

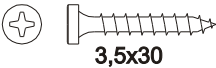
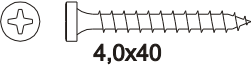
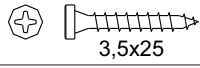
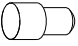
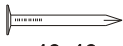
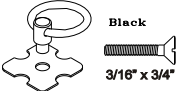

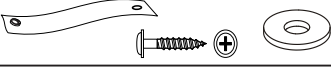
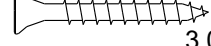
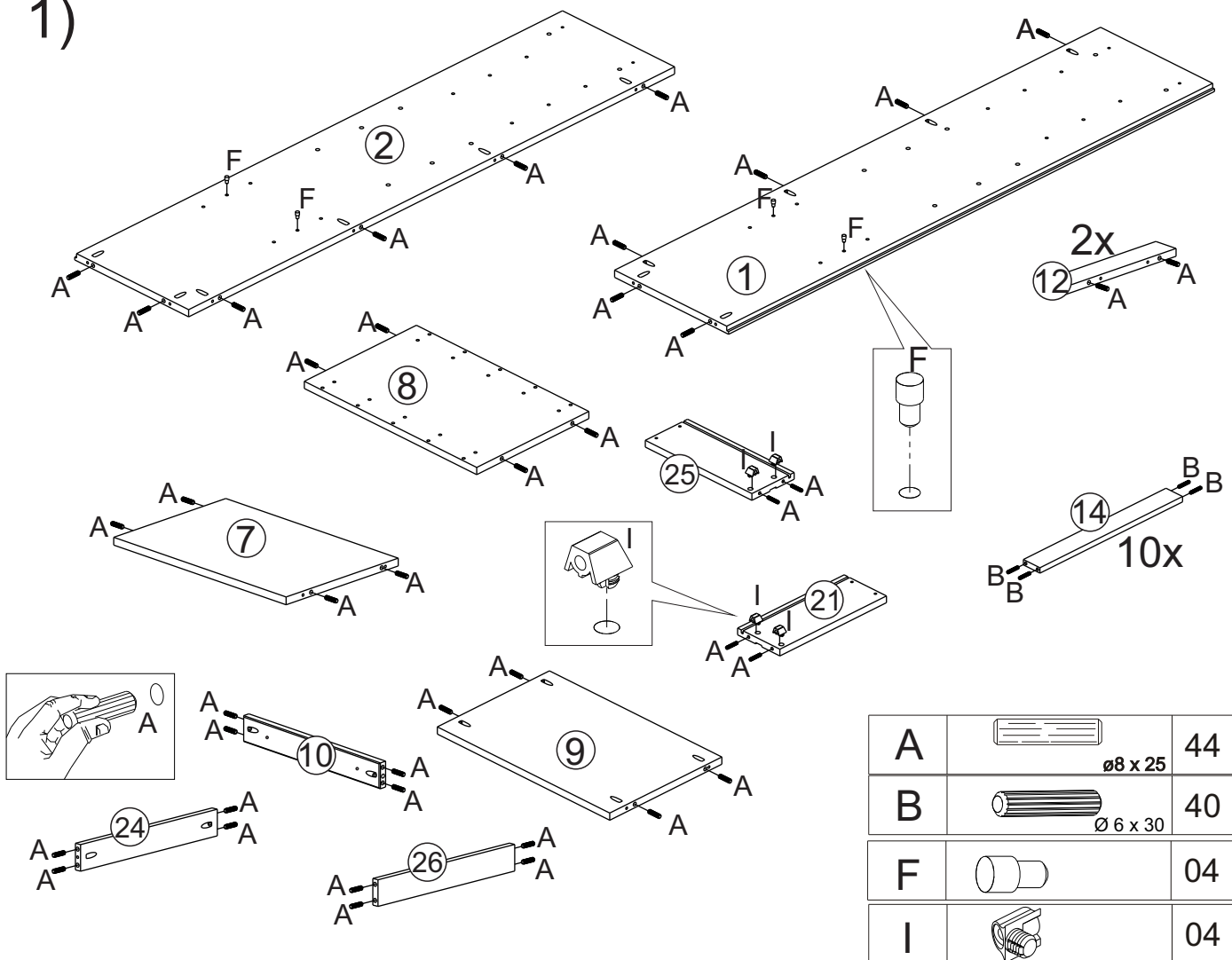


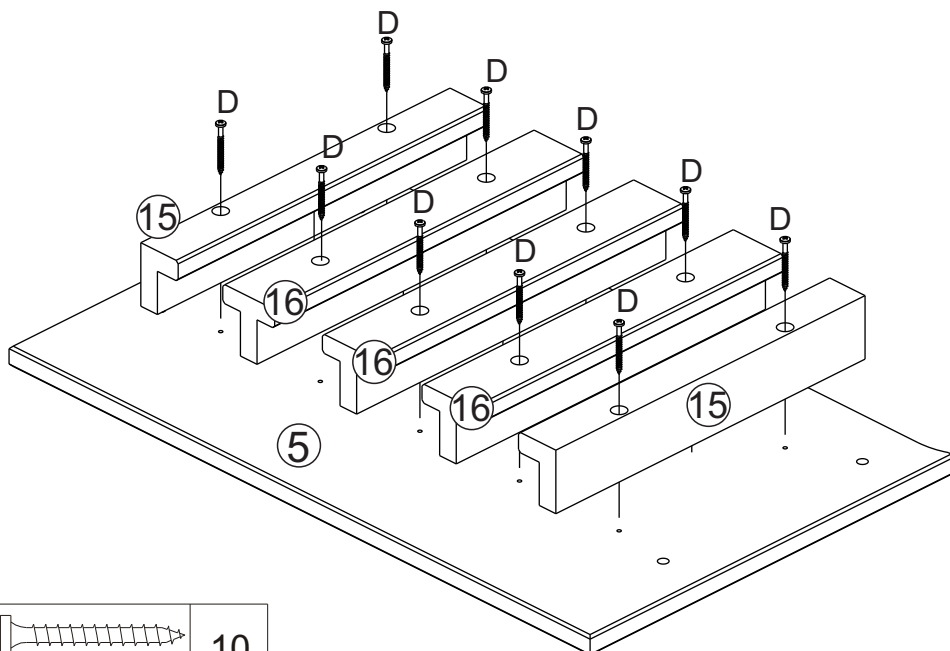



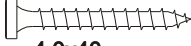
A	 Ø8 x 25	46
B	 Ø6 x 30	40
C	 3,5x30	25
D	 4,0x40	14
E	 3,5x25	12
F		16
G	 10x10	30
H	 Black 3/16" x 3/4"	01
I		04
J		01
K	 3,0x30	04

1)

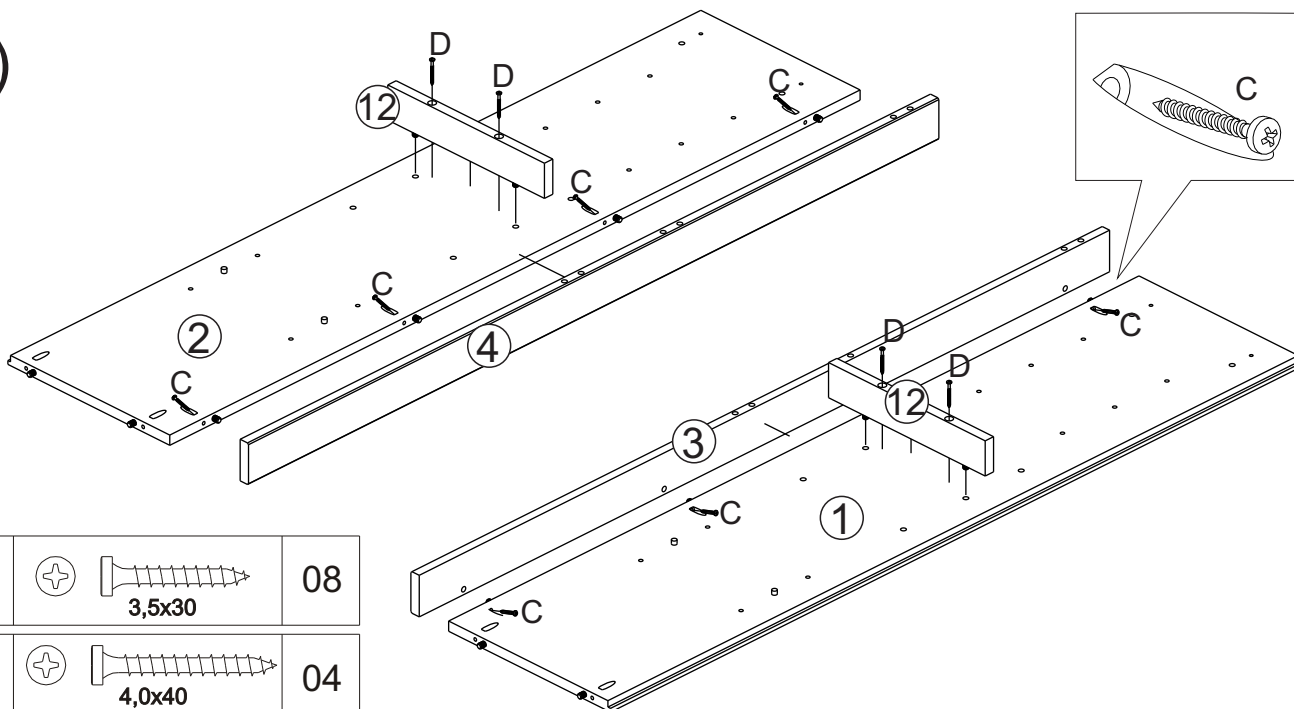



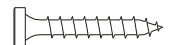
2)


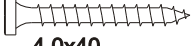


D			10
		4,0x40	

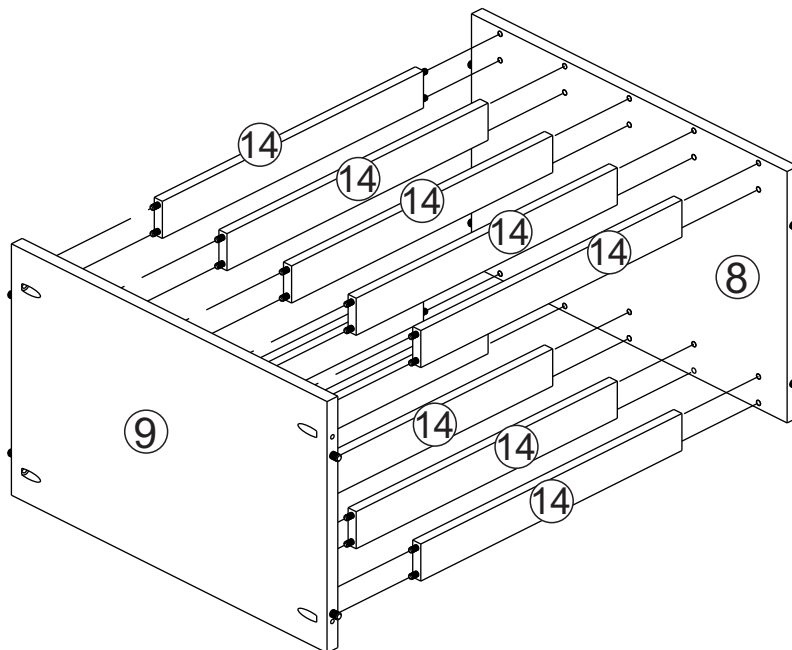
3)



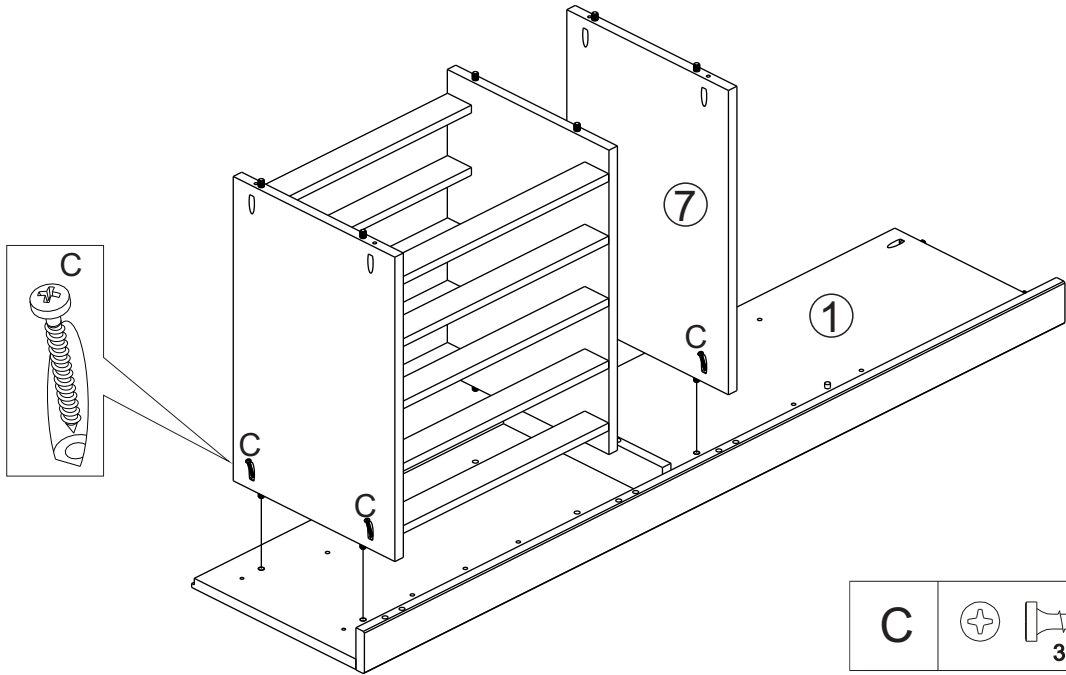
C			08
		3,5x30	

D			04
		4,0x40	

4)

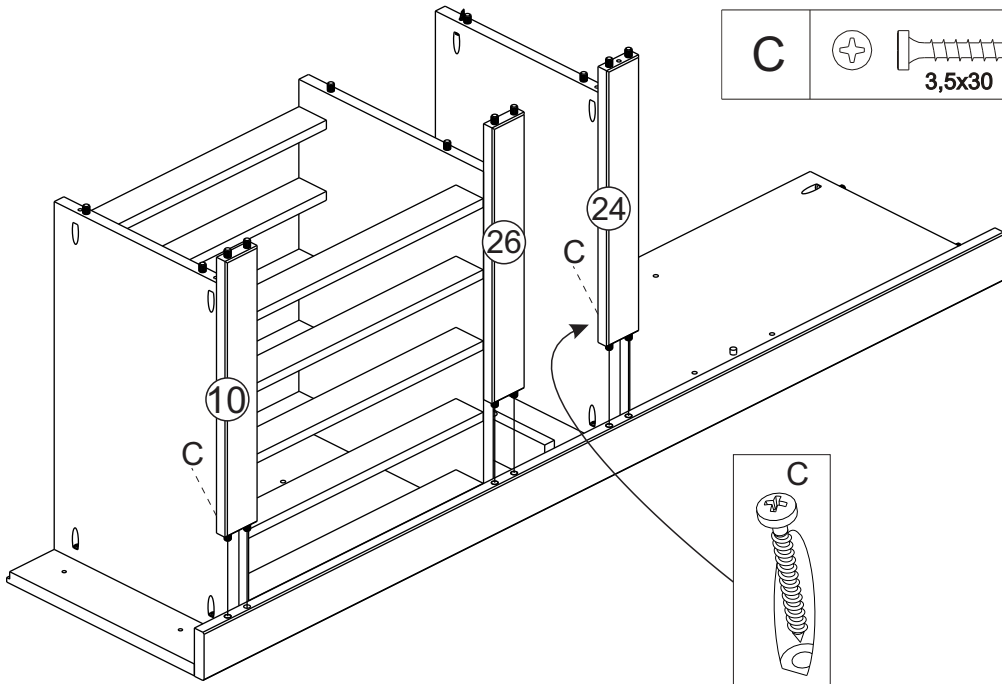


5)



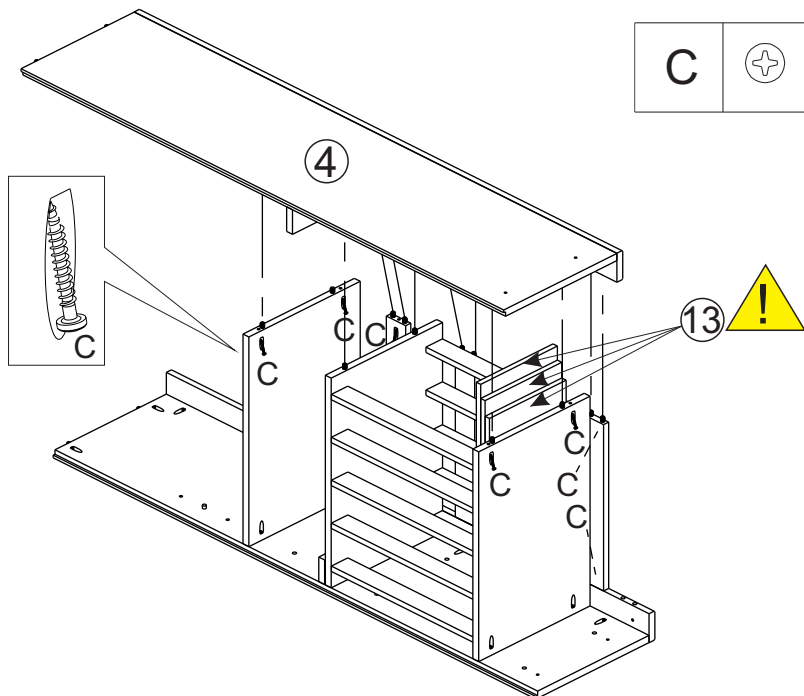
C		3,5x30	04
---	--	--------	----

6)



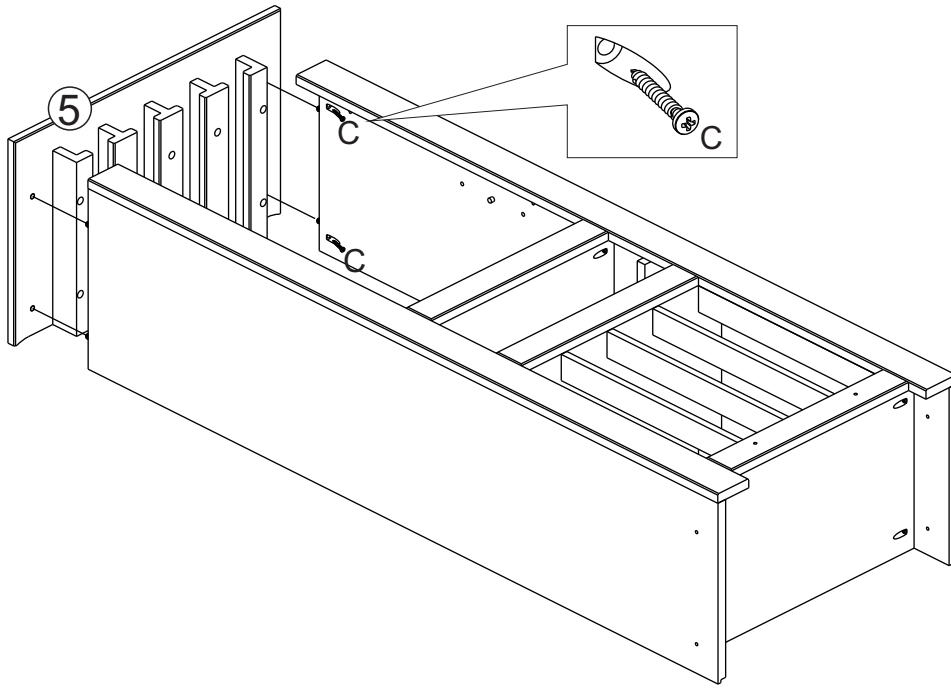
C		3,5x30	02
---	--	--------	----


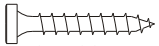
7)



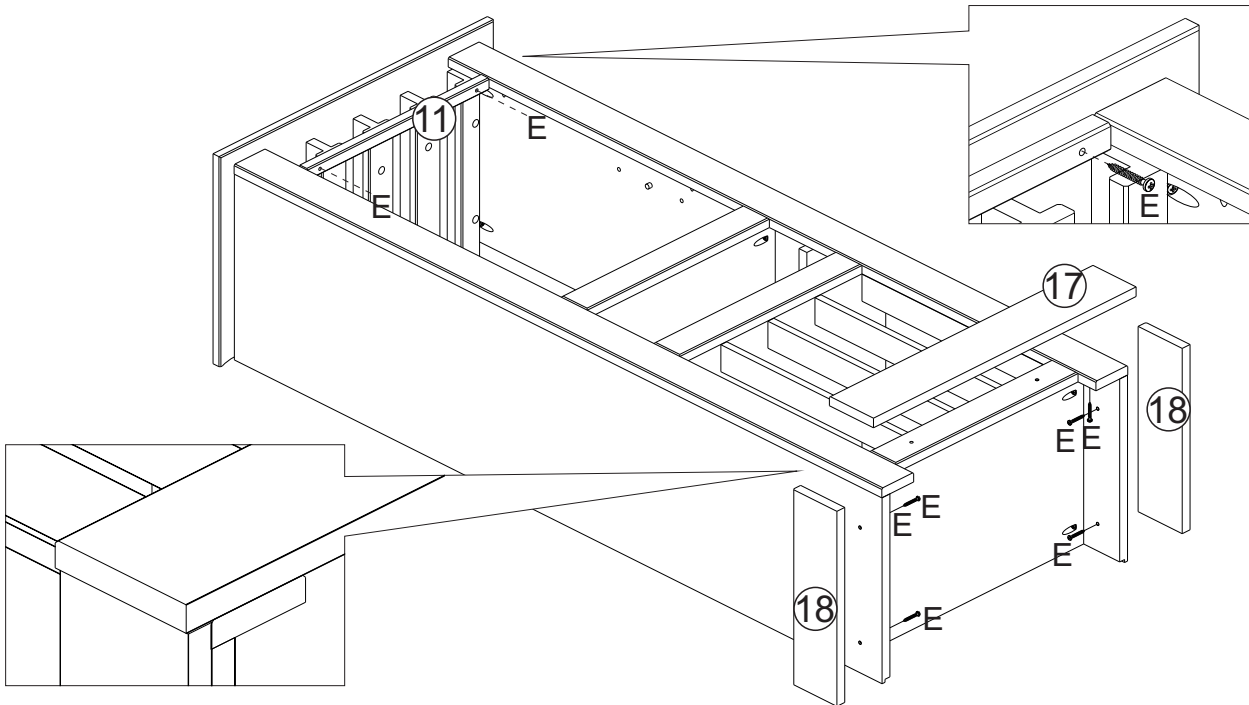
C		3,5x30	07
---	--	--------	----


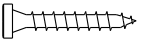
8)



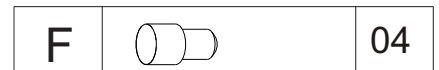
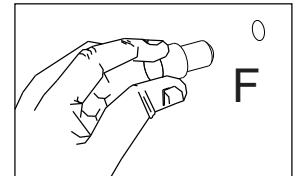
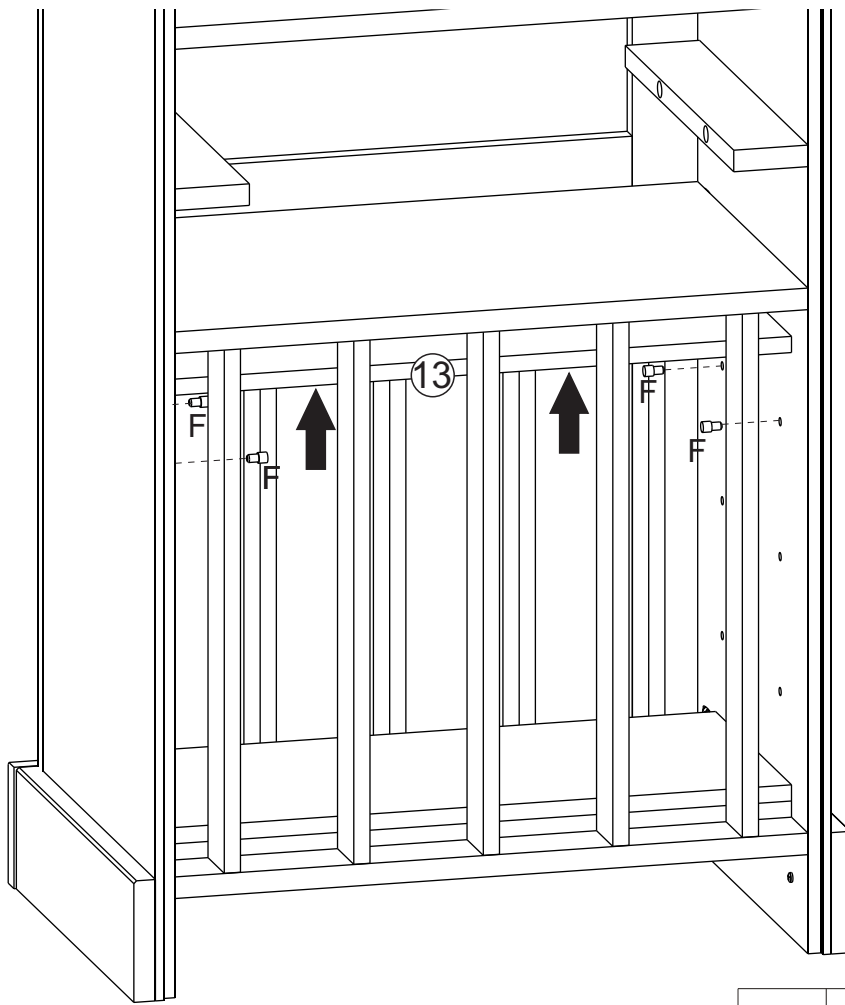
C			04
		3,5x30	

9)

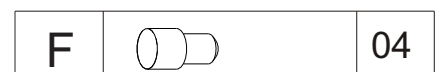
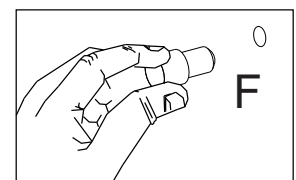
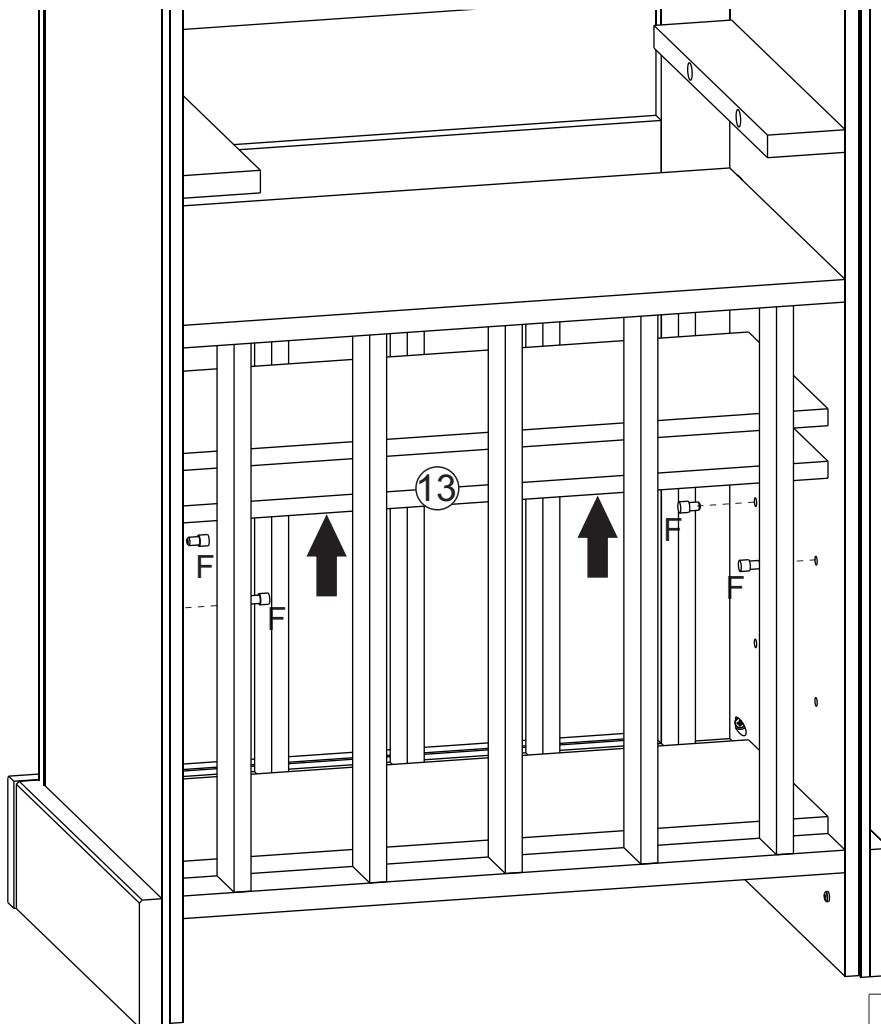


E			08
		3,5x25	

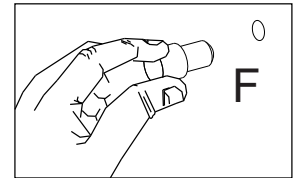
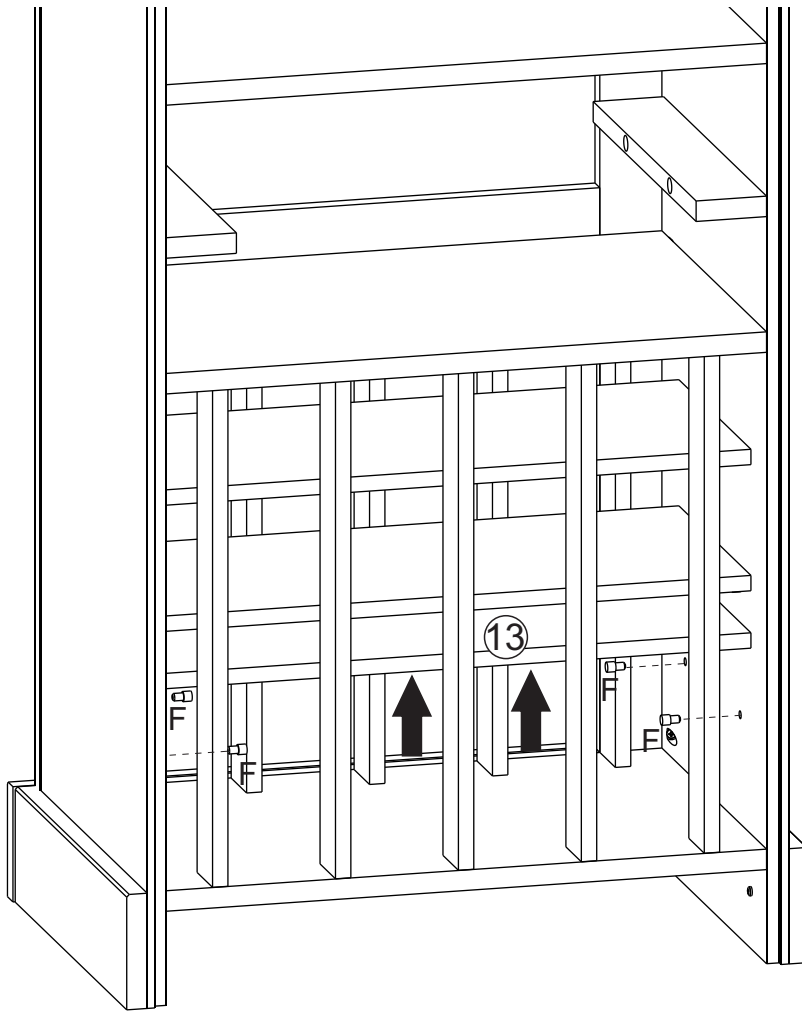
10)




11)

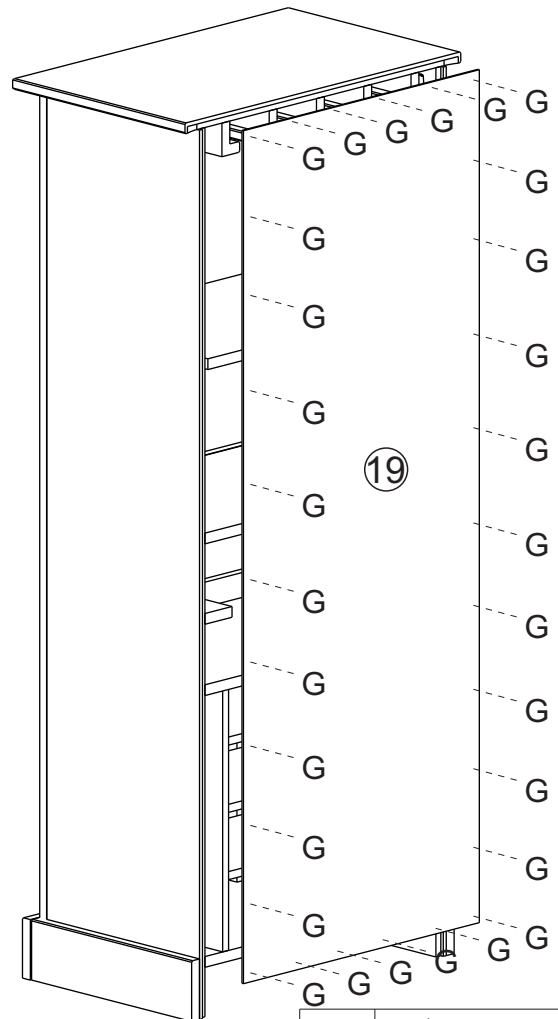
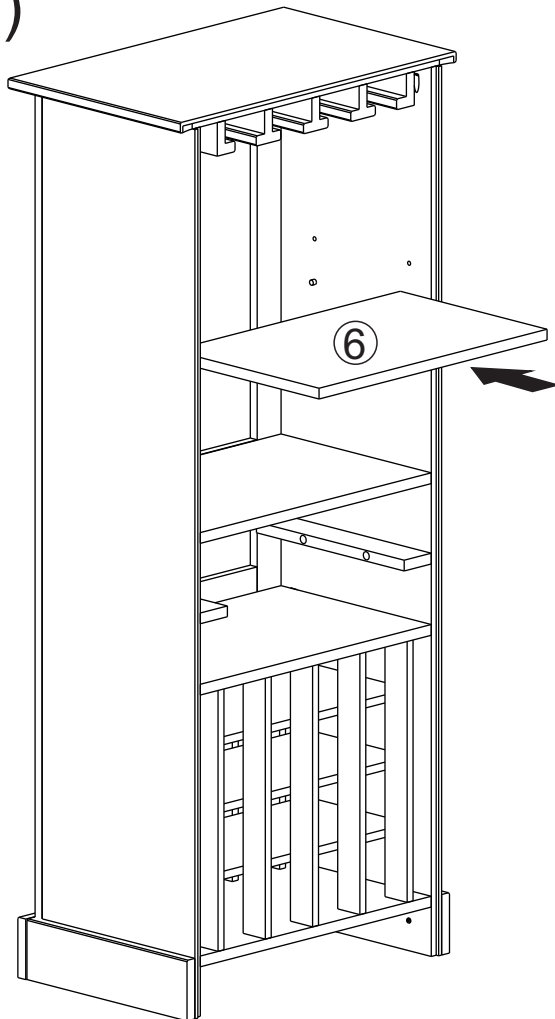



12)



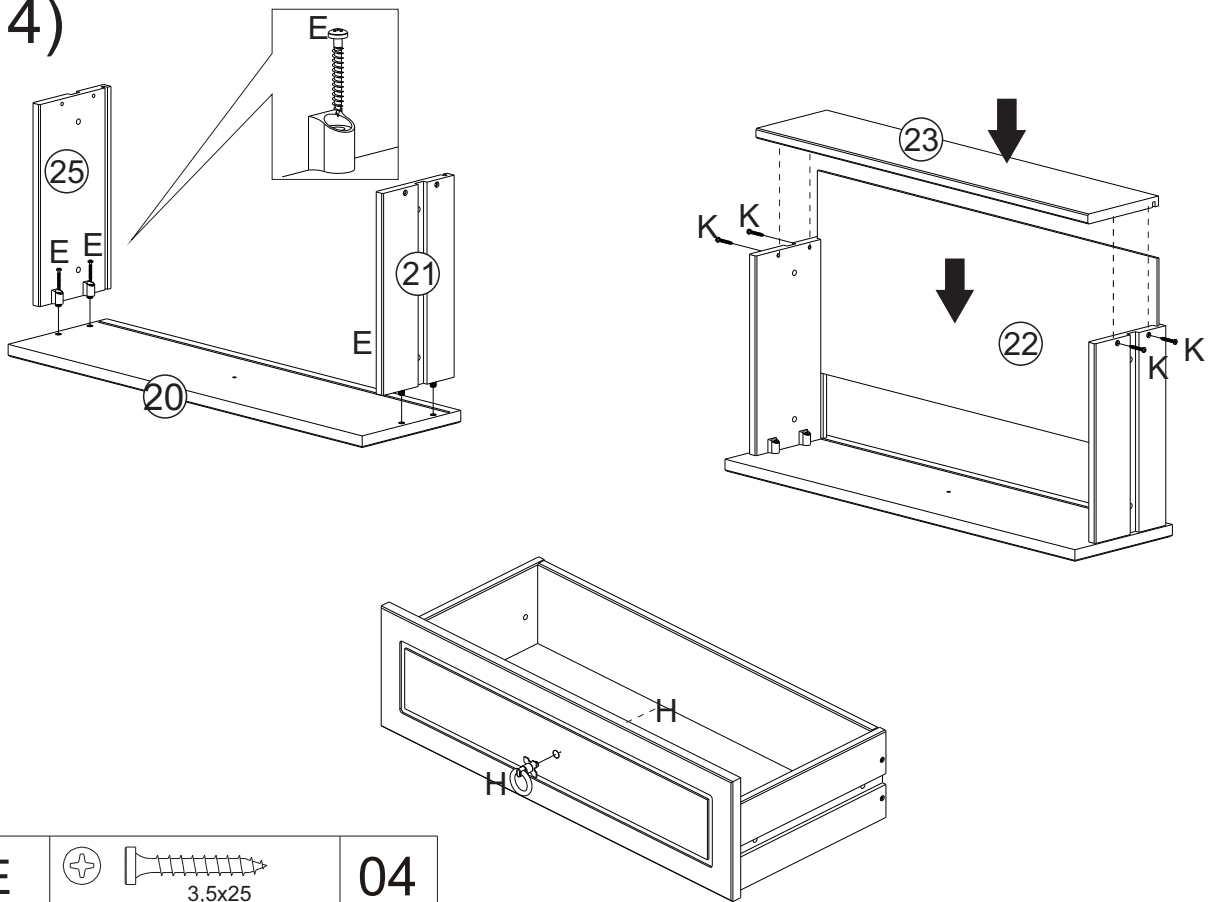
F		04
---	---	----


13)





G	 10x10	30
---	--	----

14)

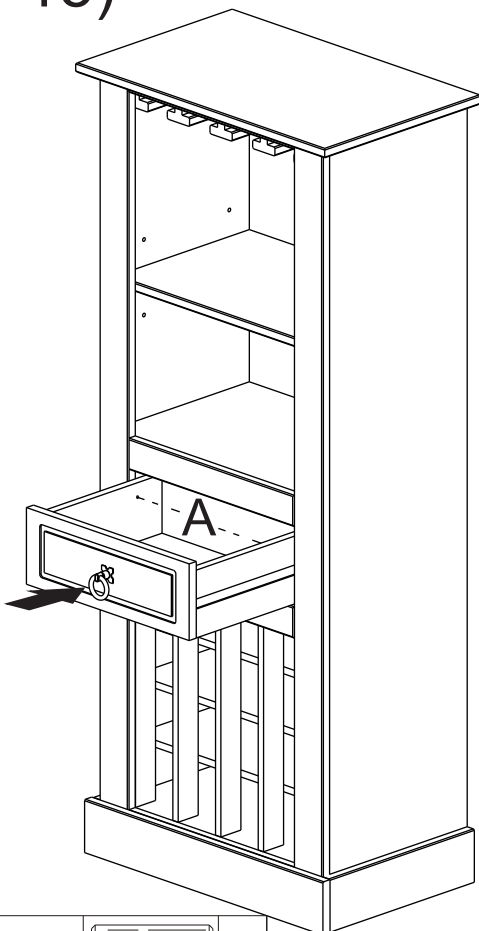


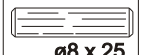
E		3,5x25	04
---	---	--------	----

H		Black 3/16" x 3/4"	01
---	---	-----------------------	----

K		3,0x30	04
---	---	--------	----

15)

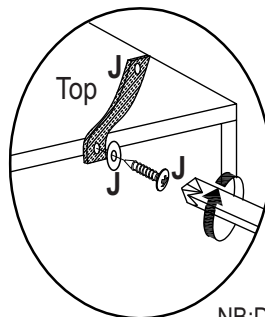


A		ø8 x 25	02
---	---	---------	----

**WARNING**

Serious or fatal injuries can occur from furniture tipping over. To prevent the furniture from tipping over we recommend that it is permanently fixed to the wall.

Wall fixings are not supplied with this product as different wall materials require different types of fixing devices. Please make sure you use fixings suitable for the walls in your home.



HARDWARE LIST	
	J - 1 X Attachment strap
	J - Wood Screw 3,5 x 22mm (1x)
	J - Washer (2x)

NB: Diagram below is a guide. Fittings shown are not included.

