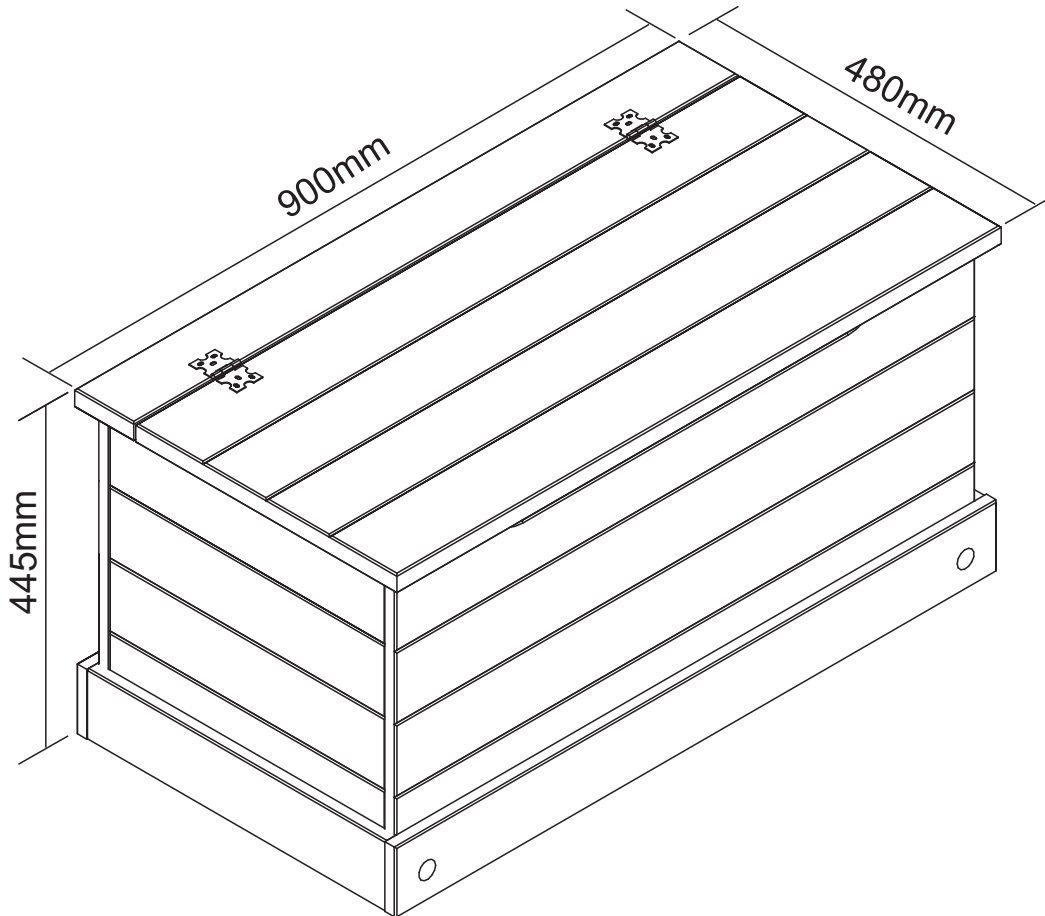



GLOBAL PROCUREMENT AND MARKETING LIMITED

OTTOMAN

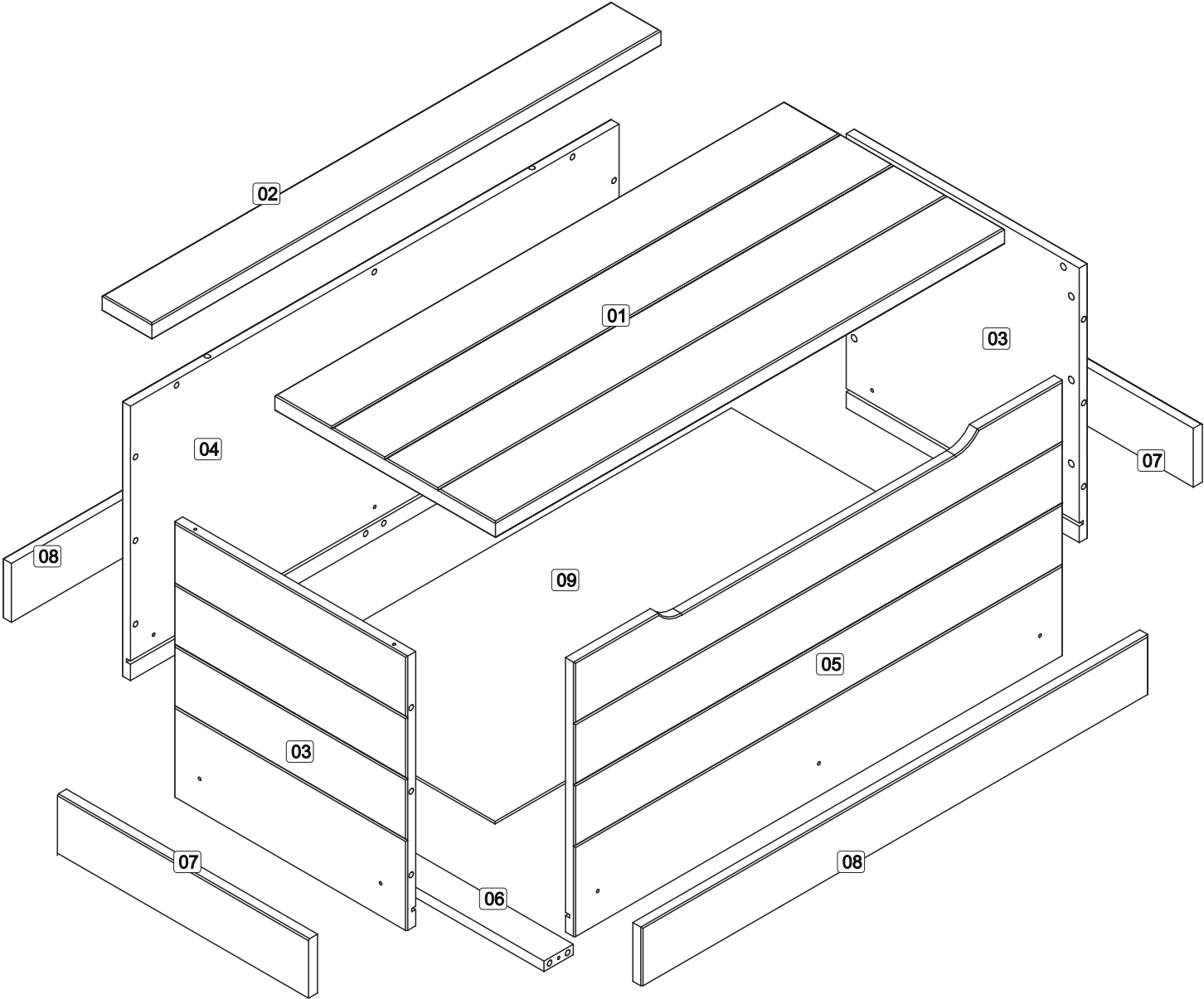
Assembly Instructions – Please keep for future reference

OTTCORGRY



Dimensions	No. people	Assembly Time	
Width: 90cm Depth: 48cm Height: 44,5cm		50 mins (approx.)	

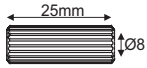
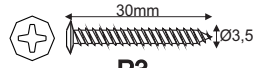
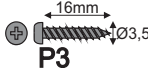
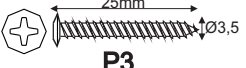

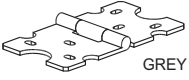
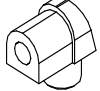

Exploded View



Components - Fixings

Please check that you have all the components listed below before constructing your item.

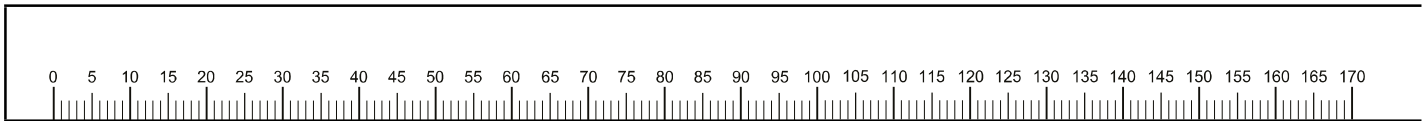
Note: The quantities below are the correct amount to complete the assembly. In some cases more fittings may be supplied than are required.

(A)  x18	(B)  P3 x02	(C)  P3 x21	(D)  P3 x27
(E)  GREY x02	(F)  GREY x02	(G)  x19	(H)  x02

Tools Required

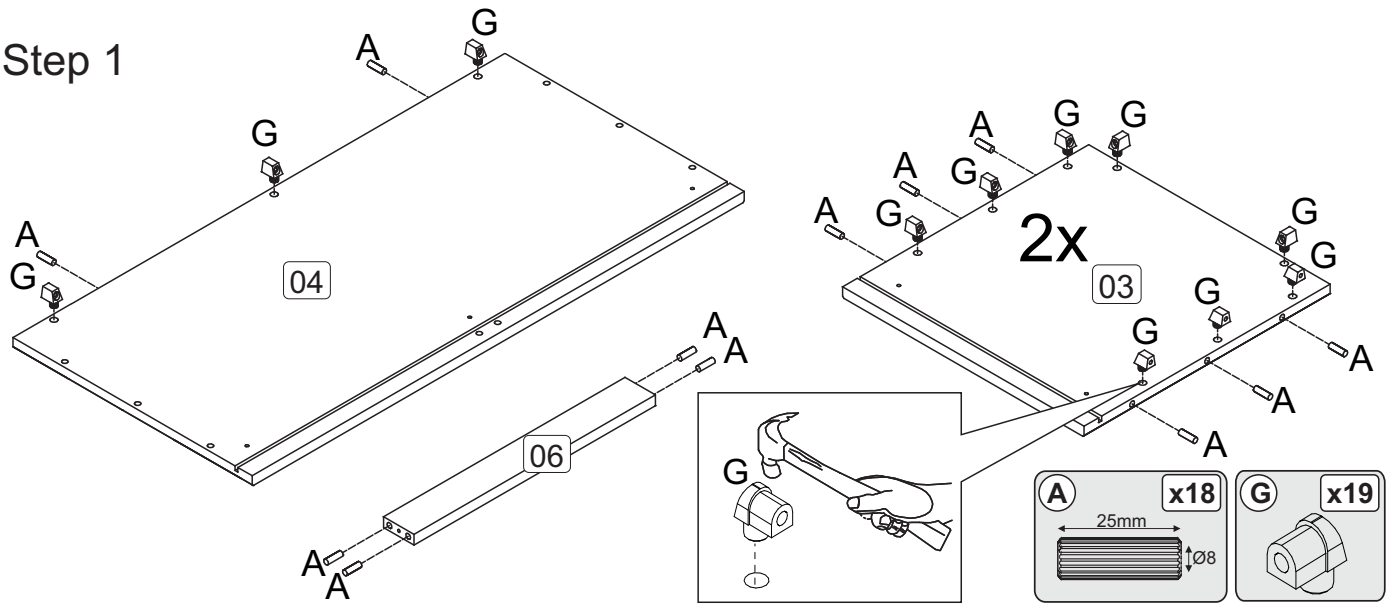


Ruler – Use this to measure your screws (mm)

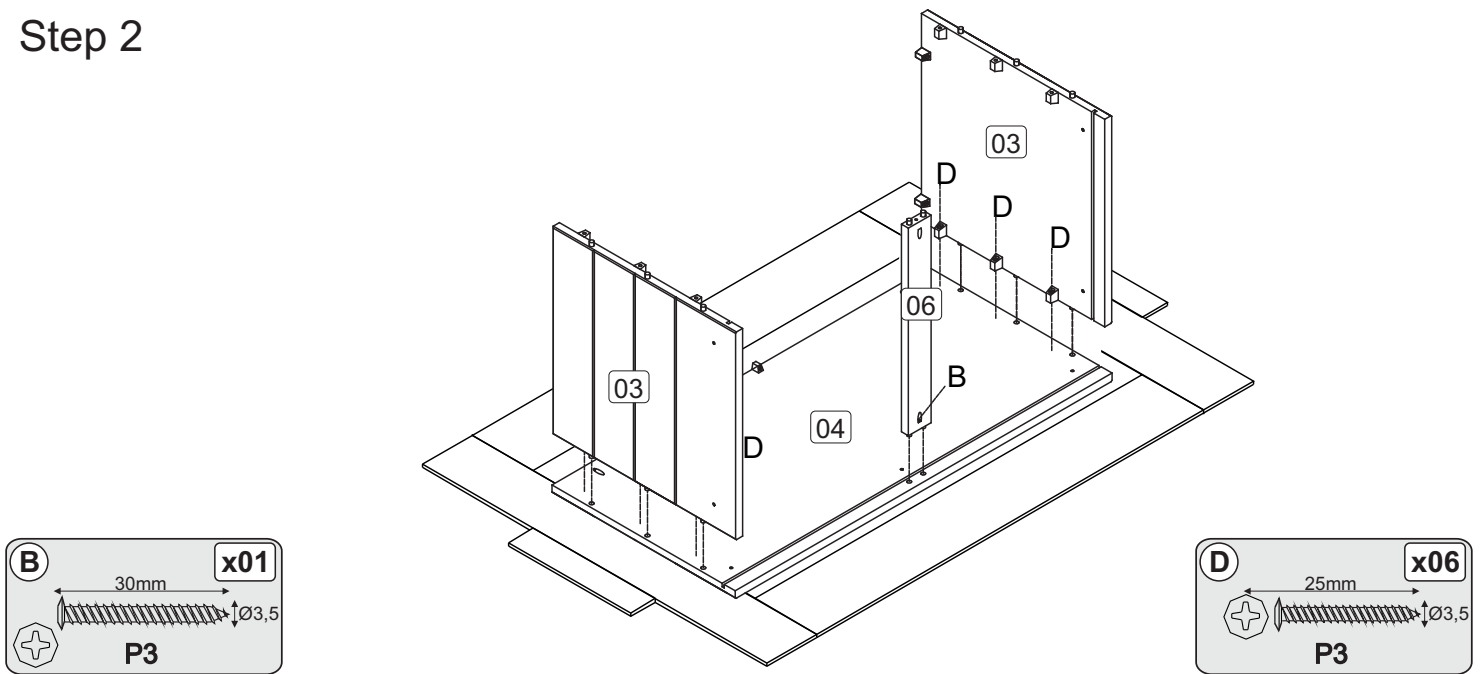


Assembly Instructions

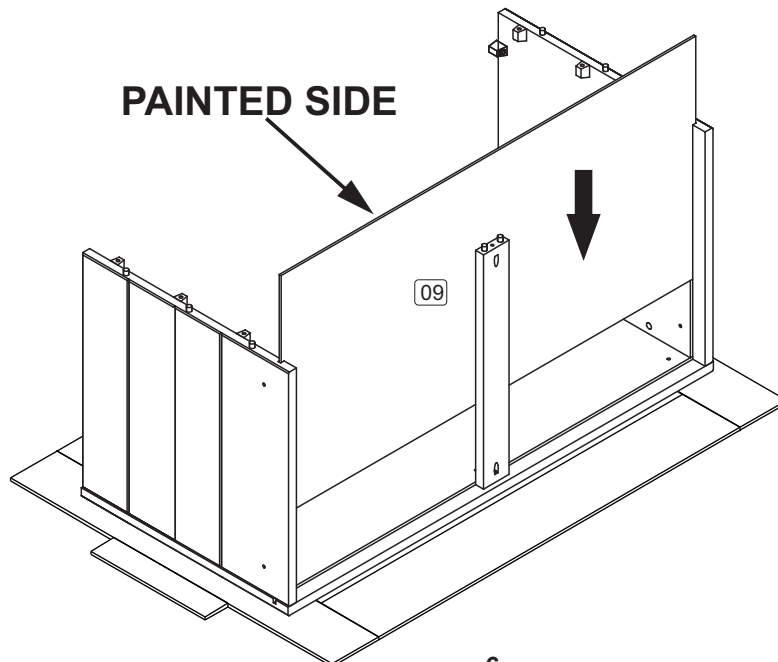
Step 1



Step 2

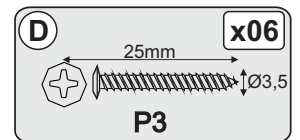
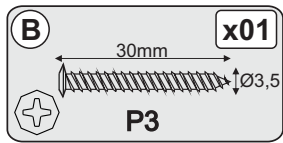
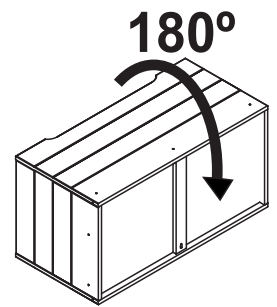
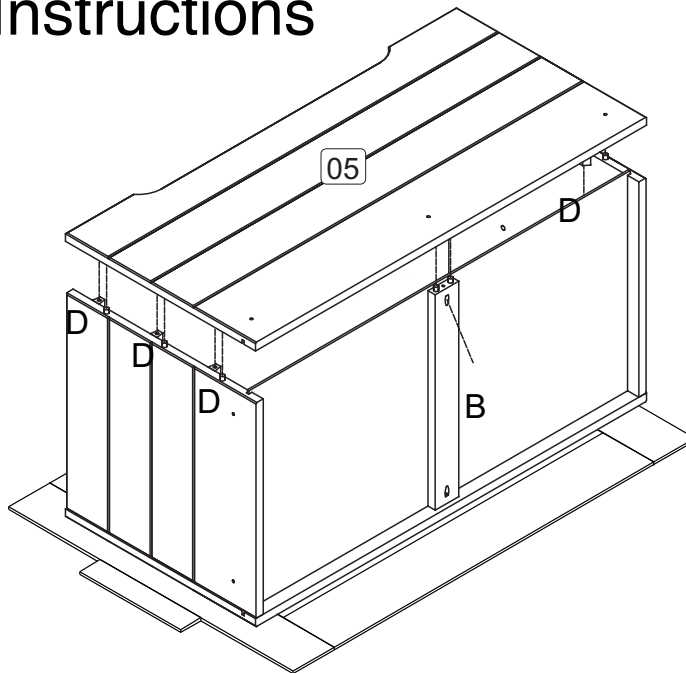


Step 3

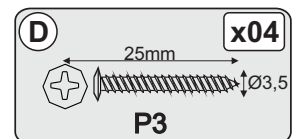
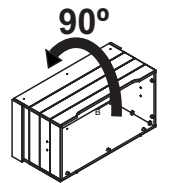
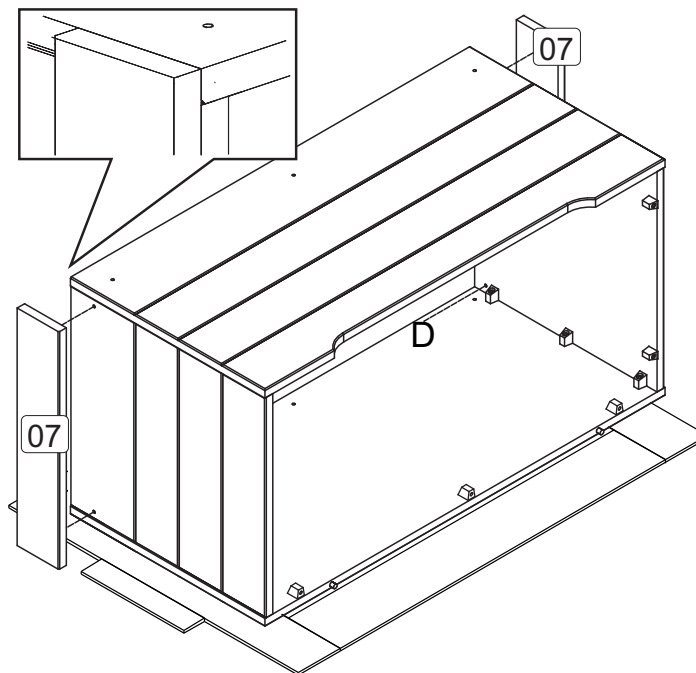


Assembly Instructions

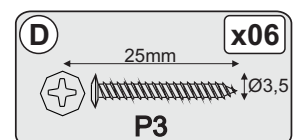
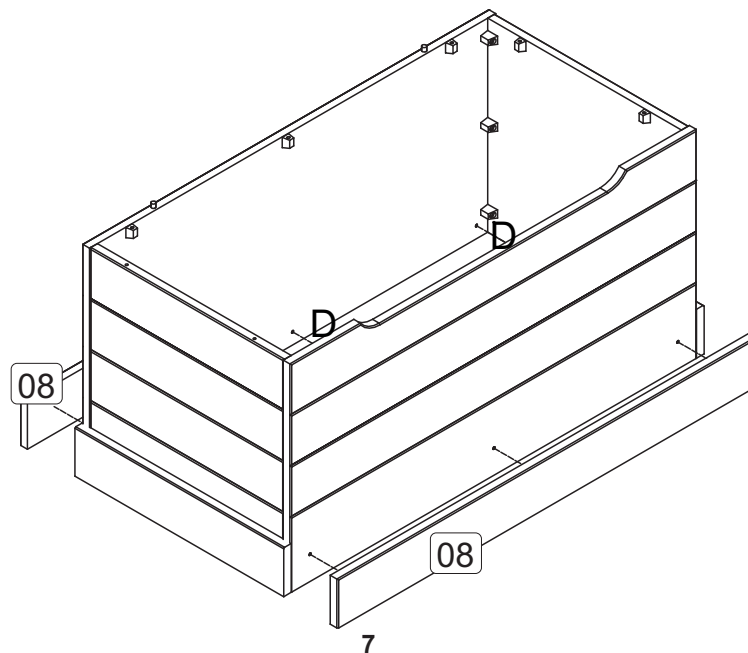
Step 4



Step 5

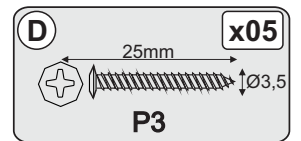
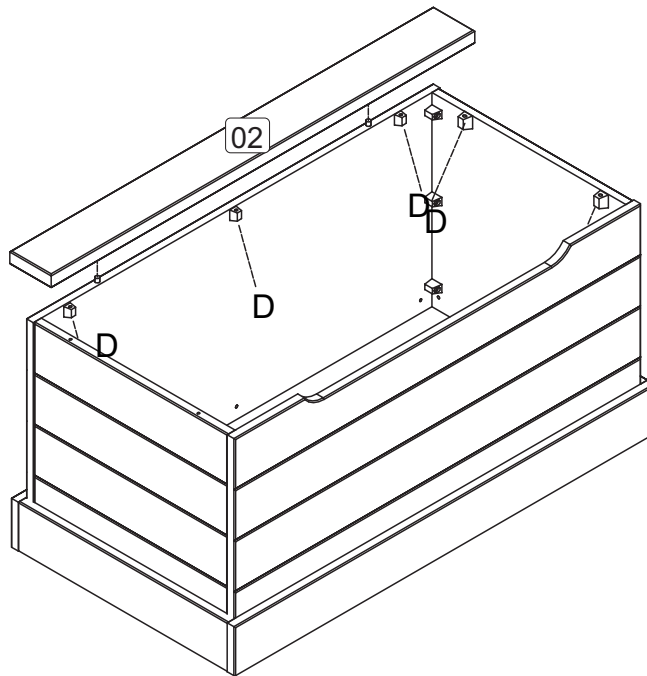


Step 6

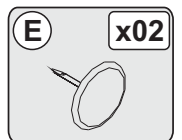
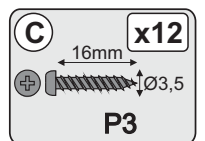
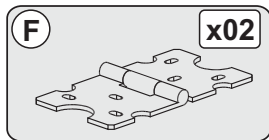
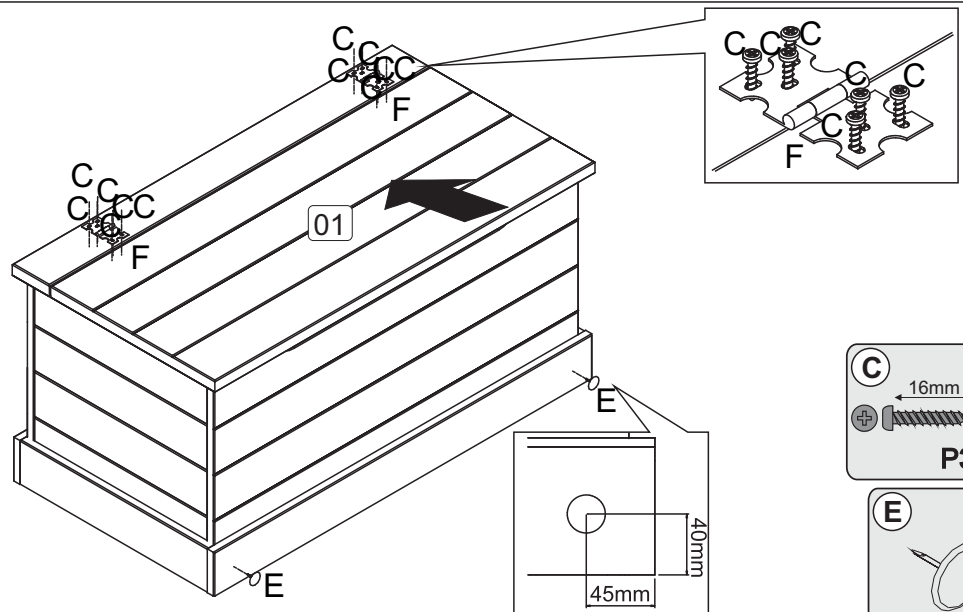


Assembly Instructions

Step 7



Step 8



Step 9

