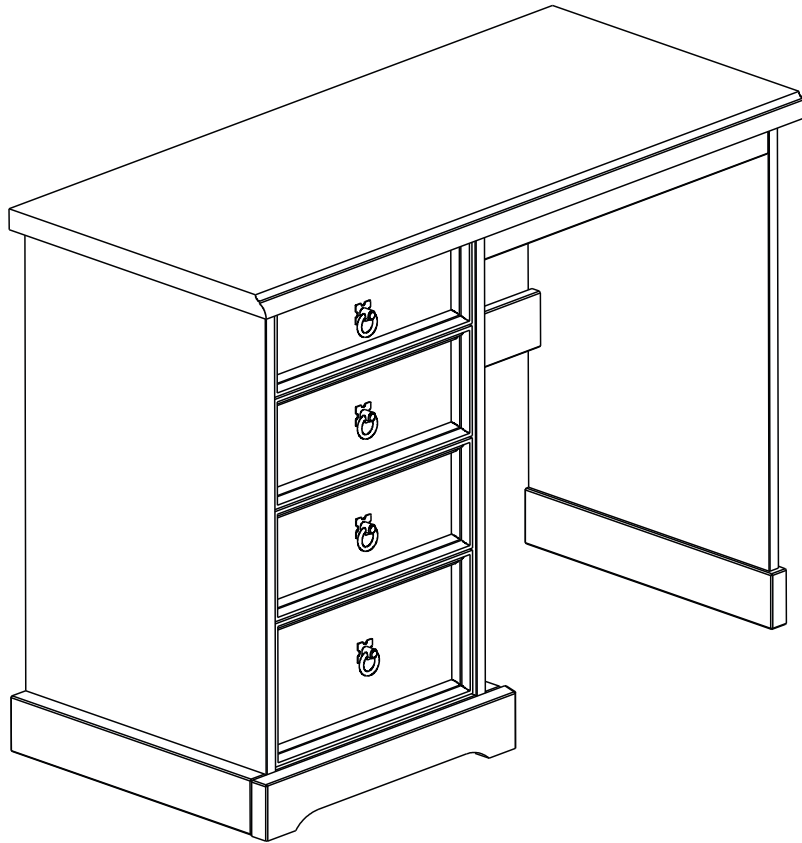


CORONA DRESSING TABLE



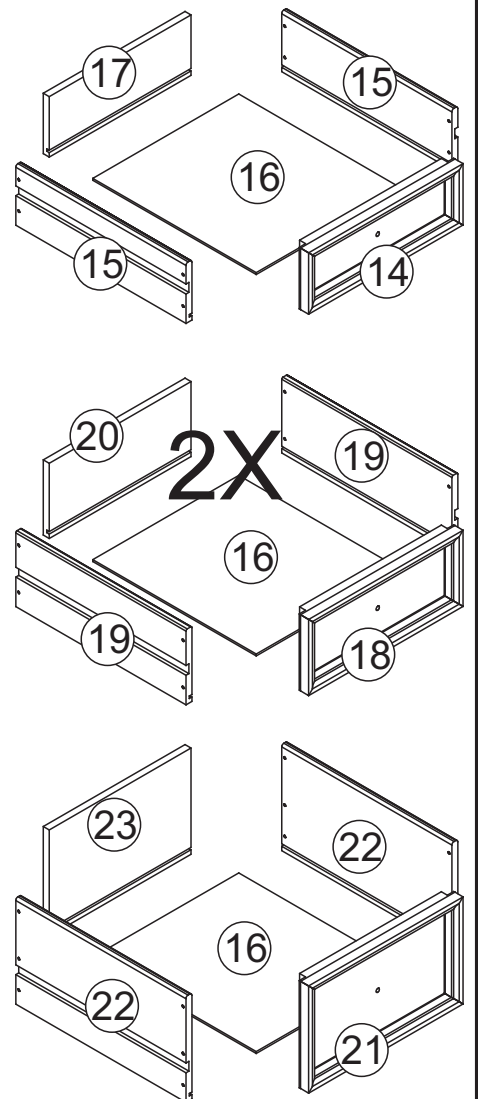
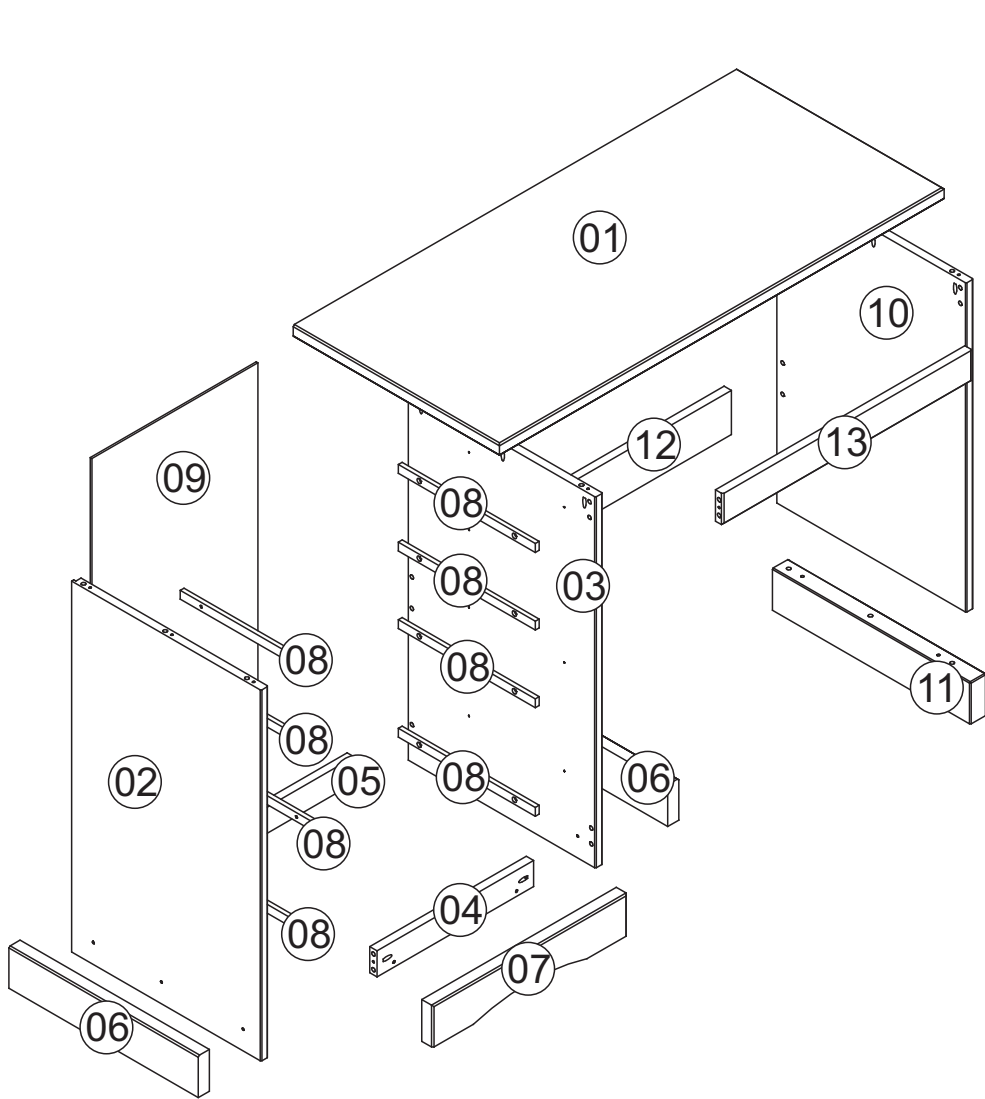
IMPORTANT

PLEASE READ BEFORE YOU CONTINUE FURTHER

CARE AND MAINTENANCE

After unpacking this product please keep the original packaging in case it needs to be returned for any reason.


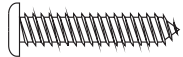


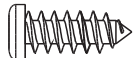
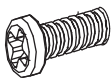
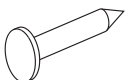
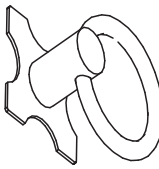
- Please ensure all fittings and parts are present before commencing with assembly.
- We recommend that you lay a blanket or sheet on the floor to avoid damage to both your floor and the product.
- We strongly recommend that you keep children away from your work area.
- Assemble this product as close to its final position as possible.
- Never drag or push products as this could cause damage to the joints making it inferior.
- Do not place this product next to a radiator or in direct sunlight.
- Wood is a natural product and may expand if subjected to damp and may shrink or crack if subjected to heat. Therefore it is recommended that room temperature is maintained, with no sudden temperature fluctuations.
- Make sure any spillage is wiped off immediately.
- Do not place hot or chilled items directly on to the surface, use a place mat or marking will occur.
- For general cleaning use a duster, and do not use detergents of any kind. However, the surface will need to be retreated from time to time. This can be done by using block wax (unperfumed) and rubbing it over the whole item.
- From time to time it may be necessary to tighten fittings, regular inspections should be carried out.


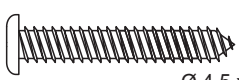




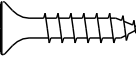



Parts List

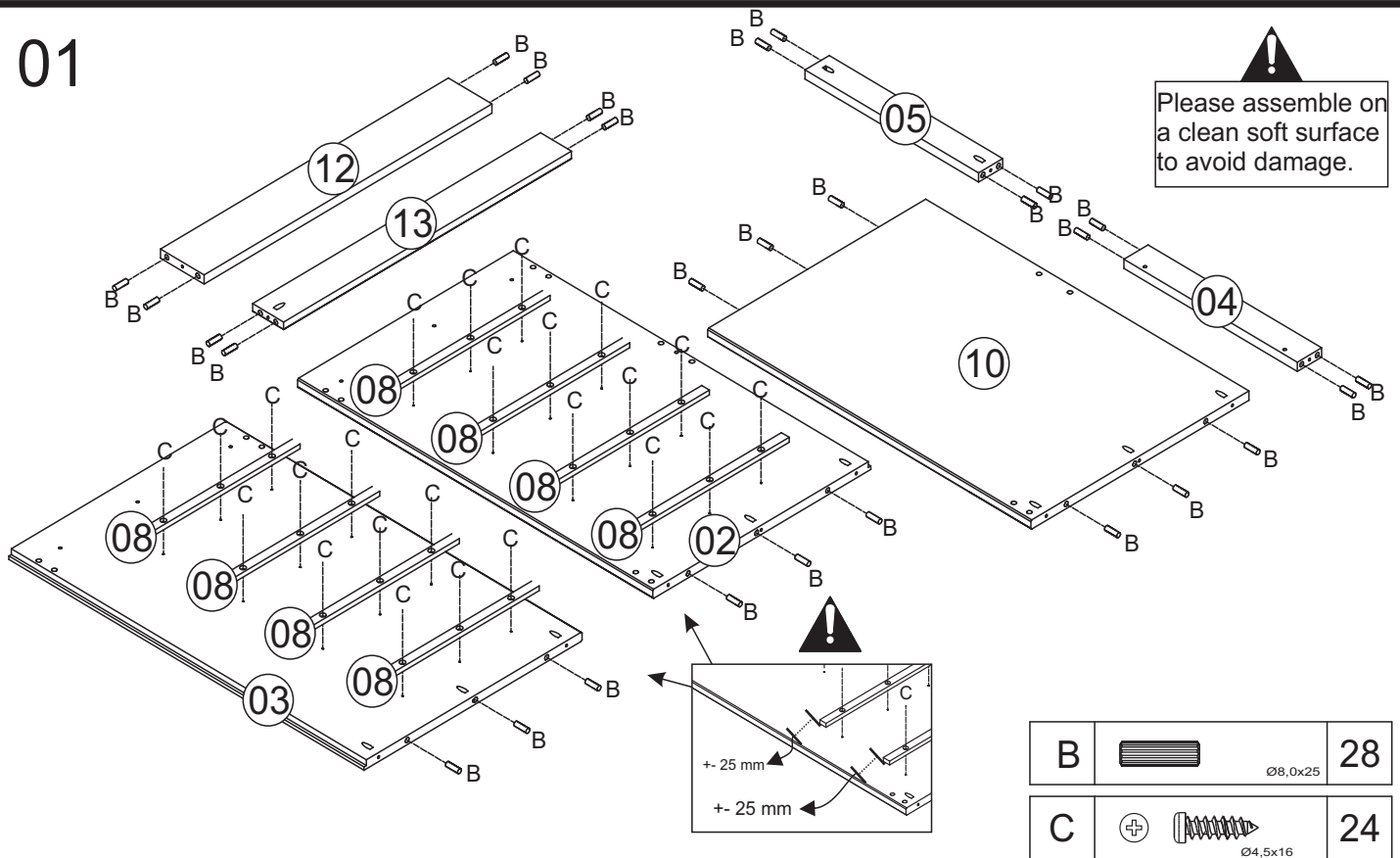
1	Top	01
2	Left Side Panel	01
3	Midle Left	01
4	Front Plate	01
5	Back Crossbeam	01
6	Side Foot	02
7	Front Foot	01
8	Drawer Runner	08
9	Back Panel	01
10	Right Side Panel	01
11	Foot	01



12	Long Cross Back	01
13	Long Front Plate	01
14	Small Drawer Front	01
15	Small Drawer Side	02
16	Drawer Bottom	04
17	Small Drawer Back	01
18	Drawer Front	02
19	Drawer Side	04
20	Drawer Back	02
21	Larg Drawer Front	01
22	Larg Drawer Side	02
23	Larg Drawer Back	01

A	  $\varnothing 3,5 \times 30$	25
B	 $\varnothing 8,0 \times 25$	28
C	  $\varnothing 4,5 \times 16$	24
D	 $3/16 \times 5/8$	04
E	 08×08	14
F		04

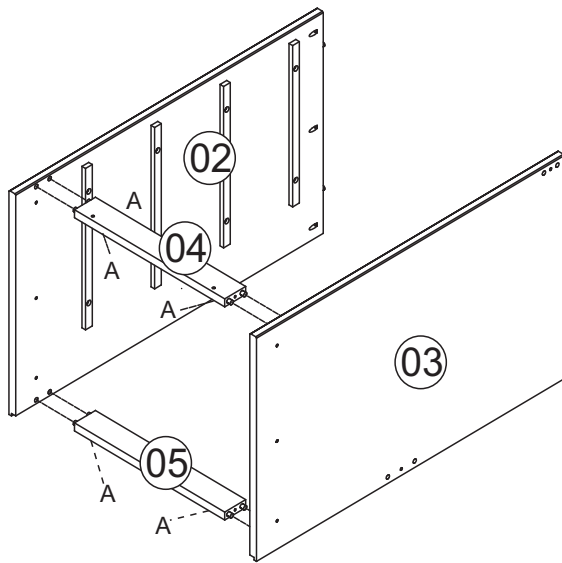
G	  $\varnothing 4,5 \times 50$	03
H	  $\varnothing 3,0 \times 30$	36
I		01
J	  $3,5 \times 22 \text{ CC}$	01
K		02

01




B		Ø8,0x25	28
C		Ø4,5x16	24

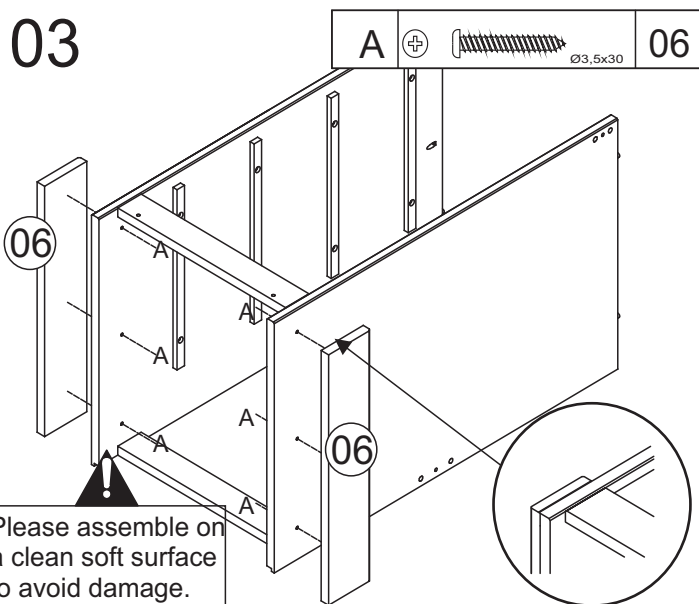
02



! Please assemble on a clean soft surface to avoid damage.

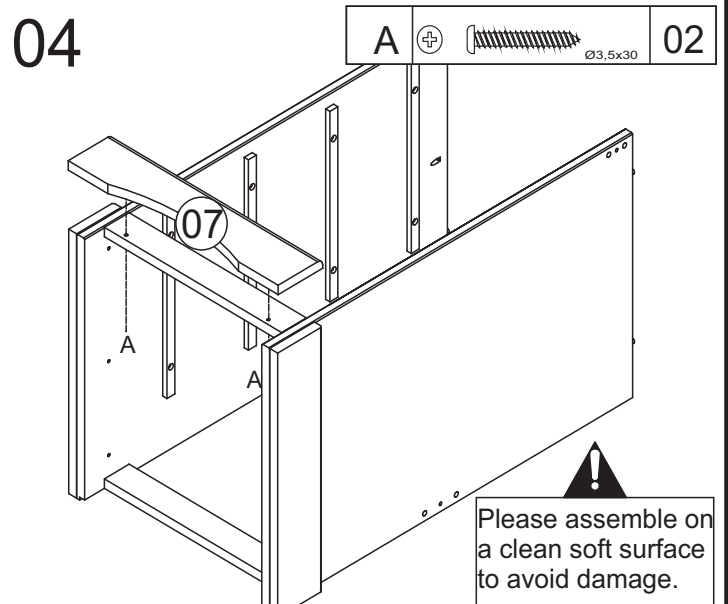
A		Ø3,5x30	04
---	---	---------	----

03




! Please assemble on a clean soft surface to avoid damage.

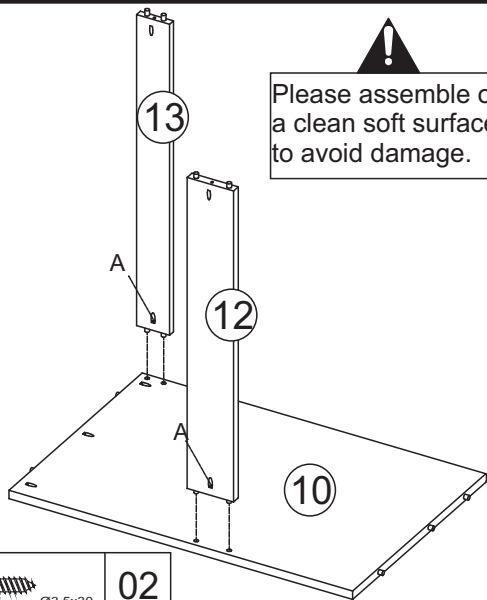
04



! Please assemble on a clean soft surface to avoid damage.

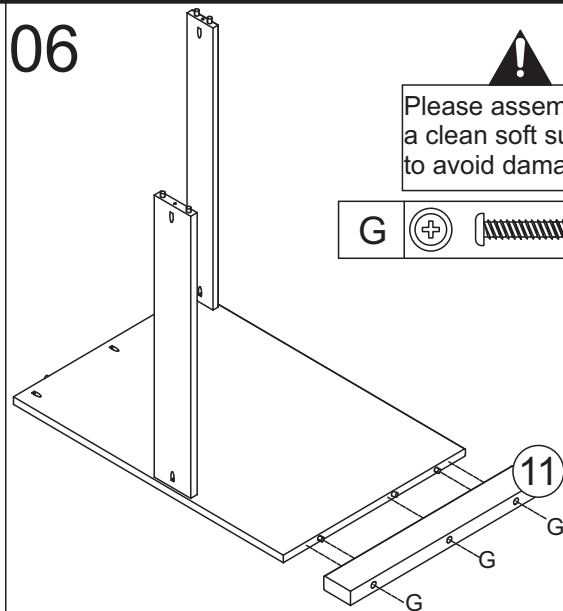
A		Ø3,5x30	02
---	---	---------	----

05

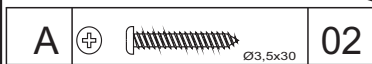
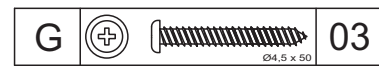


⚠
Please assemble on
a clean soft surface
to avoid damage.

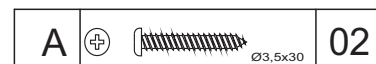
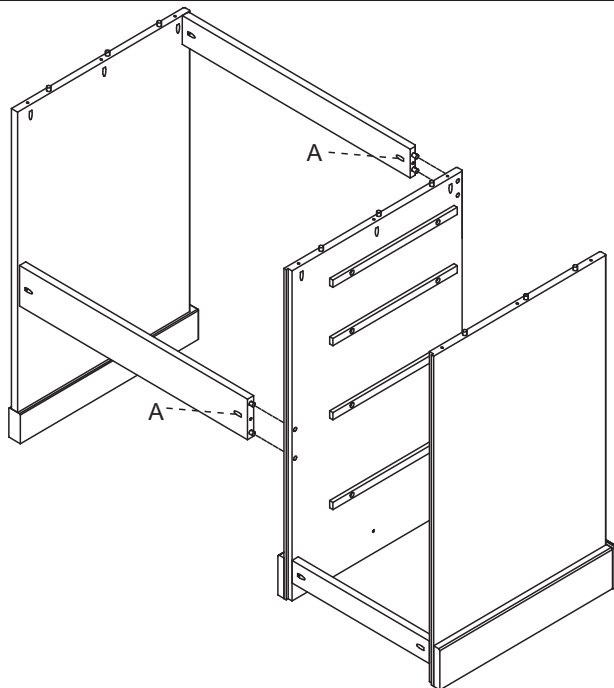
06



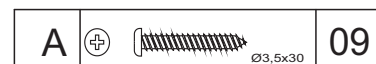
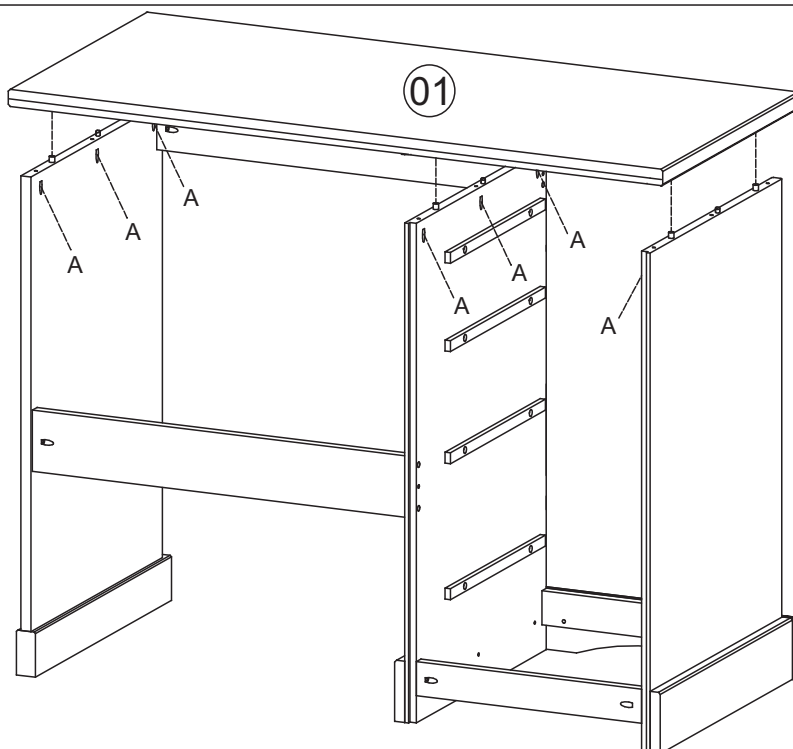
⚠
Please assemble on
a clean soft surface
to avoid damage.



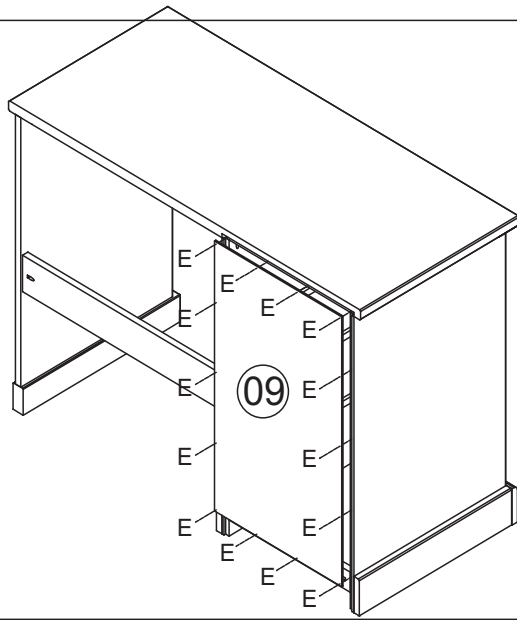
07



08

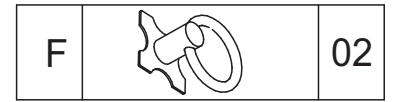
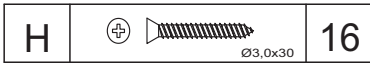
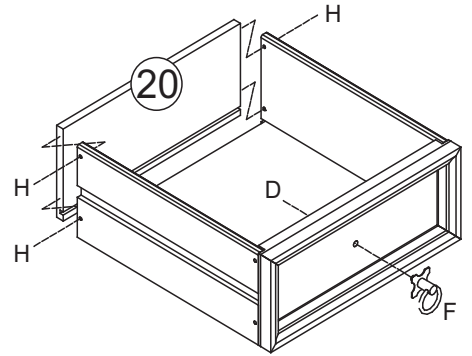
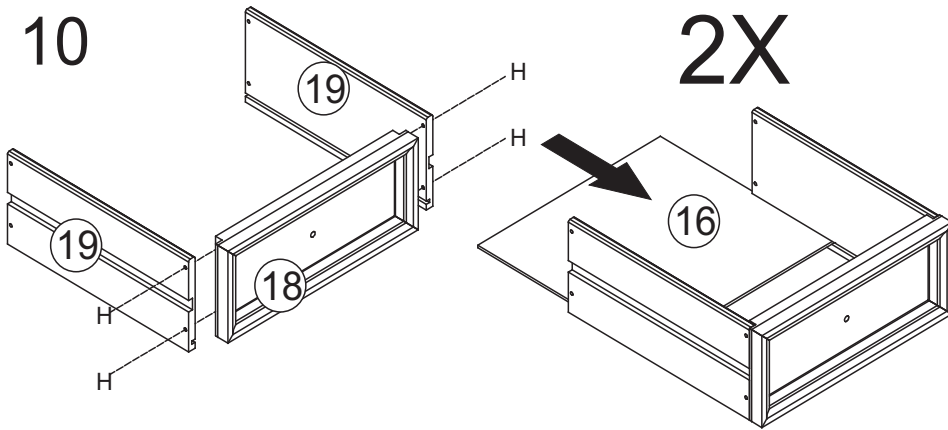


09

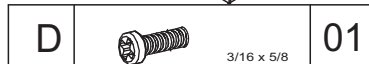
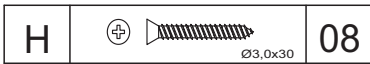
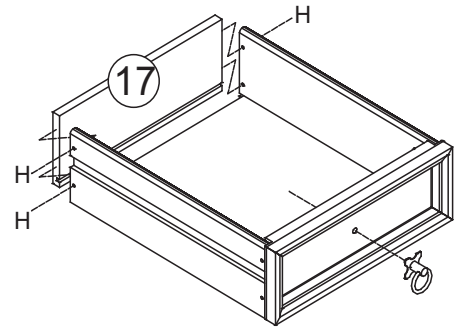
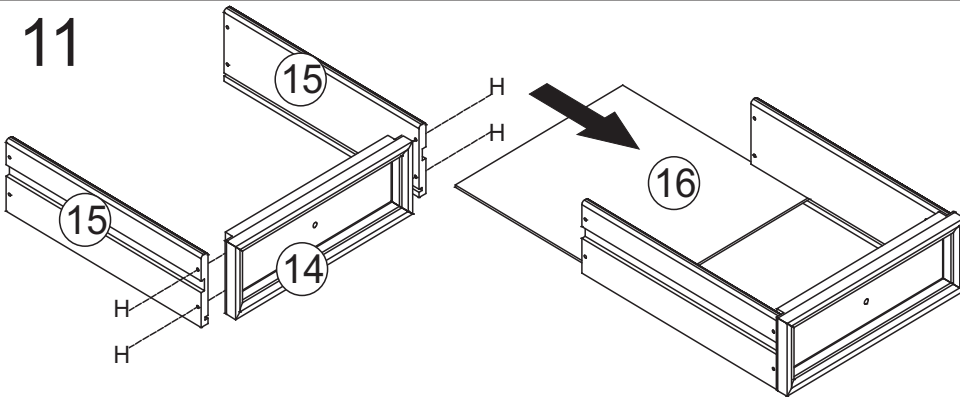


10

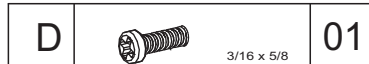
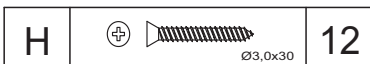
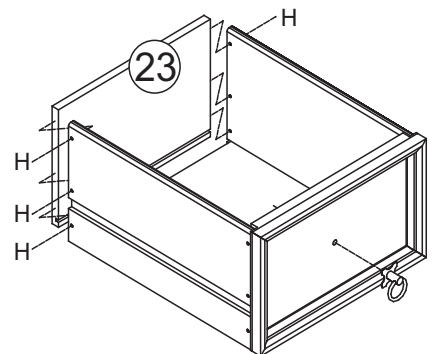
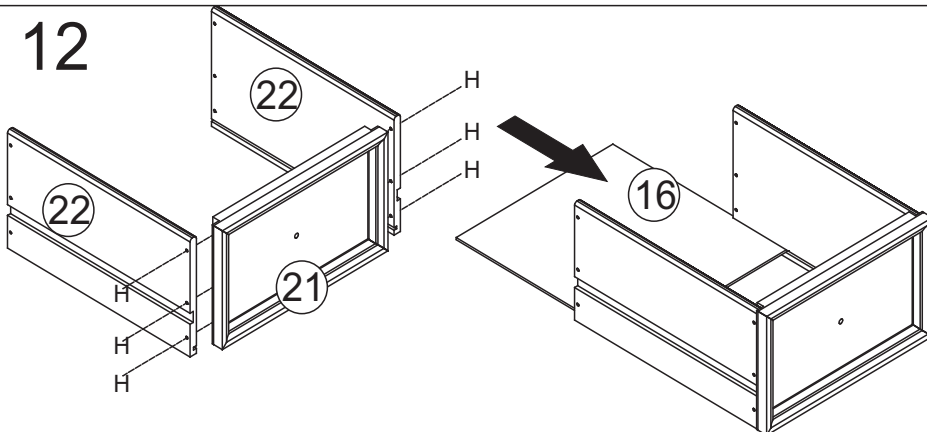
2X

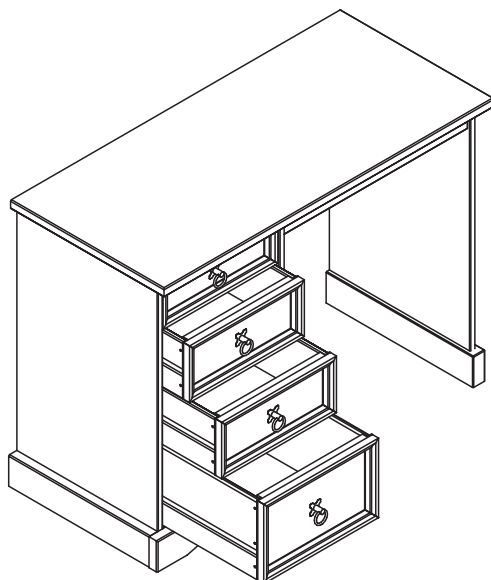


11



12



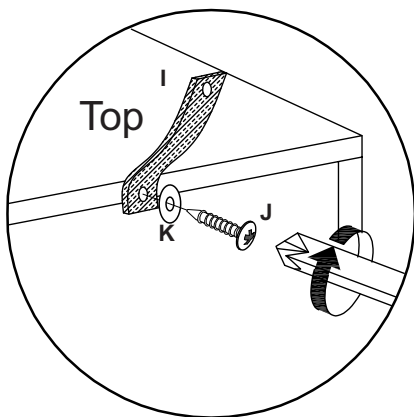


ANTI-TIP SAFETY

There is a risk of injury where furniture can tip over if not properly secured to the wall behind. We highly recommend that you install fixing kit.

Please Note: Fittings and instructions are included only for the attachment to product as different wall materials and may require different types of fixing hardware.

Please make sure you use fixings suitable for the internal walls.



HARDWARE LIST



I- 1 X Attachment strap



J- Wood Screw
3,5 x 22mm (1x)

K-Washer
(2x)



NB:Diagram below is a guide.
Fittings shown are not included.

