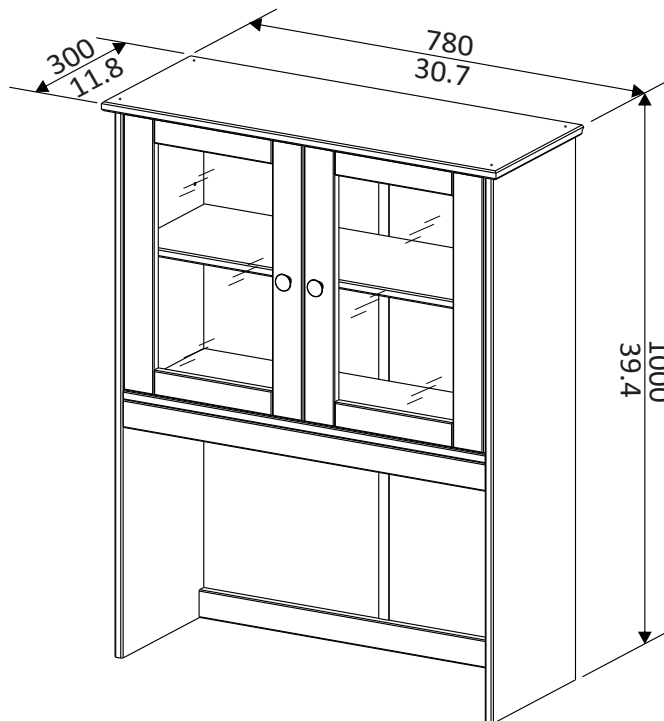
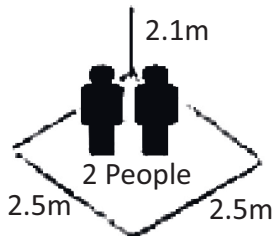


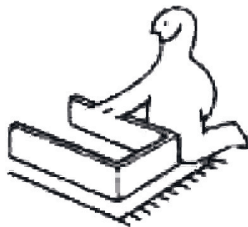
mm  
inch



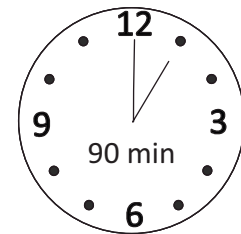
1



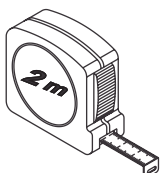
2



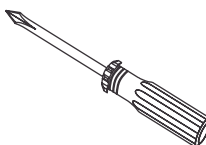
3



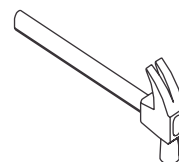
1

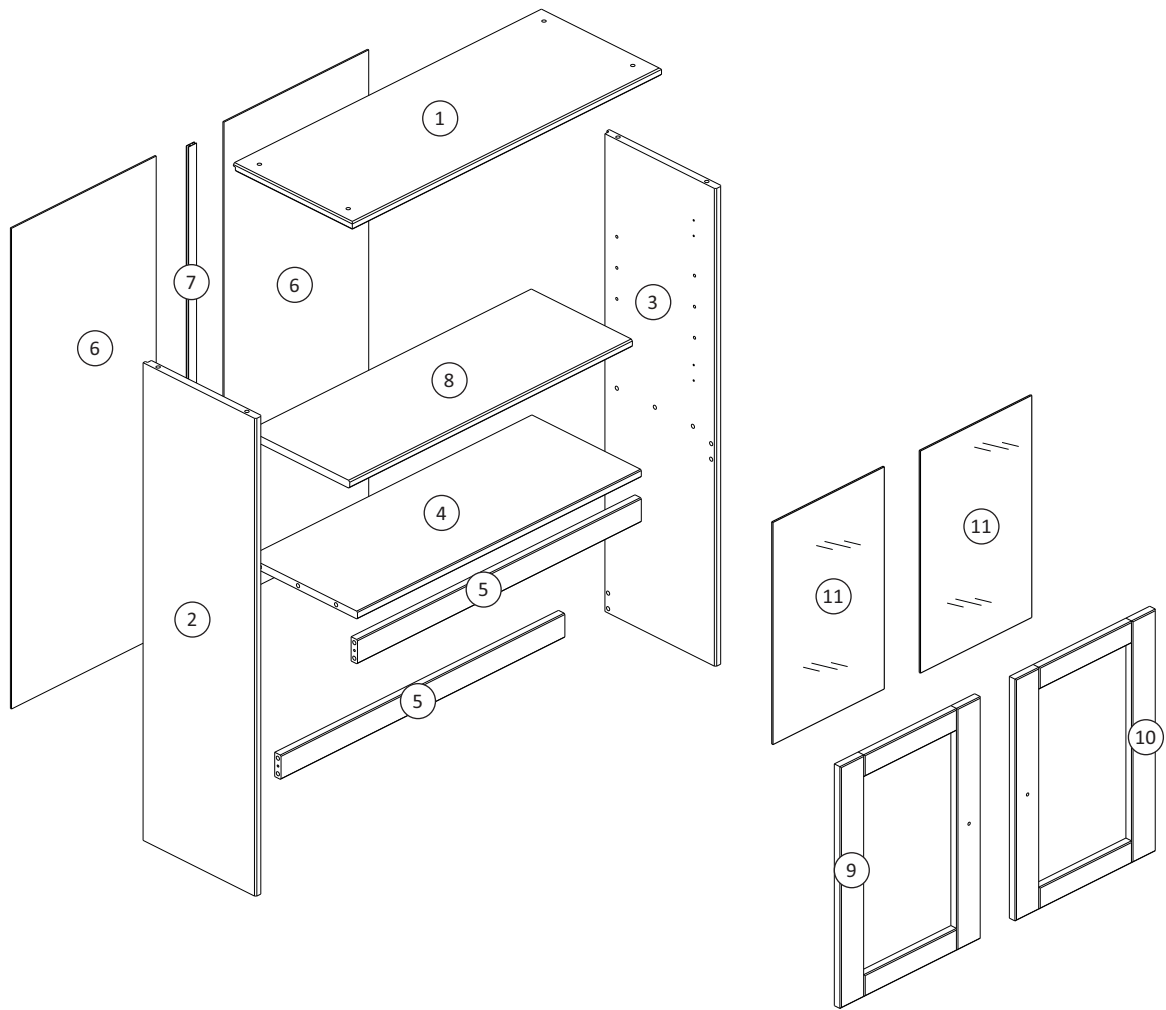



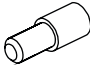

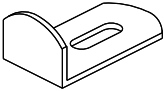

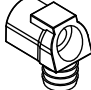
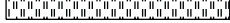
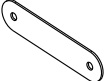


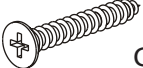
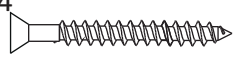
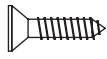

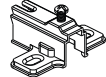
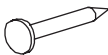
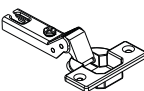

2



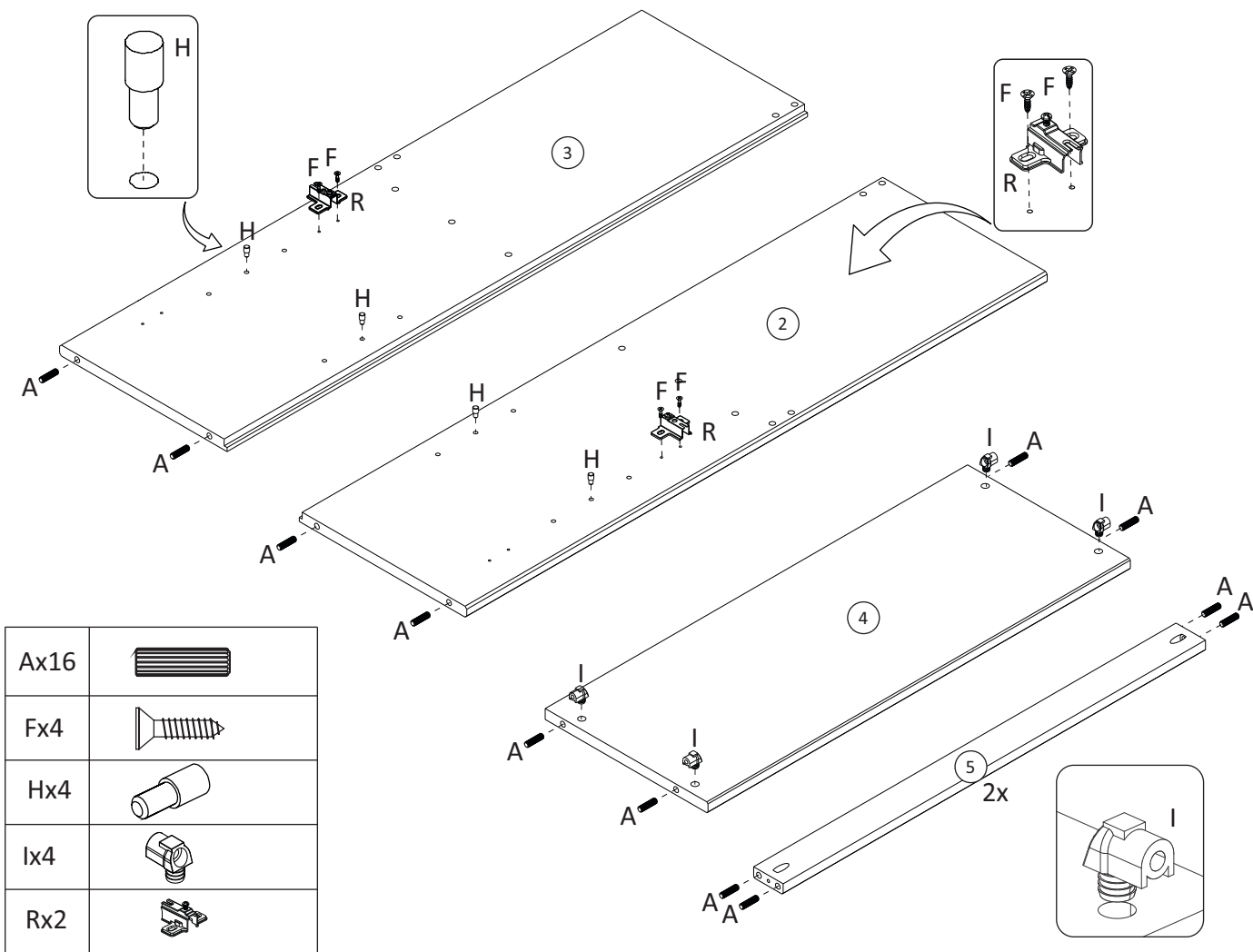
3


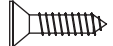







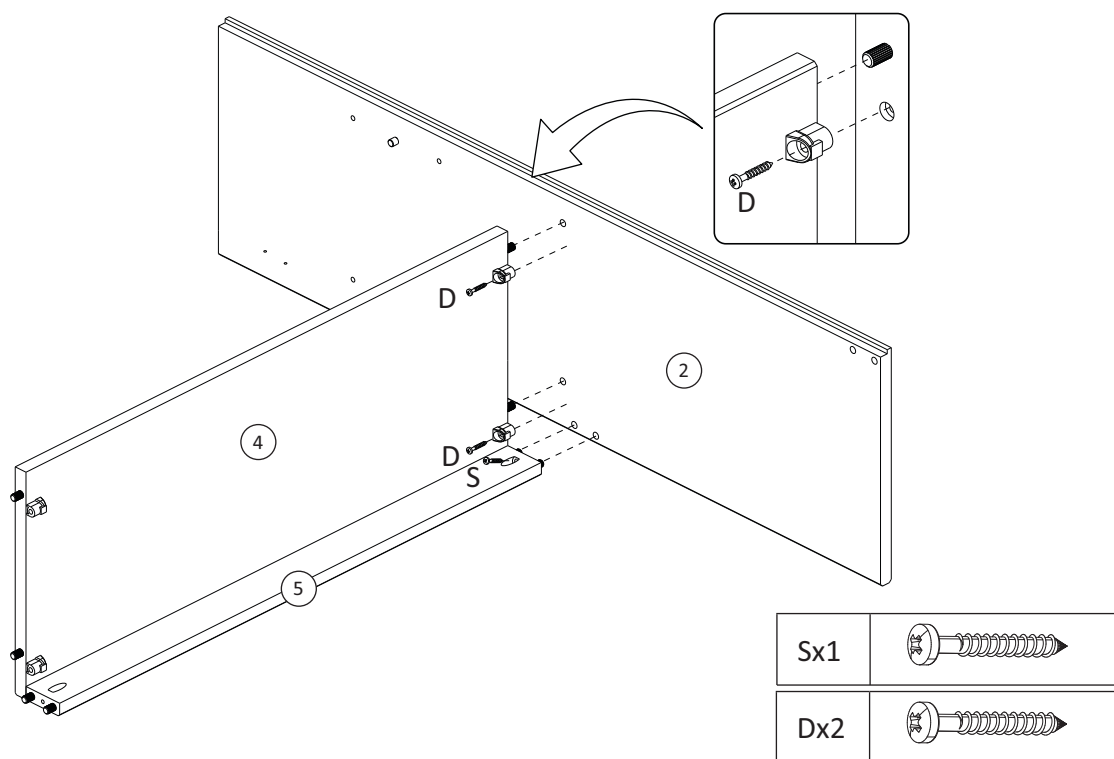
<b>Ax16</b>  $\Phi 8 \times \frac{25}{1.0}$	<b>Hx4</b> 	<b>Nx2</b> 	<b>Ux2</b> 
<b>Dx4</b>  $3.5 \times \frac{25}{0.99}$	<b>lx4</b> 	<b>Ox1</b> 	<b>Vx2</b> 
<b>Ex2</b>  $\Phi M4 \times \frac{22}{0.8}$	<b>Jx8</b> 	<b>Px1</b>  $\Phi 3.5 \times \frac{22}{0.6}$	<b>Xx4</b>  $4.0 \times \frac{40}{1.6}$
<b>Fx44</b>  $3.5 \times \frac{14}{0.6}$	<b>Kx2</b> 	<b>Rx4</b> 	
<b>Gx28</b>  $\frac{8 \times 8}{0.3 \times 0.3}$	<b>Lx4</b> 	<b>Sx4</b>  $3.5 \times \frac{30}{1.5}$	



1



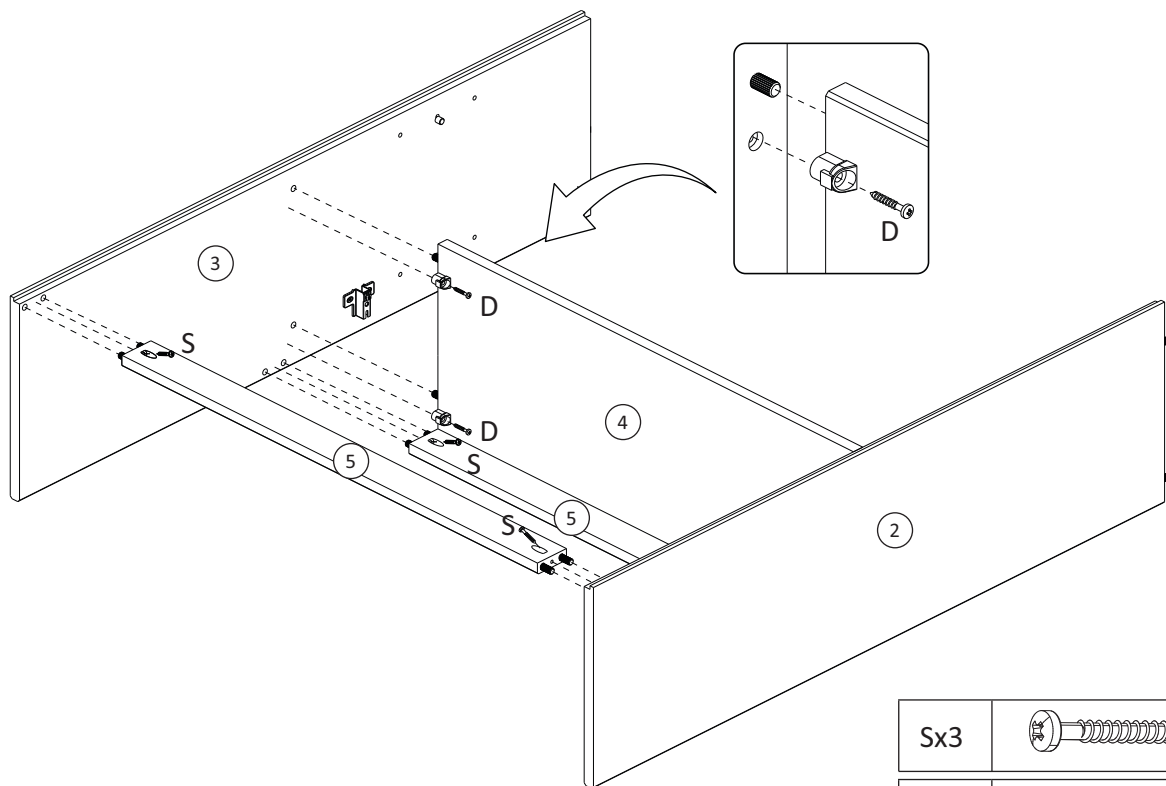
Ax16	
Fx4	
Hx4	
Ix4	
Rx2	



2



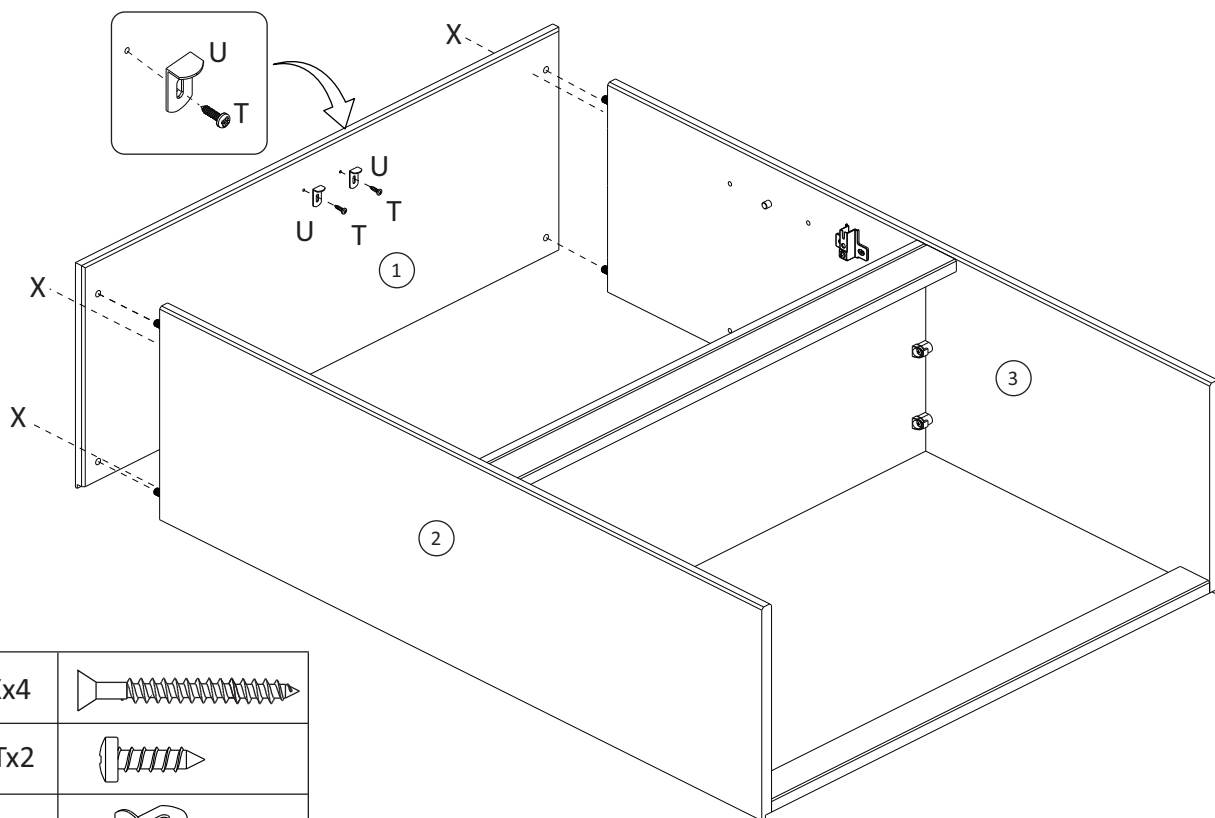
Sx1	
Dx2	


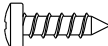

3



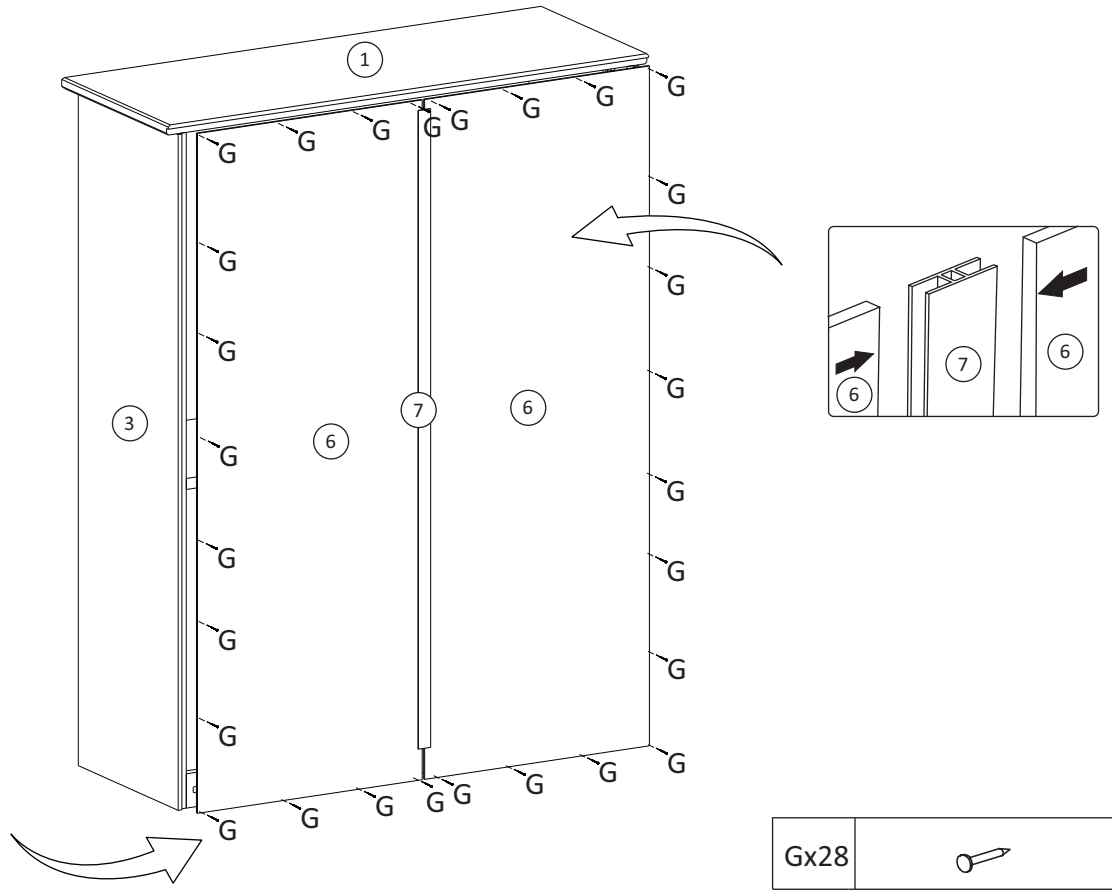
Sx3	
Dx3	

4

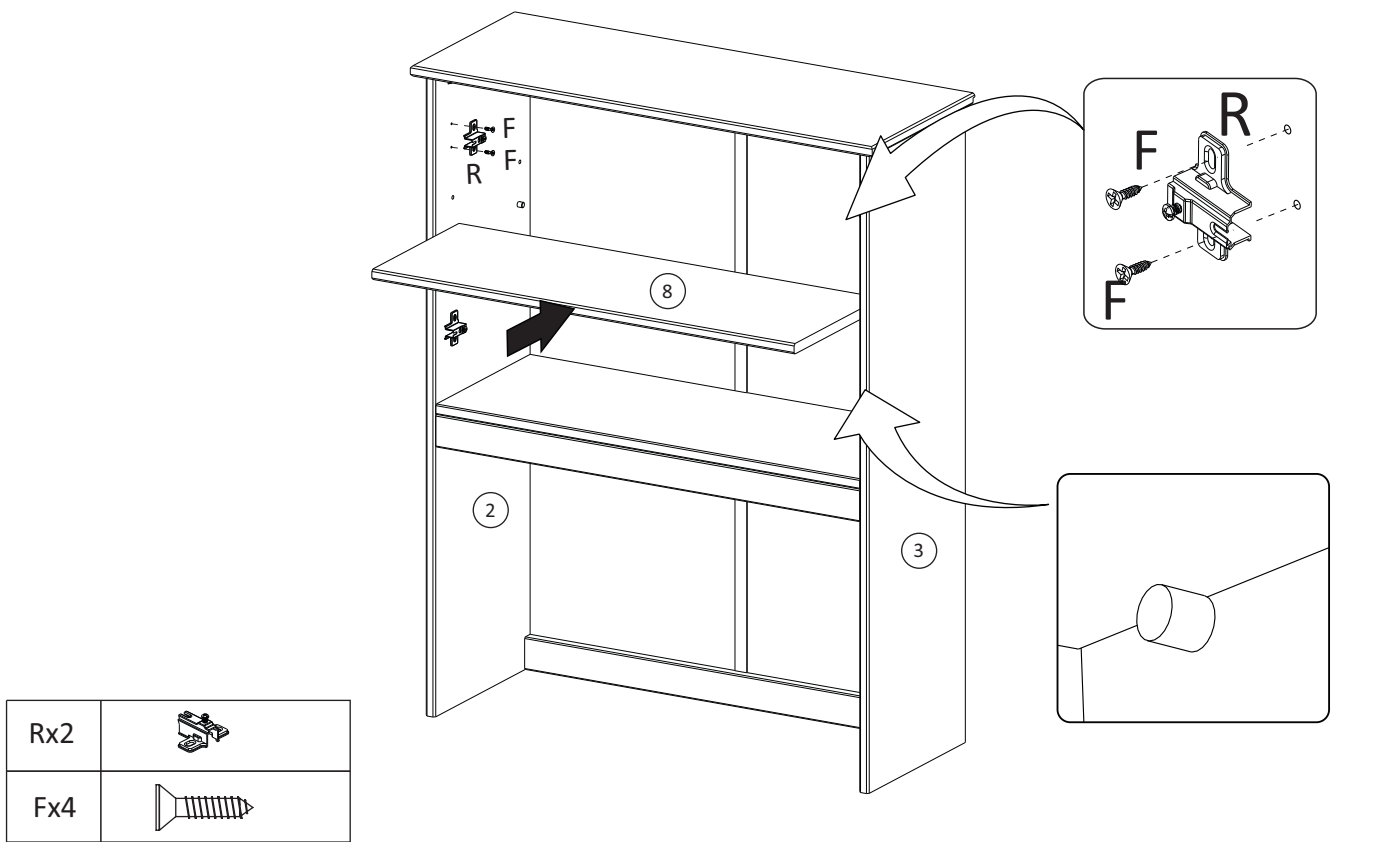


Xx4	
Tx2	
Ux2	

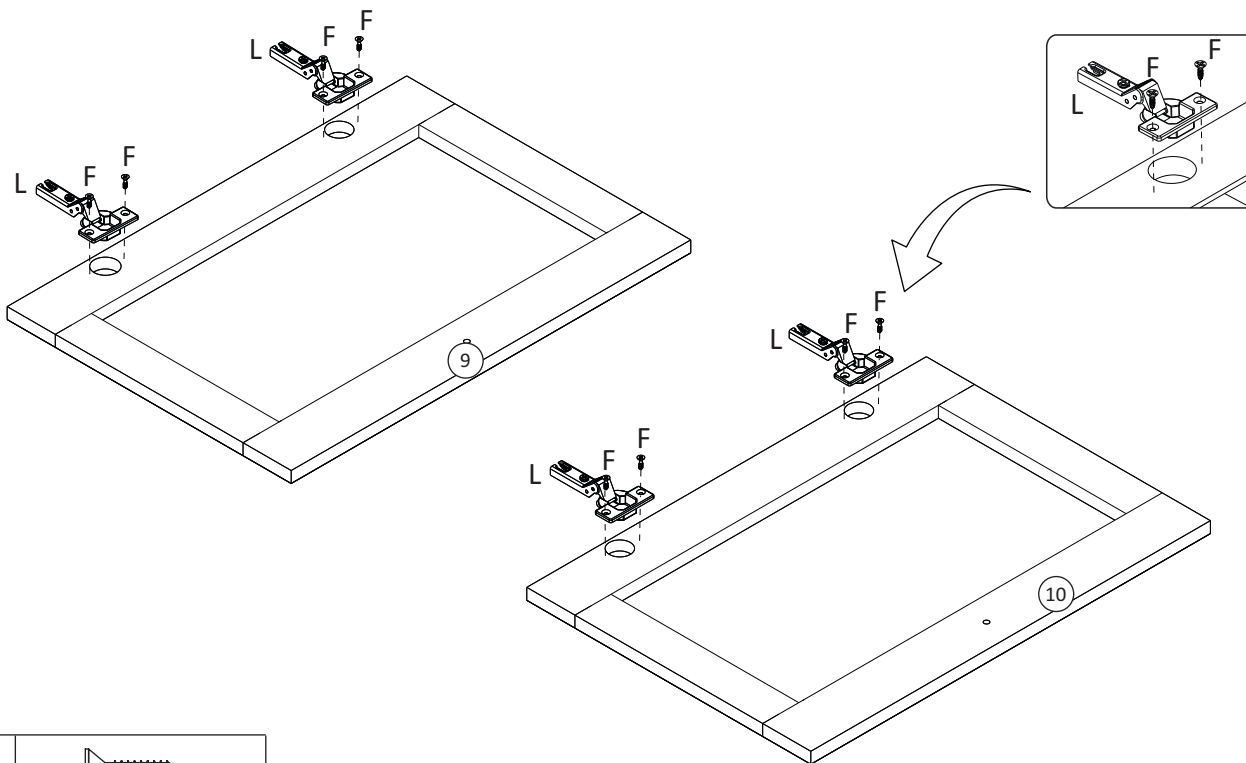
5





6

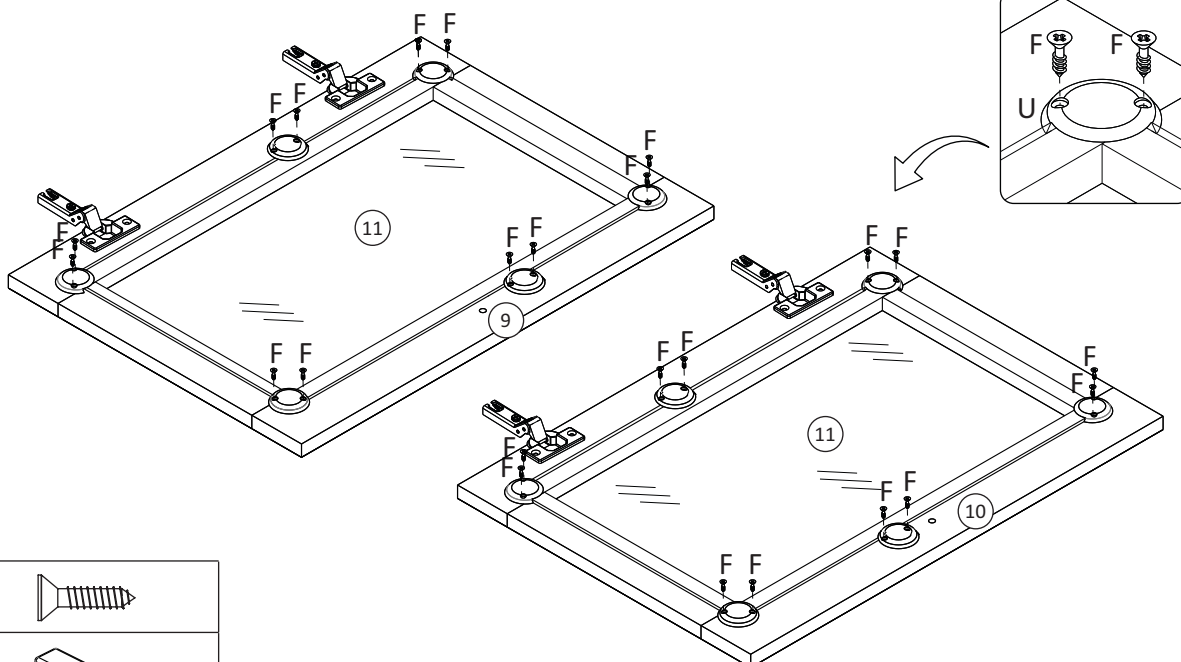





7



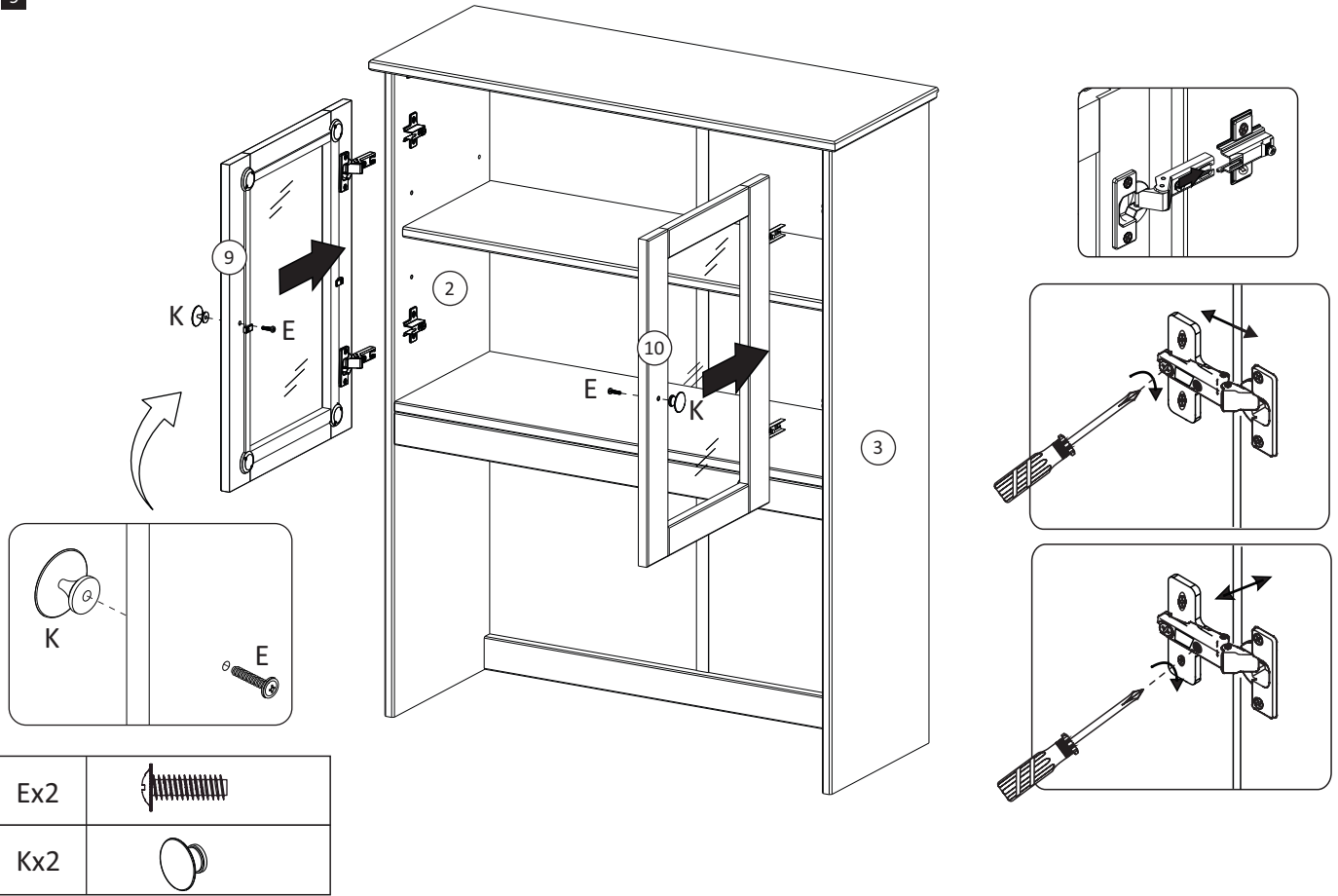
Fx8	
Lx4	

8

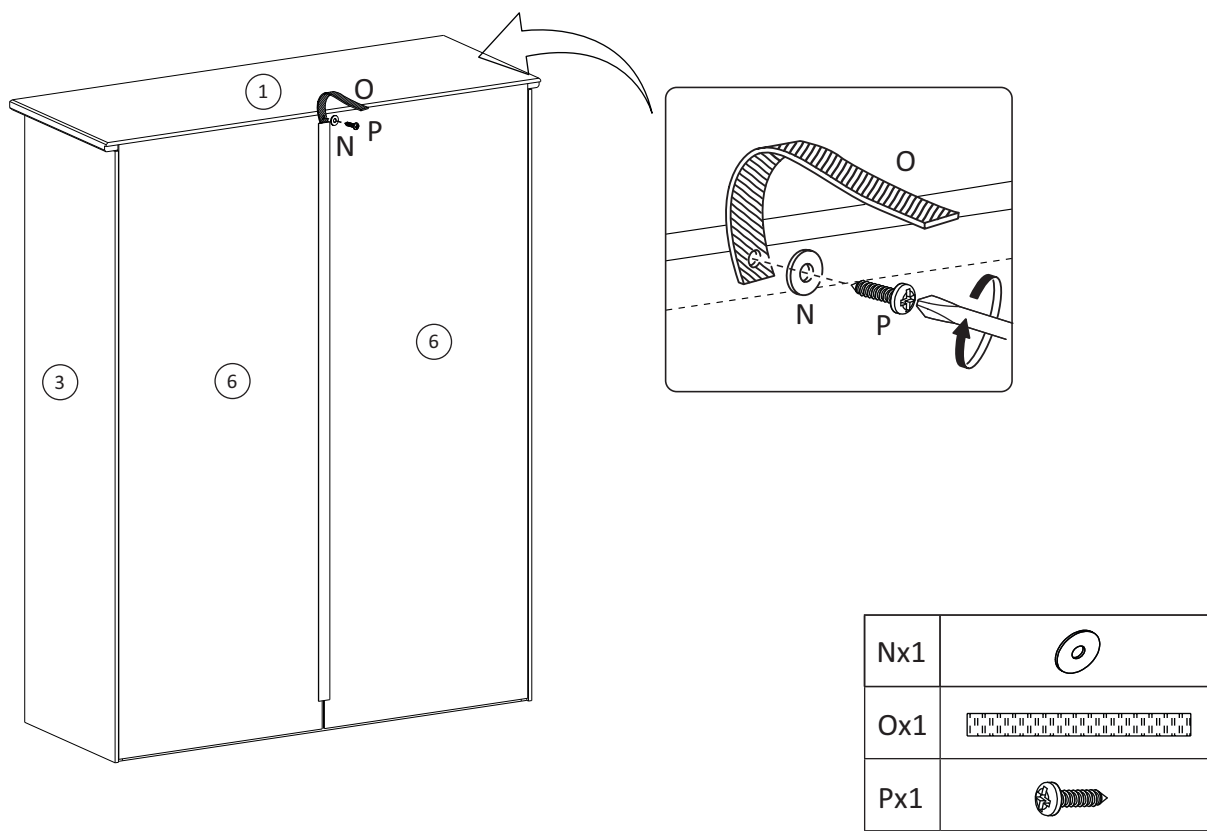


Fx24	
Sx4	
Ux8	

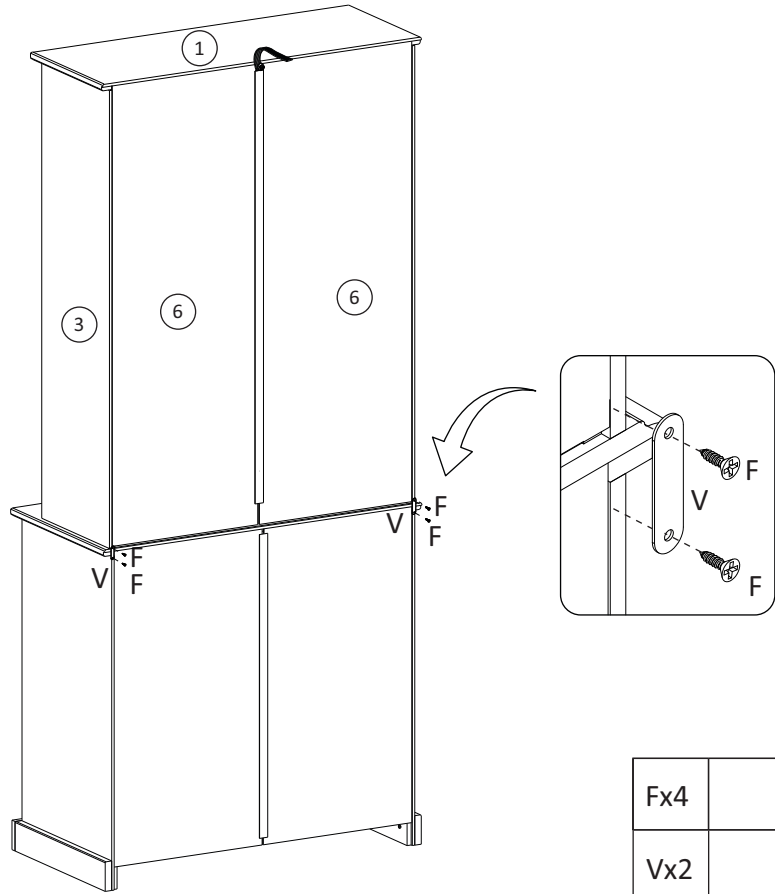
9



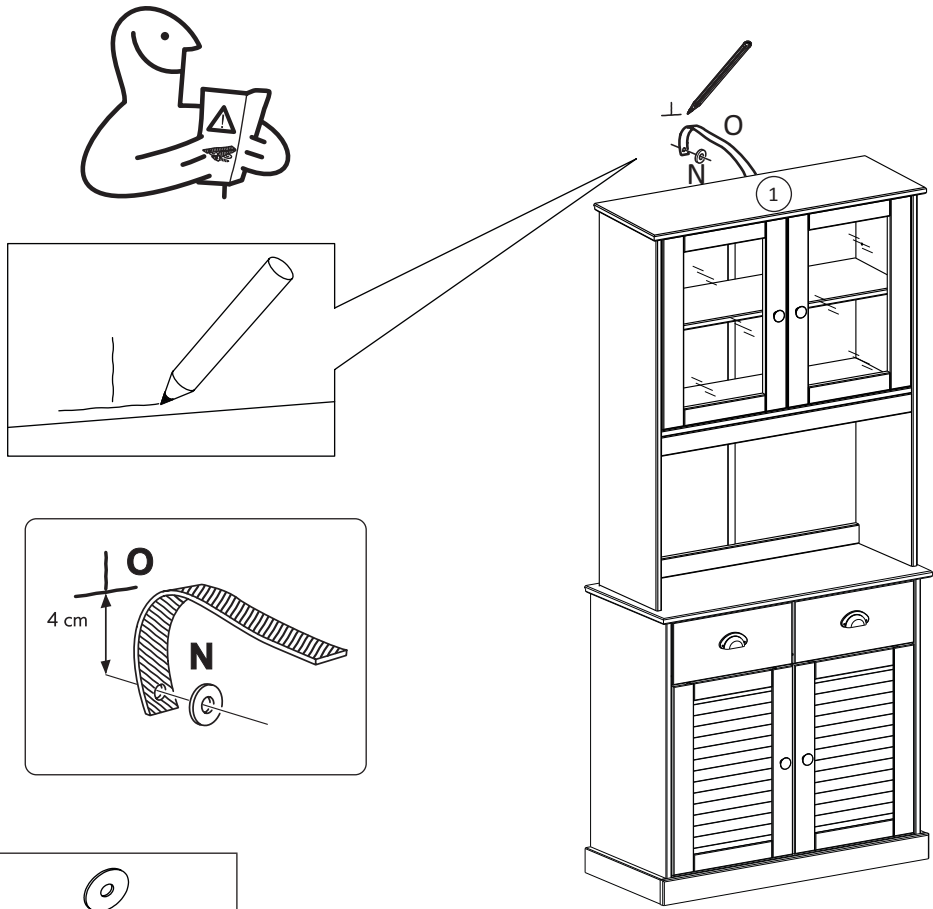
10



11



12



Nx1	
-----	---