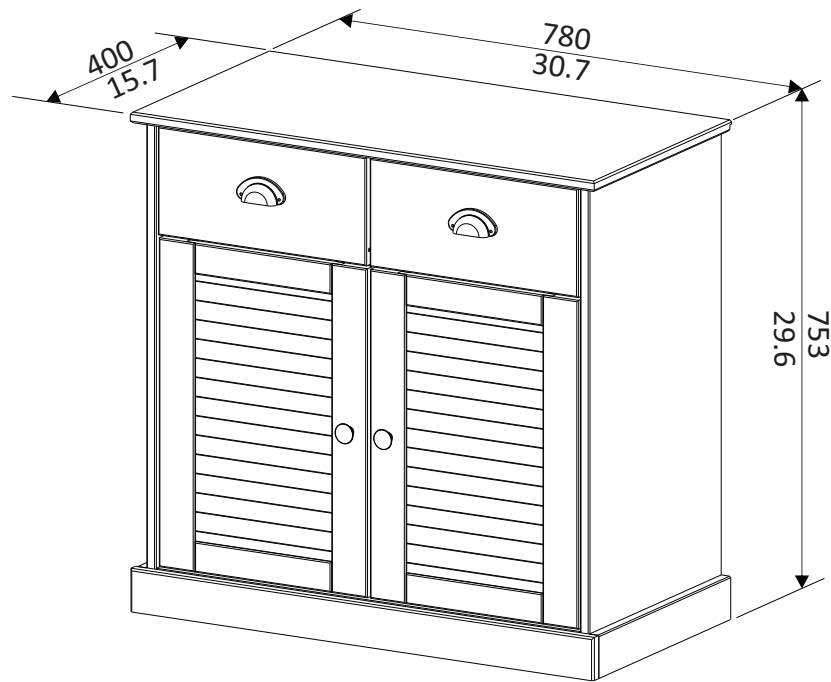
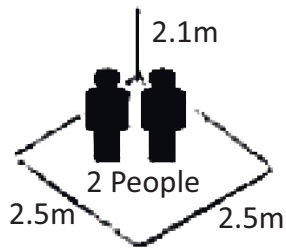


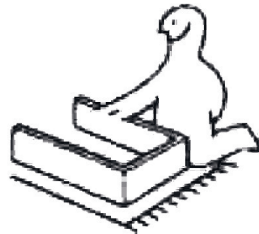
mm  
inch



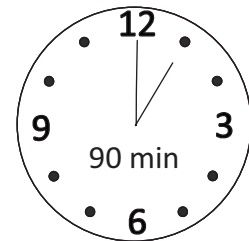
1



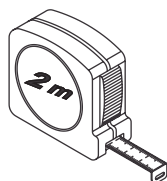
2



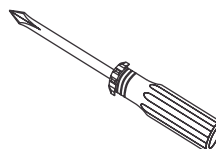
3



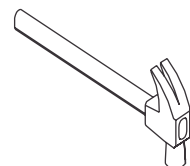
1

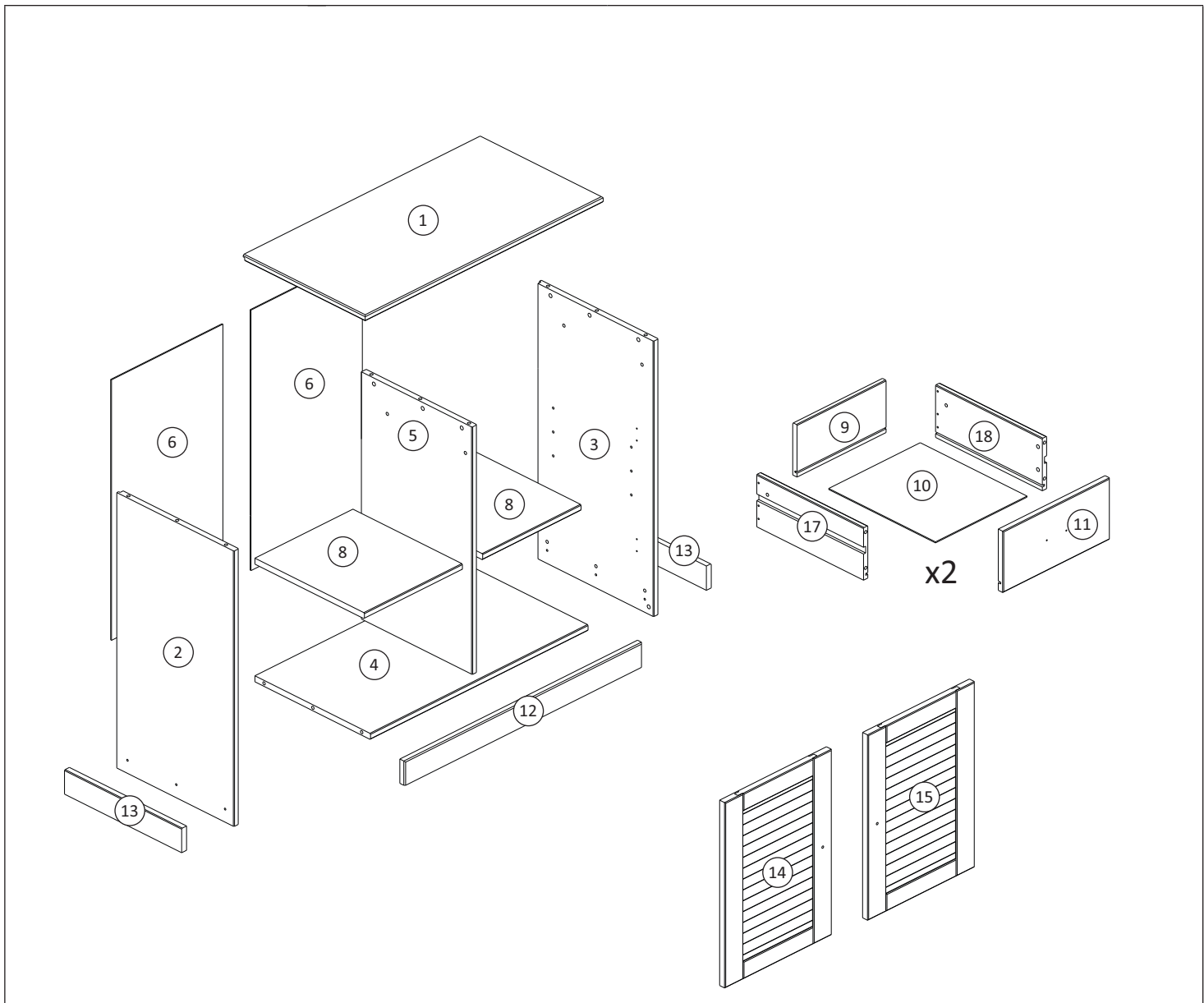


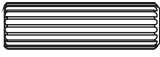


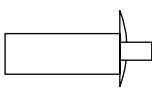

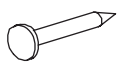
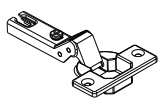
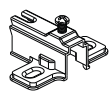
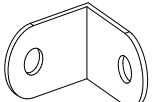
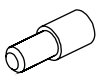



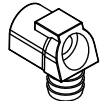

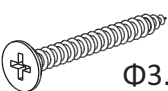


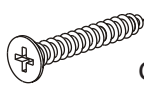

2

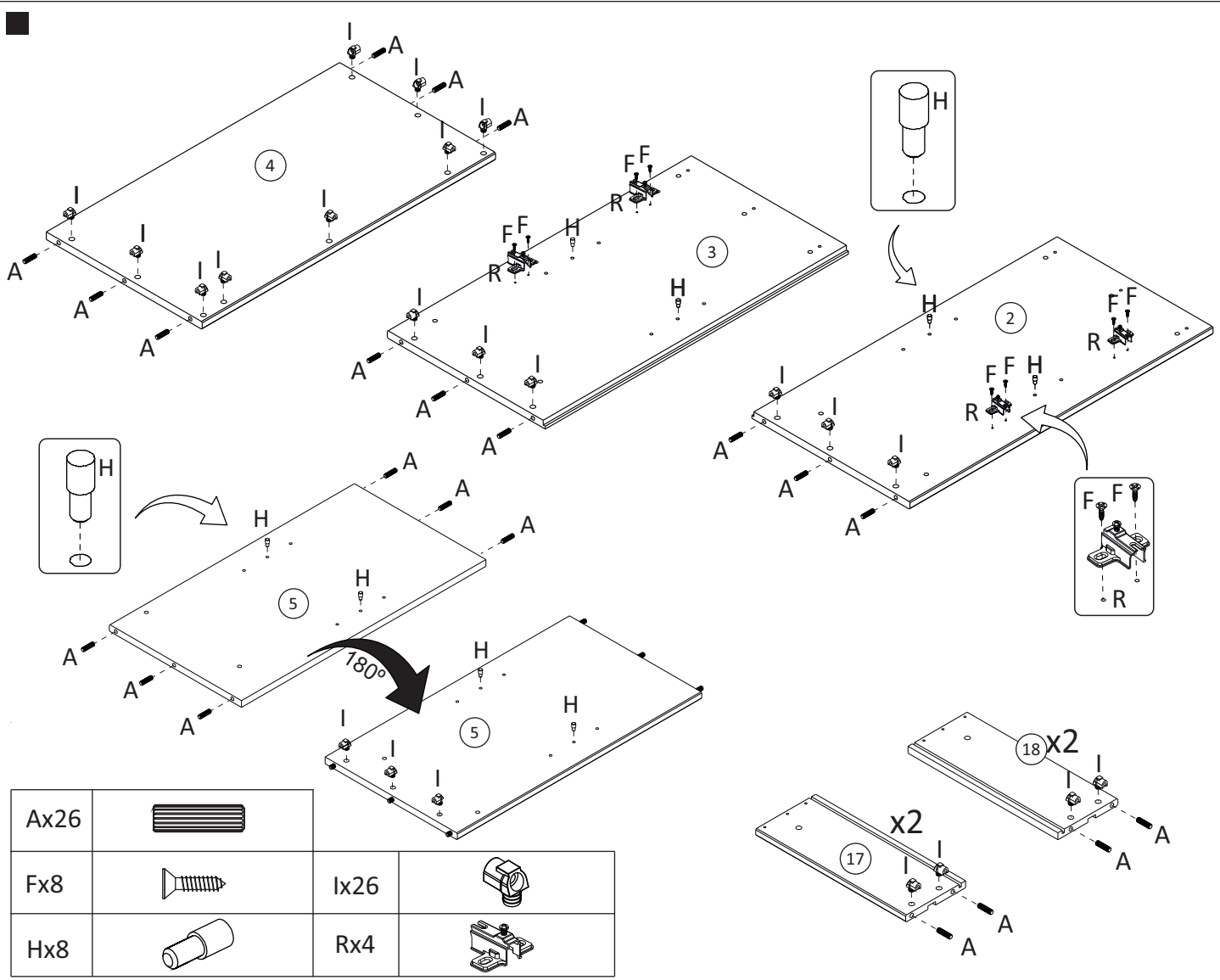


3

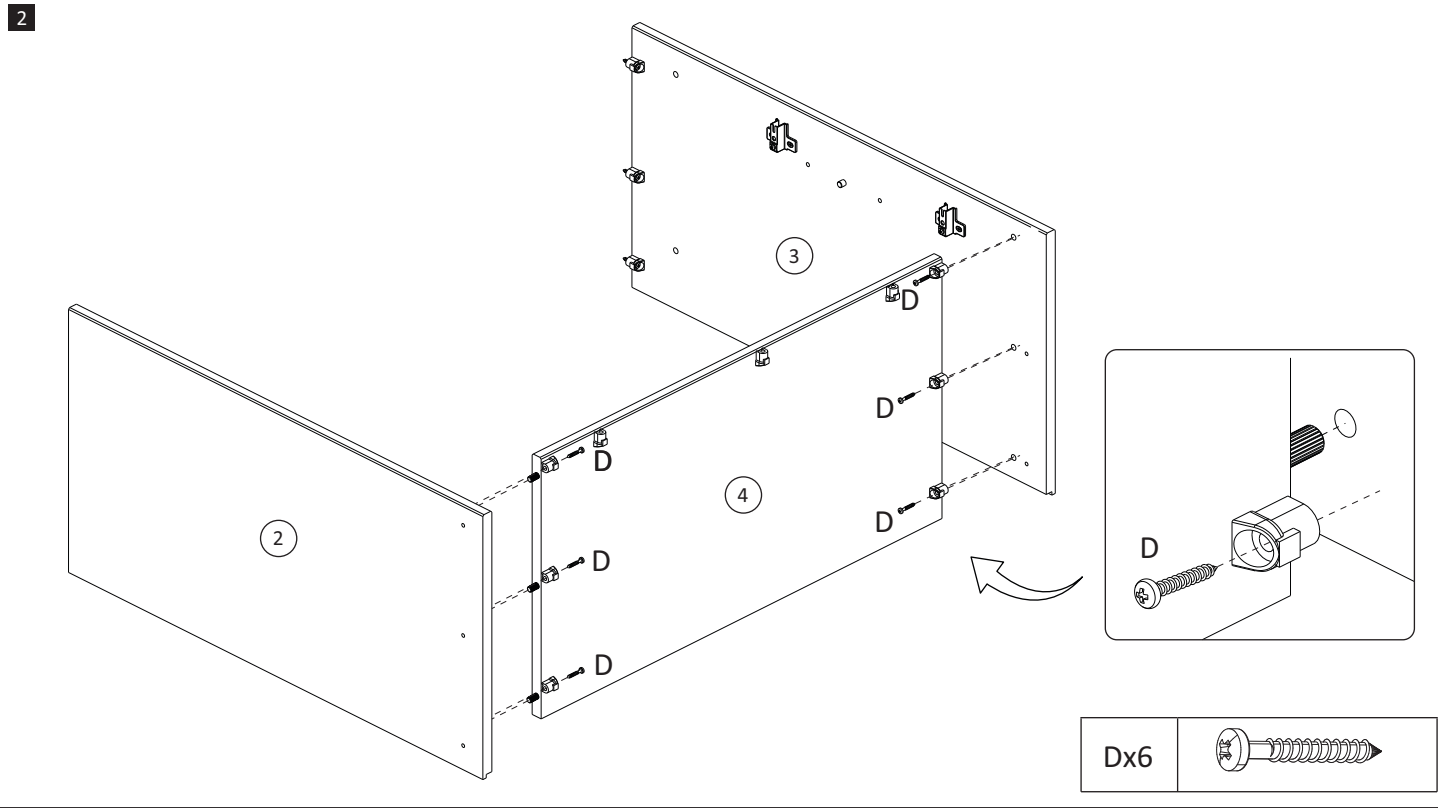
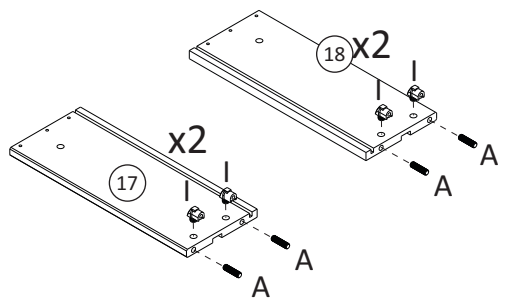




<b>Ax26</b>  $\Phi 8 \times \frac{25}{1.0}$	<b>Fx32</b>  $3.5 \times \frac{14}{0.6}$	<b>Kx2</b> 	<b>Qx4</b> 
<b>Bx4</b> 	<b>Gx30</b>  $\frac{10 \times 10}{0.3 \times 0.3}$	<b>Lx4</b> 	<b>Rx4</b> 
<b>Cx2</b>  18x18 mm	<b>Hx8</b> 	<b>Nx2</b> 	<b>Sx5</b> 
<b>Dx37</b>  $3.5 \times \frac{25}{0.99}$	<b>Ix26</b> 	<b>Ox1</b> 	<b>Tx8</b>  $\Phi 3.0 \times \frac{30}{0.6}$
<b>Ex2</b>  $\Phi M4 \times \frac{22}{0.8}$	<b>Jx2</b> 	<b>Px1</b>  $\Phi 3.5 \times \frac{22}{0.6}$	<b>Ux4</b>  $3.5 \times \frac{16}{0.6}$



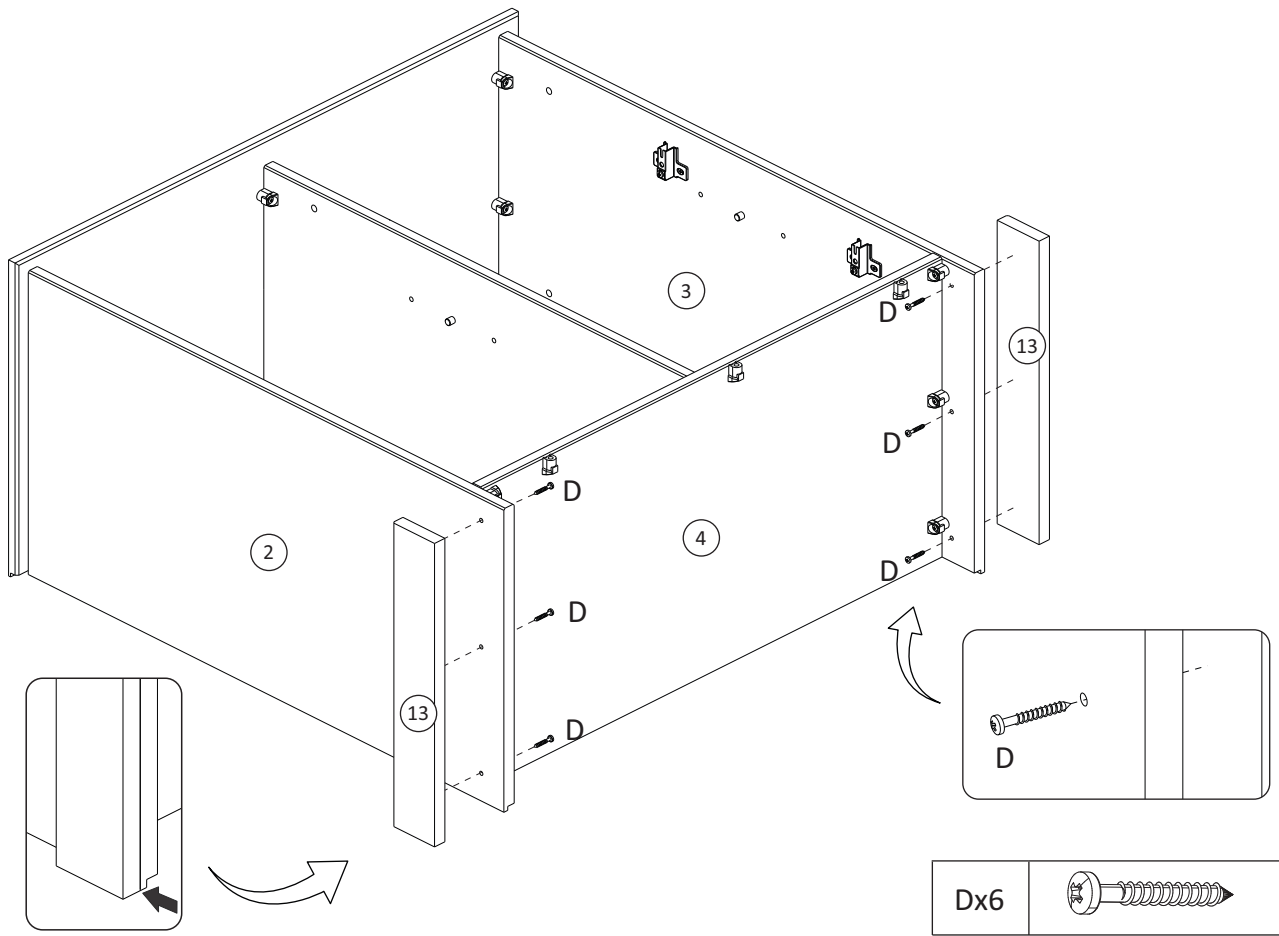
Ax26		Ix26	
Fx8		Rx4	
Hx8			



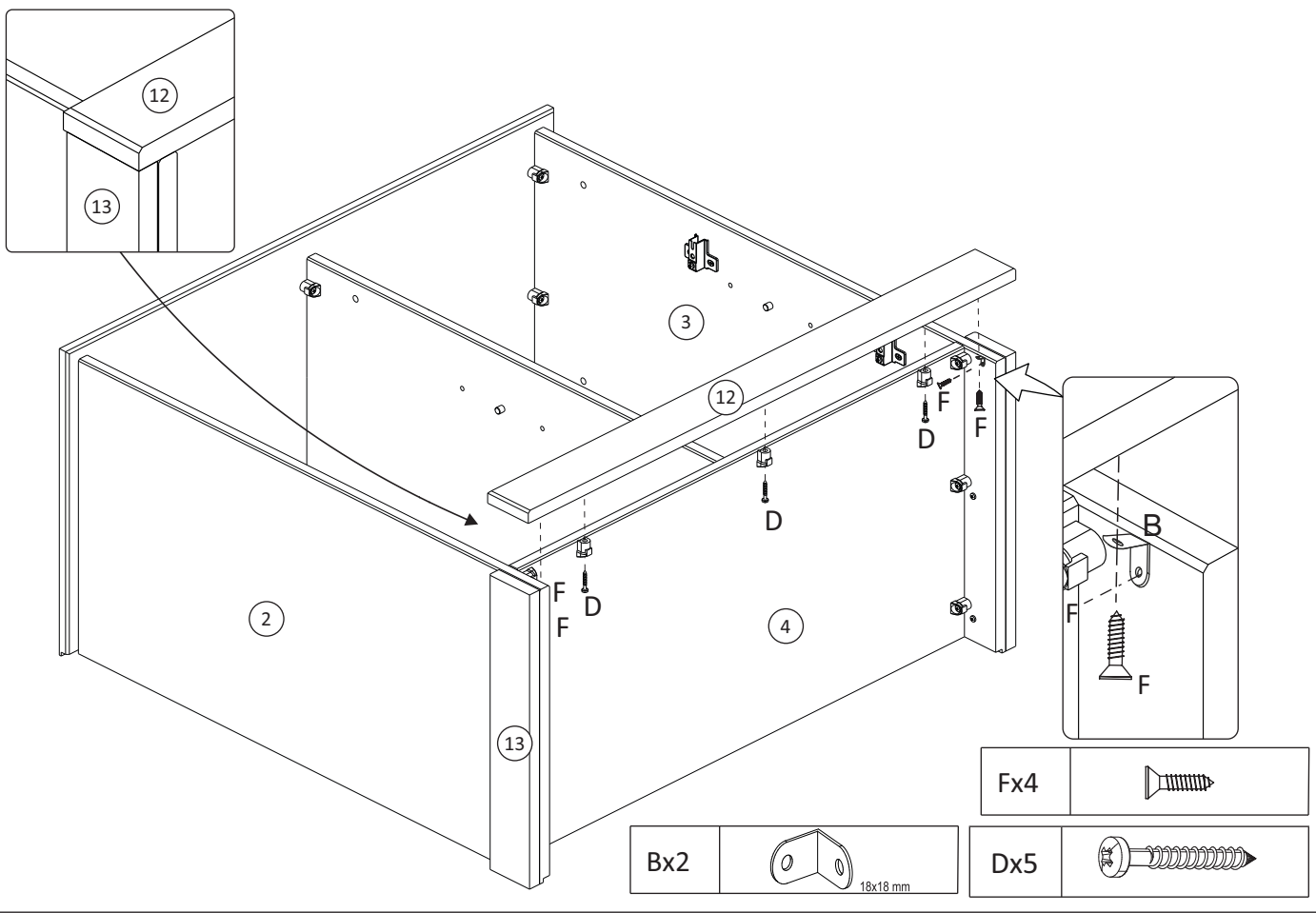
Dx6	
-----	--



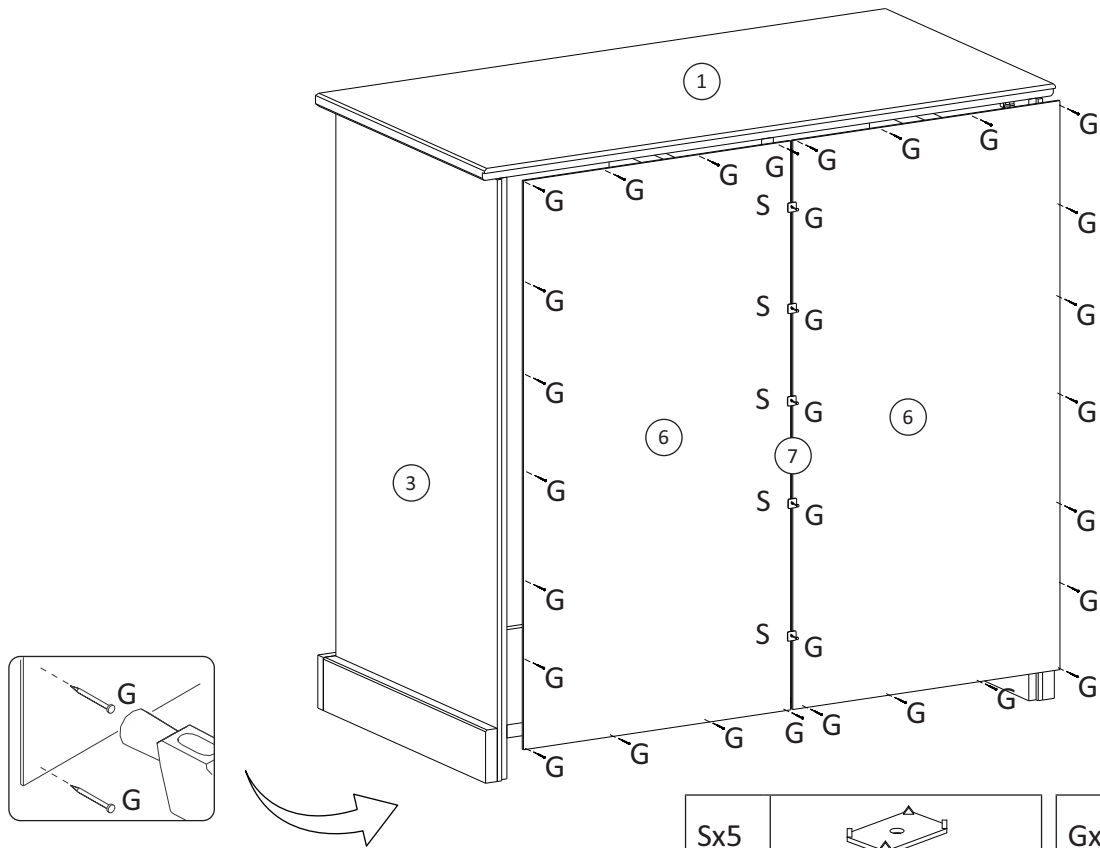
5



6

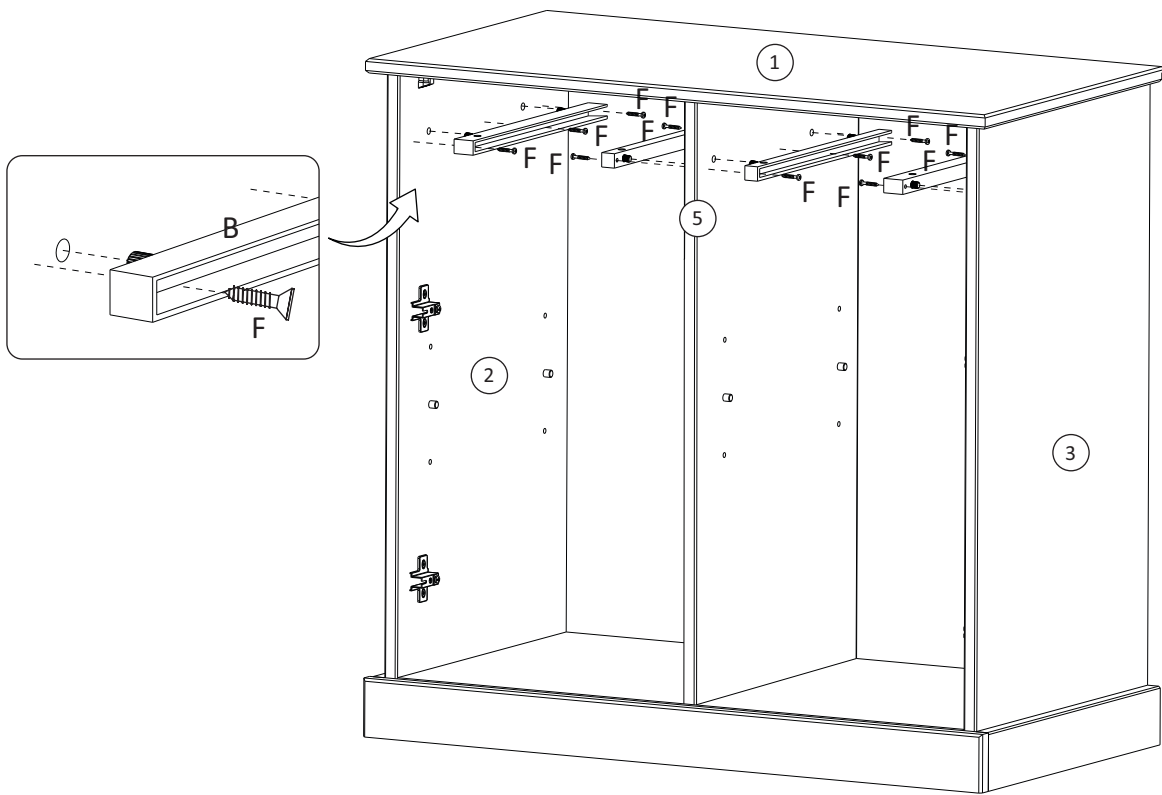


7



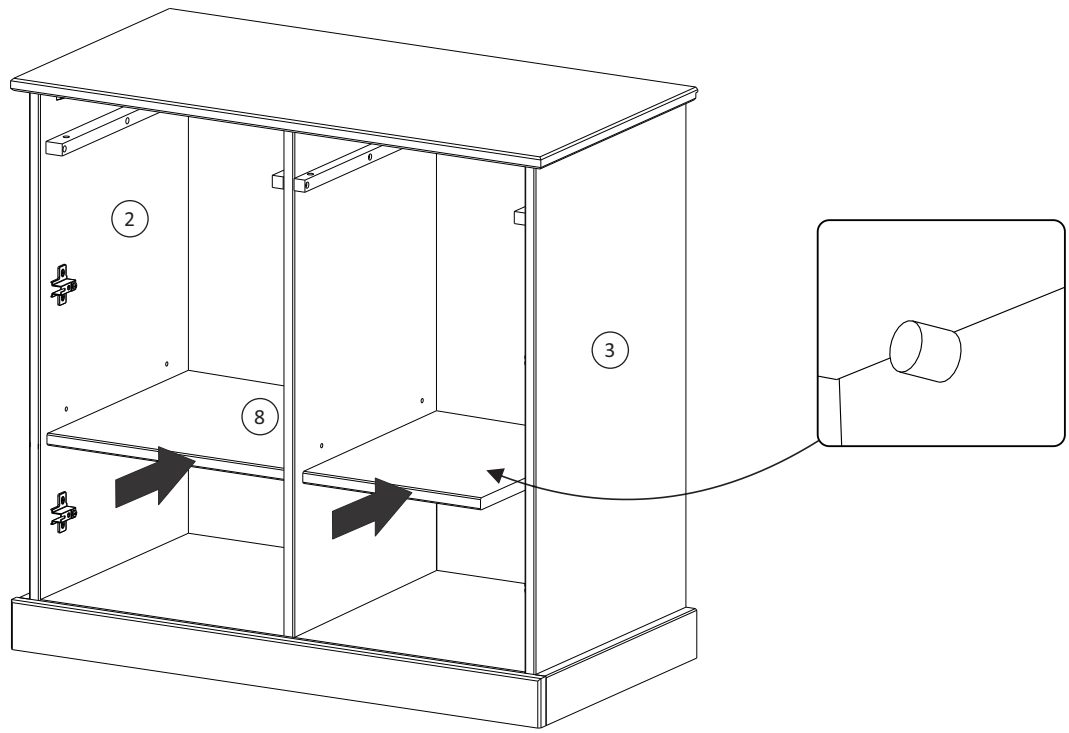
Sx5		Gx31	
-----	--	------	--

8

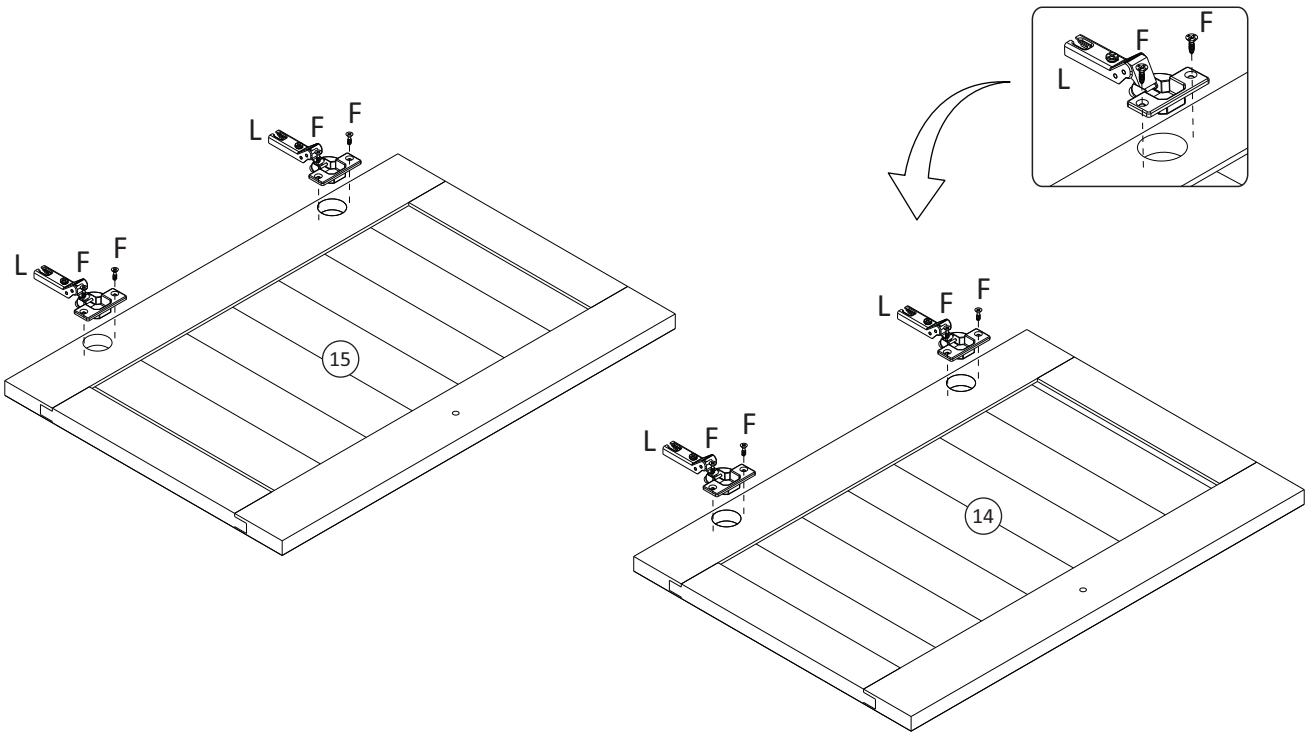




Bx4		Fx12	
-----	--	------	--

9

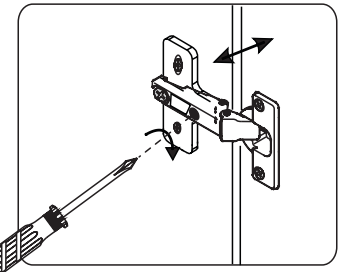
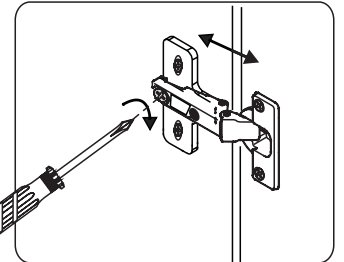
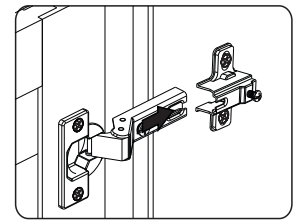
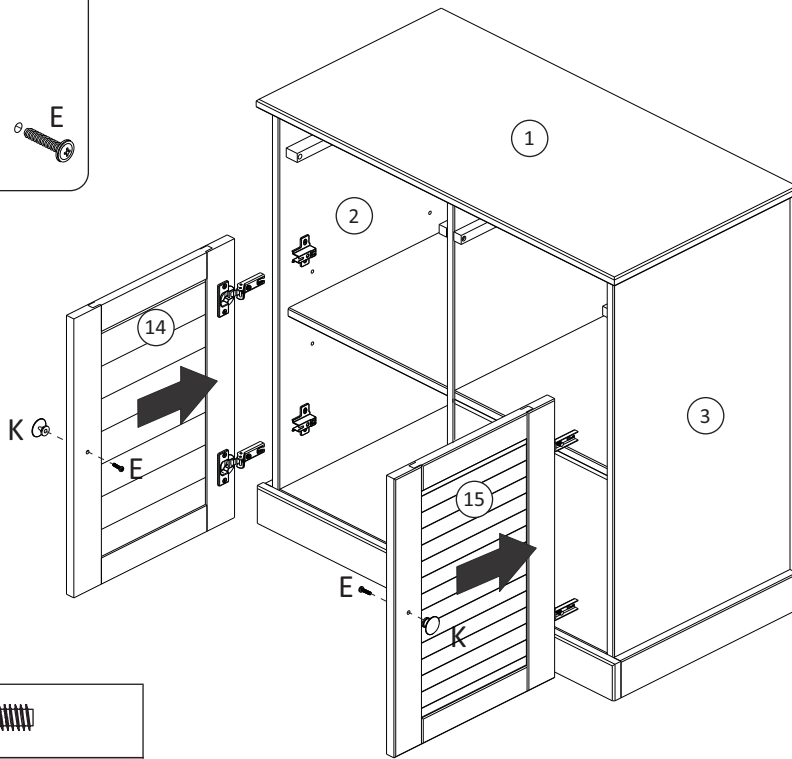
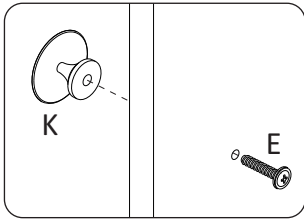


10



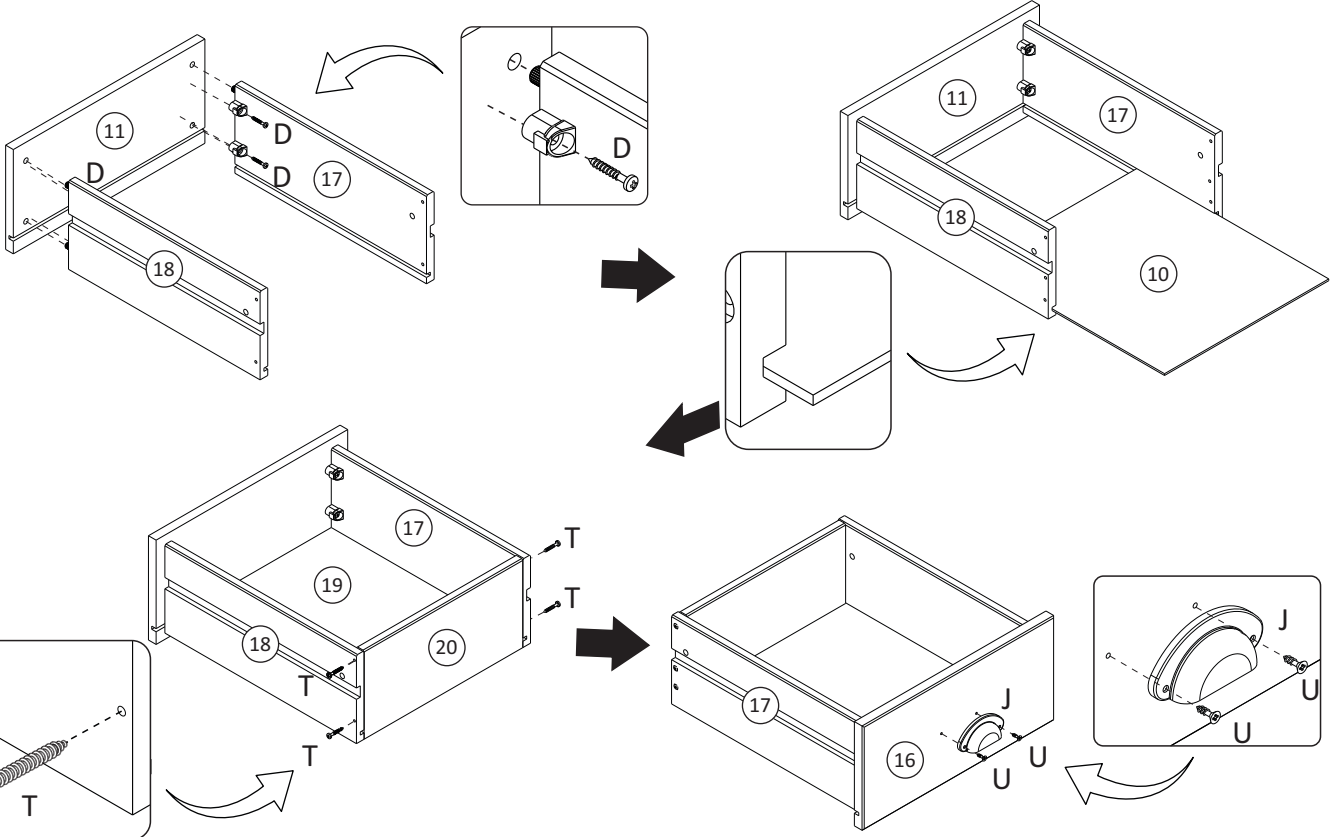
Fx8	
Lx4	

11



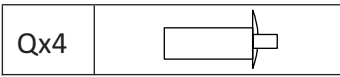
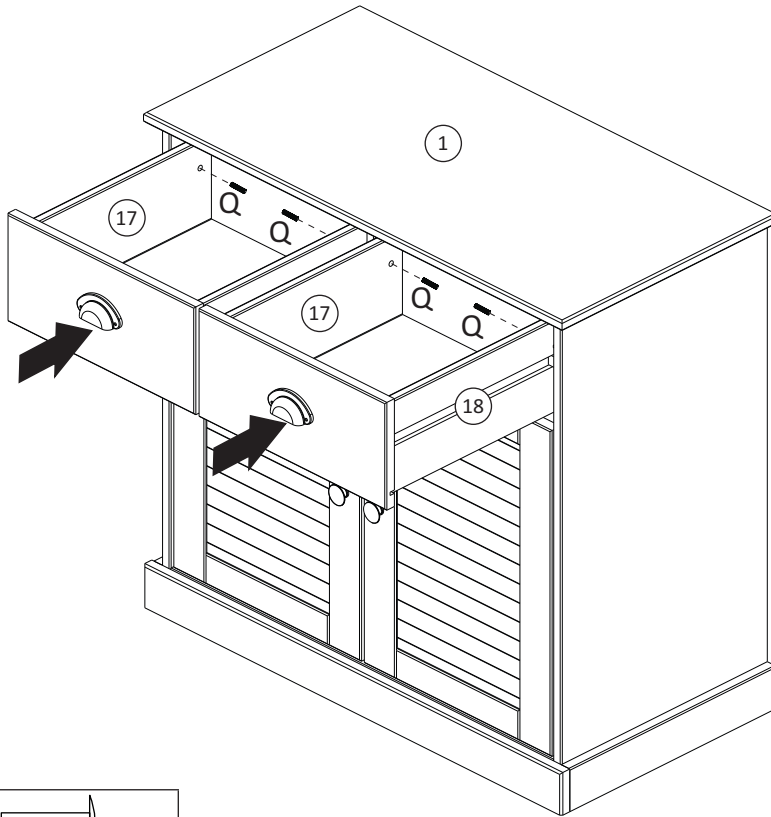
Ex2	
Kx2	

12 x2

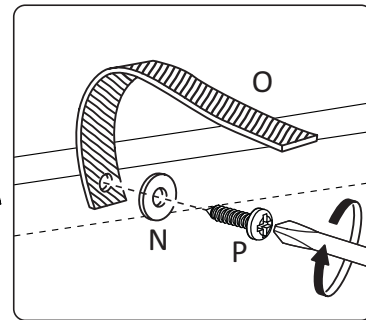
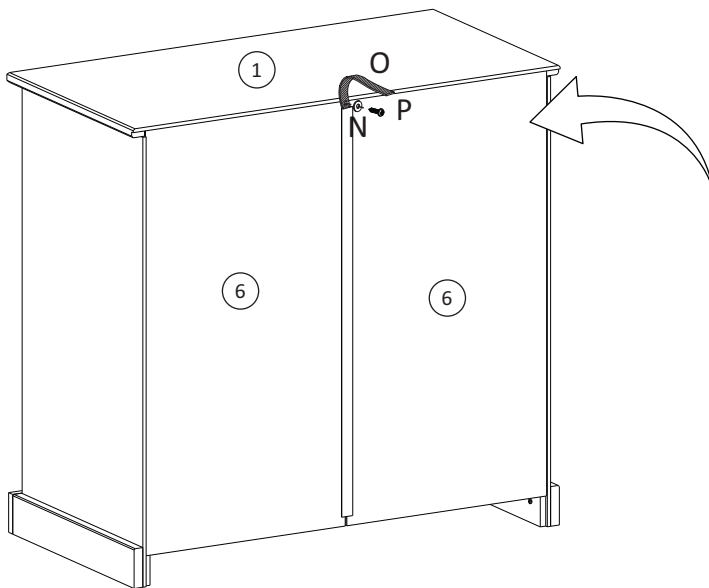


Dx8		Ux4		Jx2		Tx8	
-----	--	-----	--	-----	--	-----	--

13

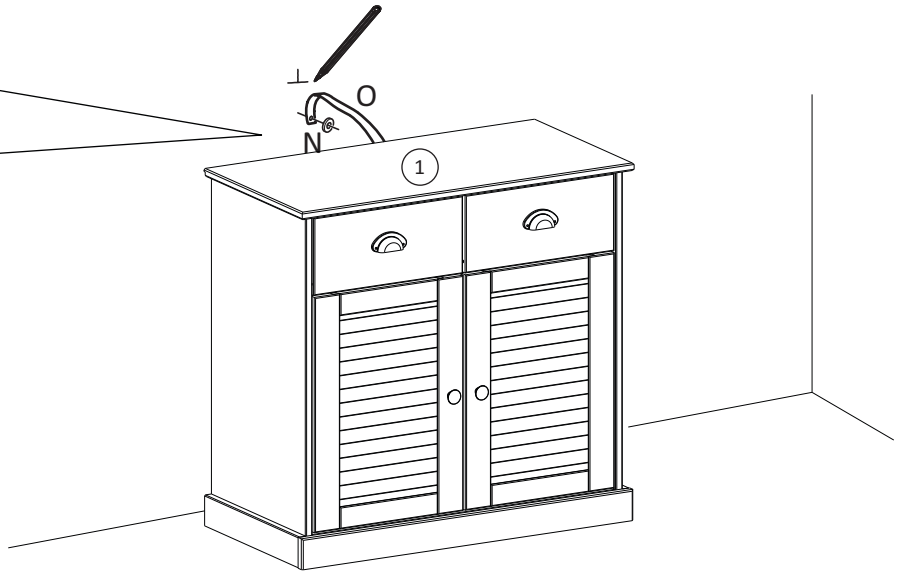
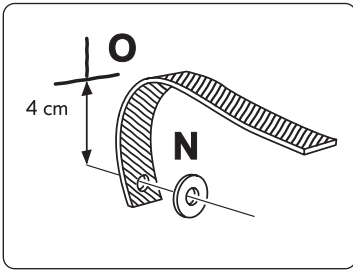
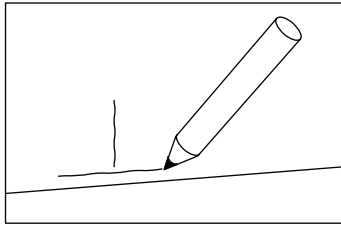
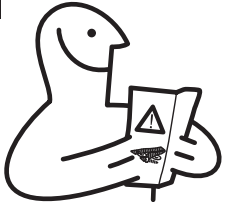



14



Nx1	
Ox1	
Px1	

15



Nx1	
-----	---

16