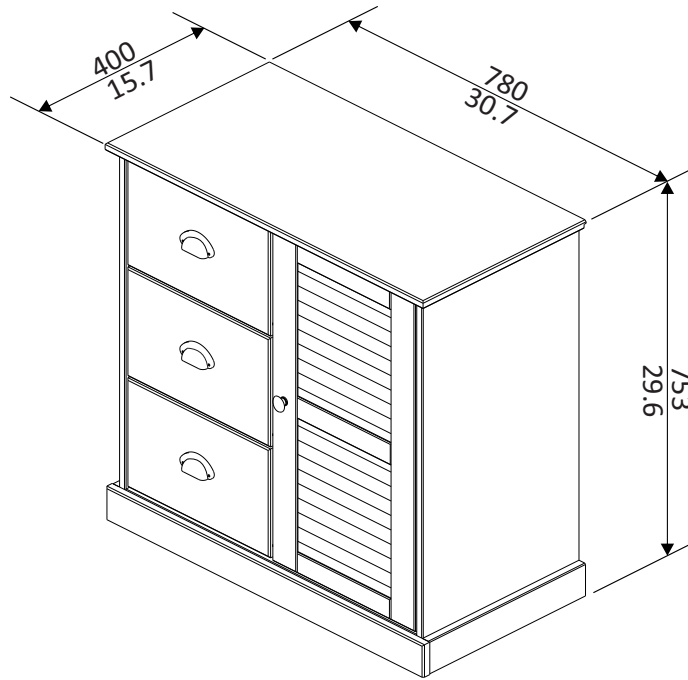
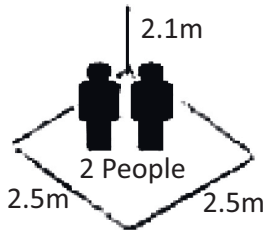


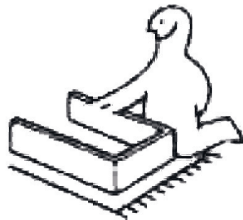
mm  
inch



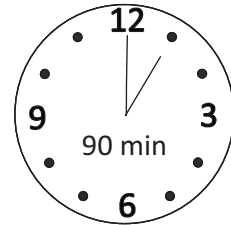
1



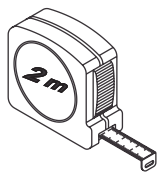
2



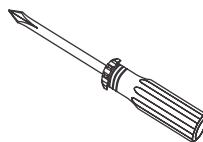
3



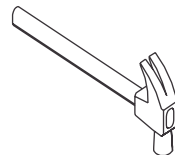
1

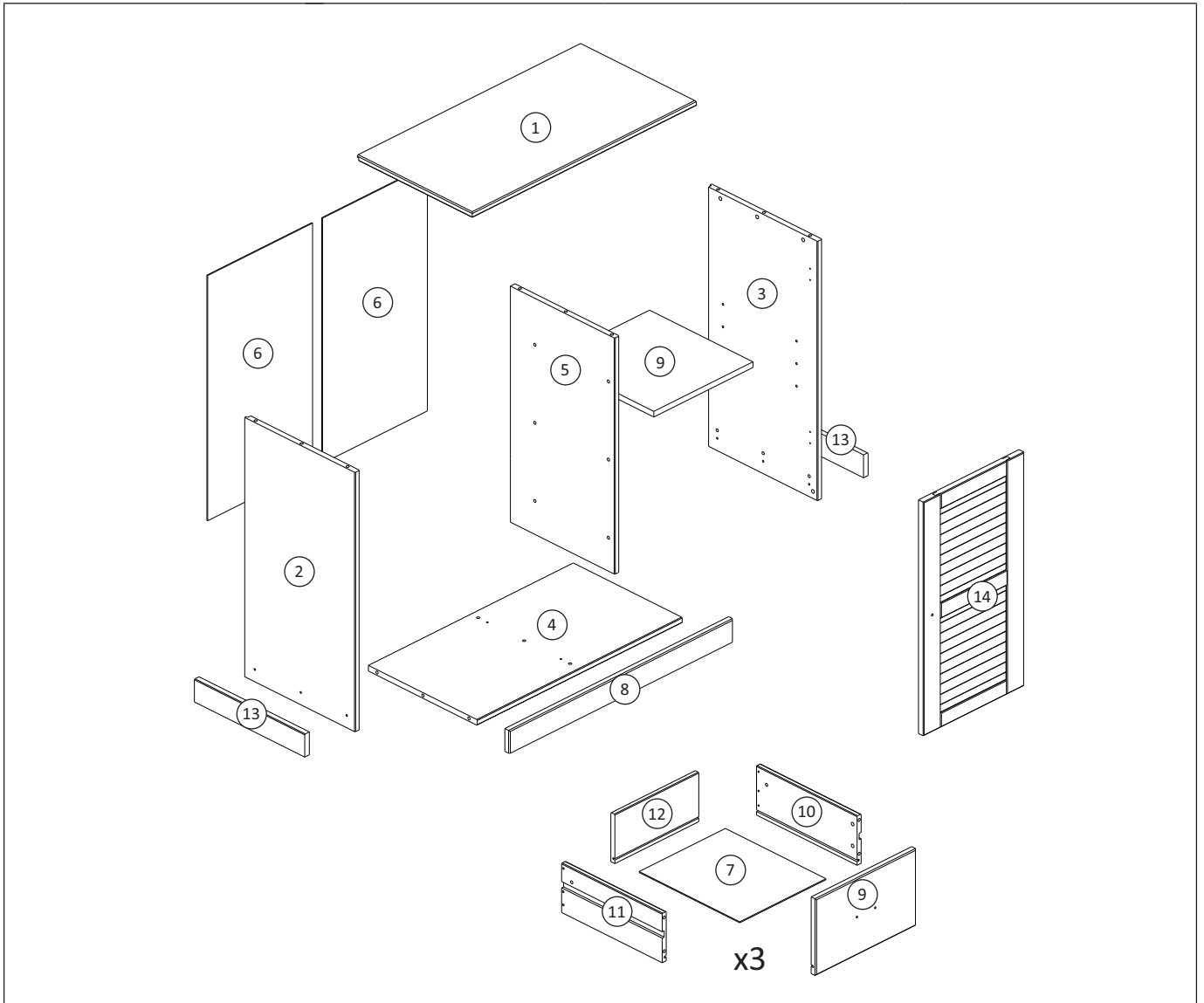





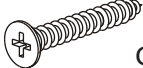

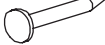
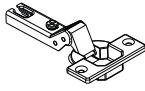
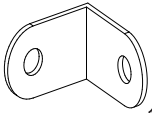
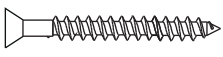
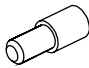

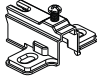

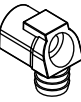


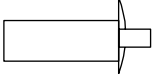



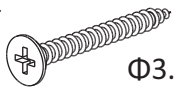
2



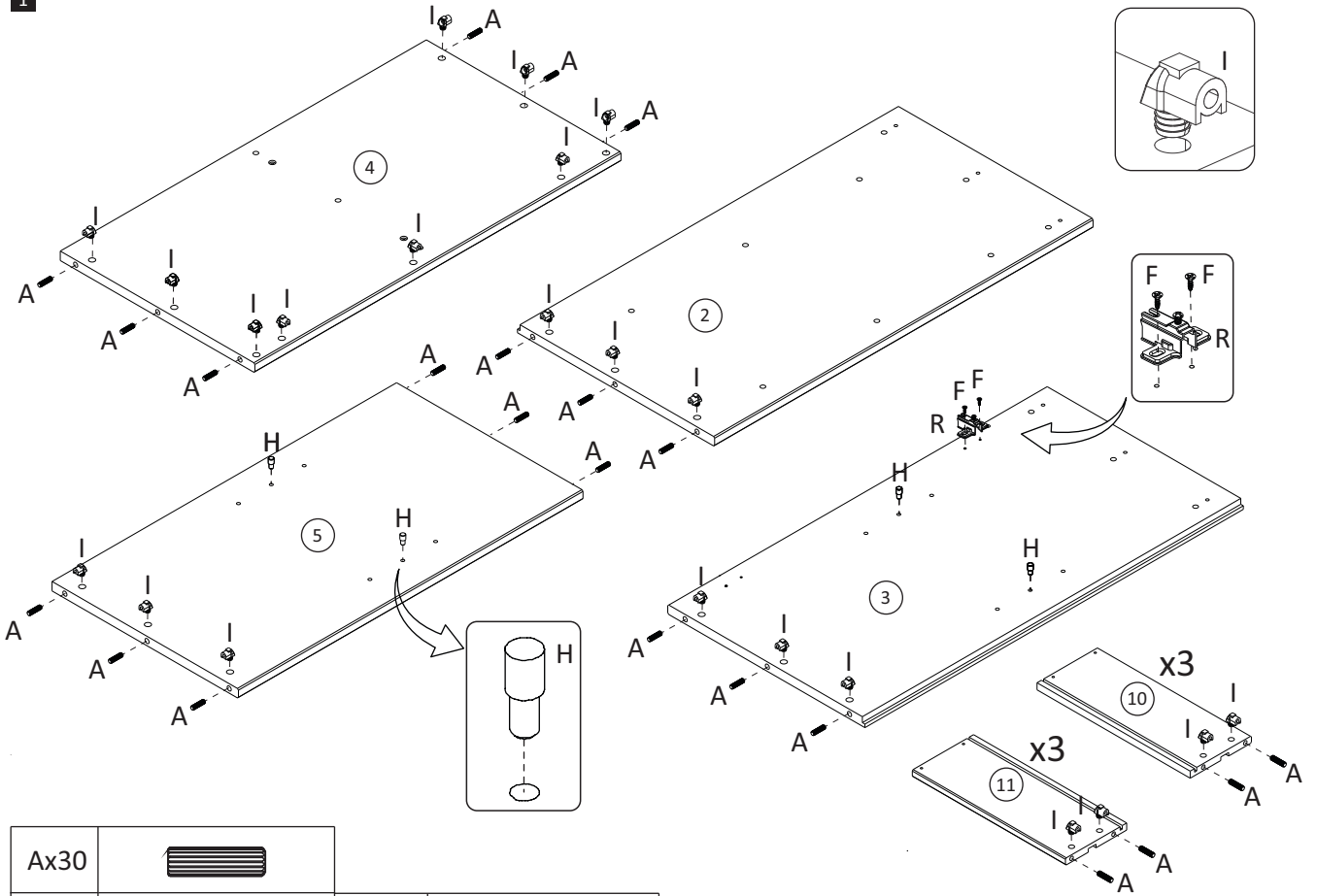
3









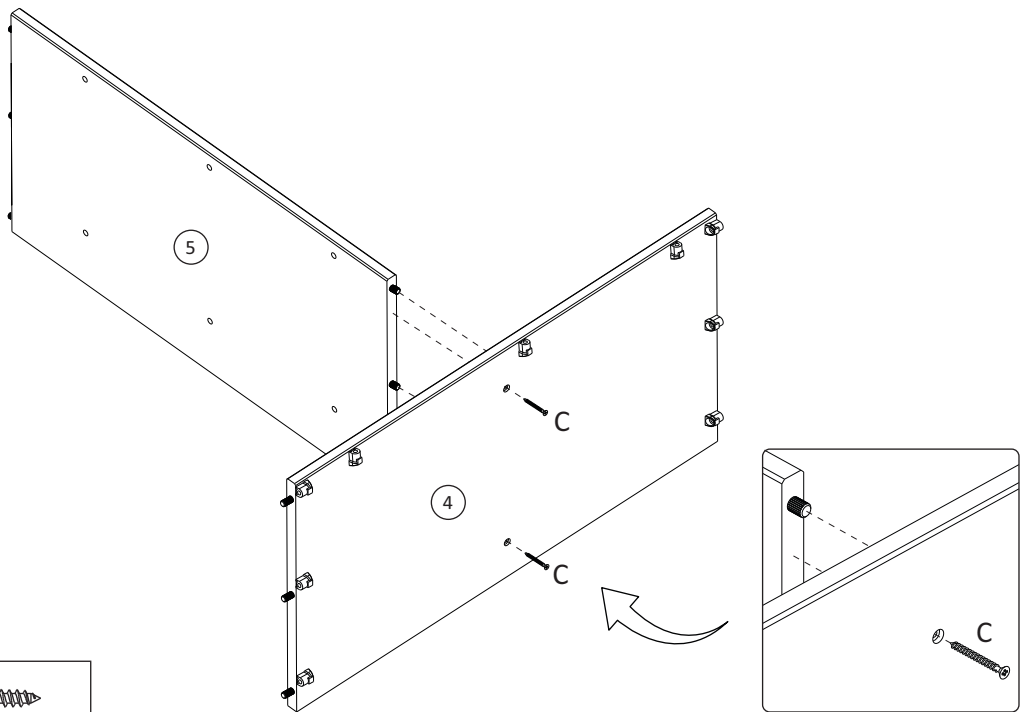
<b>Ax30</b>  $\Phi 8 \times \frac{25}{1.0}$	<b>Fx30</b>  $3.5 \times \frac{14}{0.6}$	<b>Kx1</b> 	<b>Px1</b>  $\Phi 3.5 \times \frac{22}{0.6}$
<b>Bx6</b> 	<b>Gx31</b>  $\frac{10 \times 10}{0.3 \times 0.3}$	<b>Lx2</b> 	<b>Qx2</b>  18x18 mm
<b>Cx2</b>  $4.0 \times \frac{40}{1.6}$	<b>Hx4</b> 	<b>Mx5</b> 	<b>Rx2</b> 
<b>Dx36</b>  $3.5 \times \frac{25}{0.99}$	<b>Ix30</b> 	<b>Nx2</b>  	<b>Sx6</b> 
<b>Ex1</b>  $\Phi M4 \times \frac{22}{0.8}$	<b>Jx3</b> 	<b>Ox6</b>  $3.5 \times \frac{16}{0.6}$	<b>Tx12</b>  $\Phi 3.0 \times \frac{30}{0.6}$


1



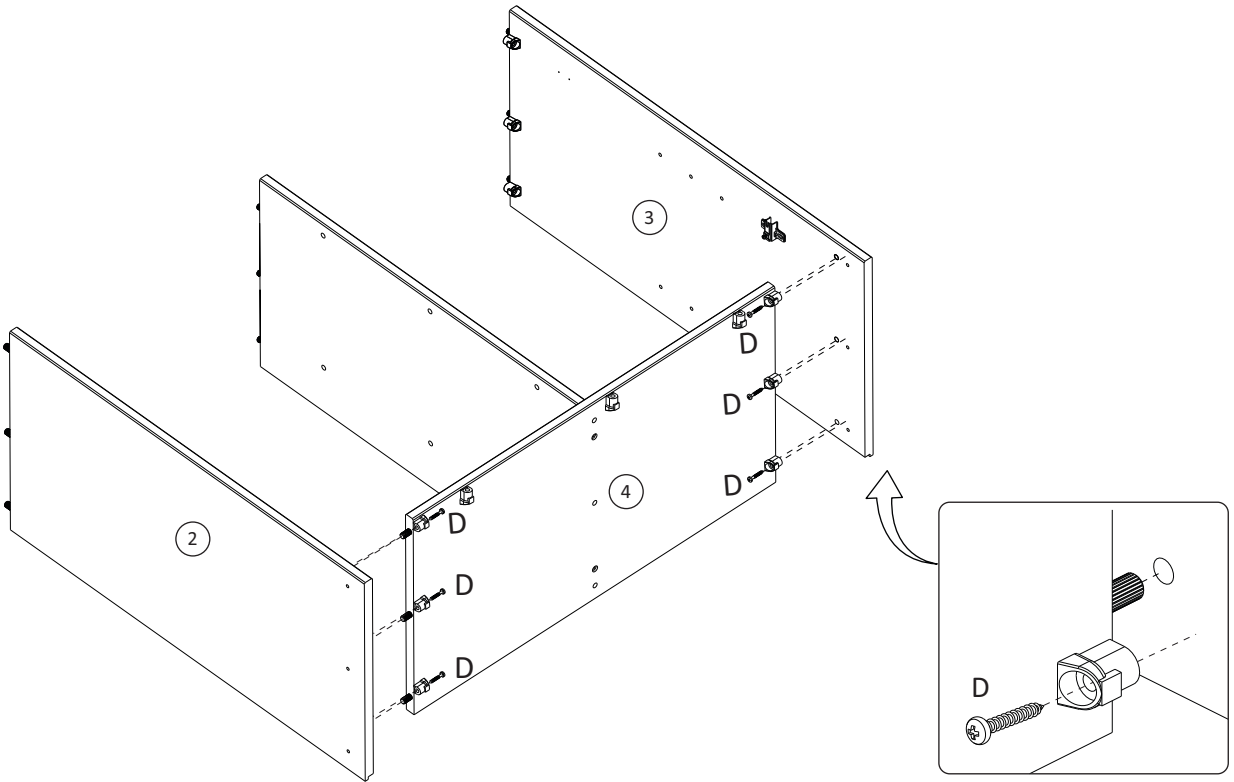
Ax30			
Fx2		Ix30	
Hx4		Rx2	

2



Cx2	
-----	---

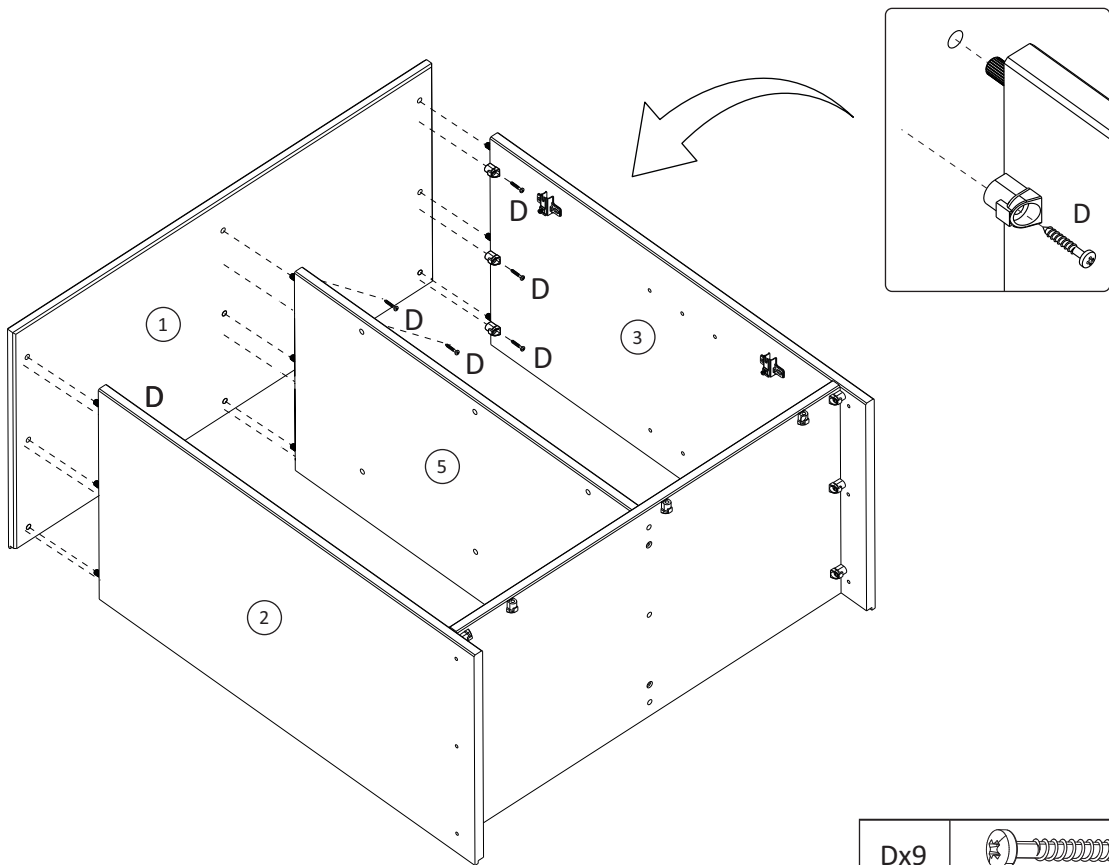
3



Dx6



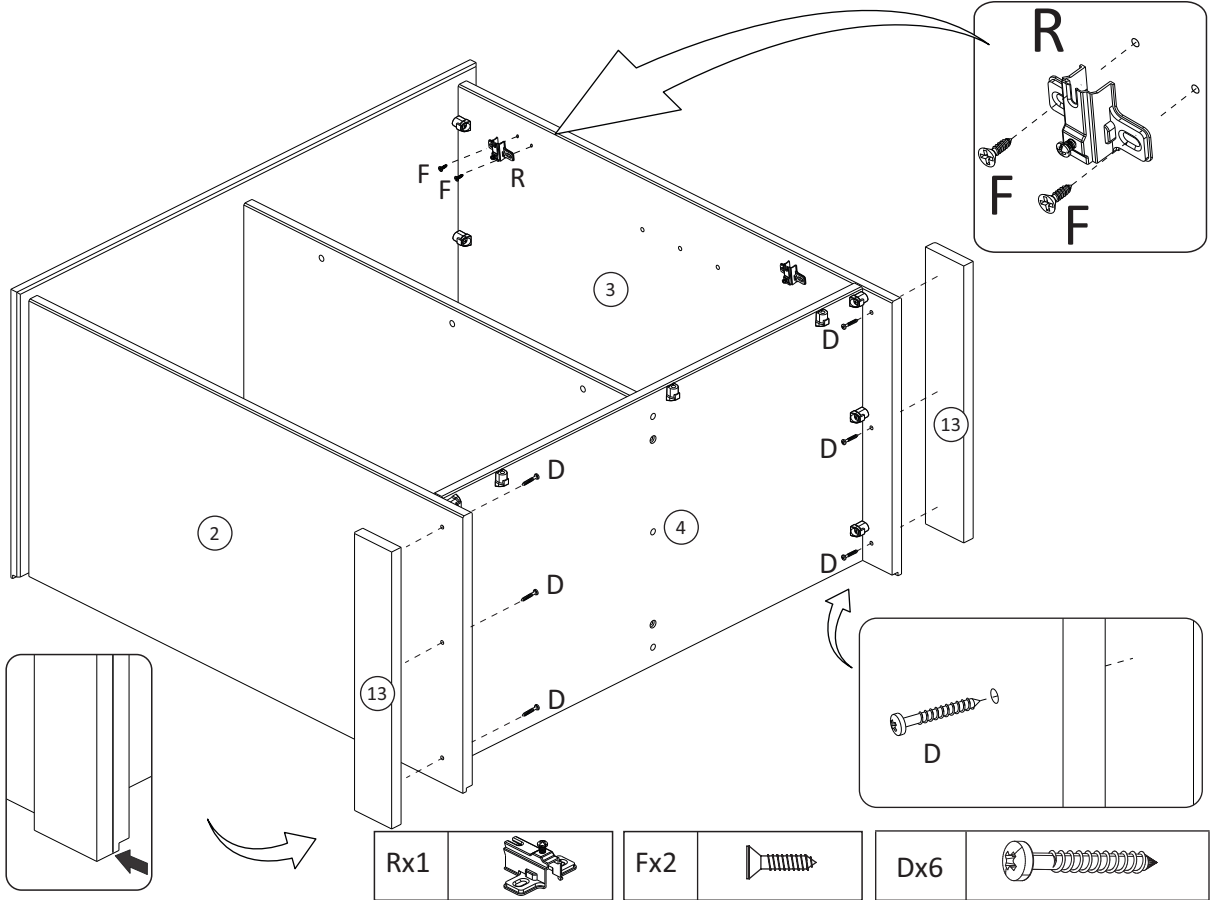
4



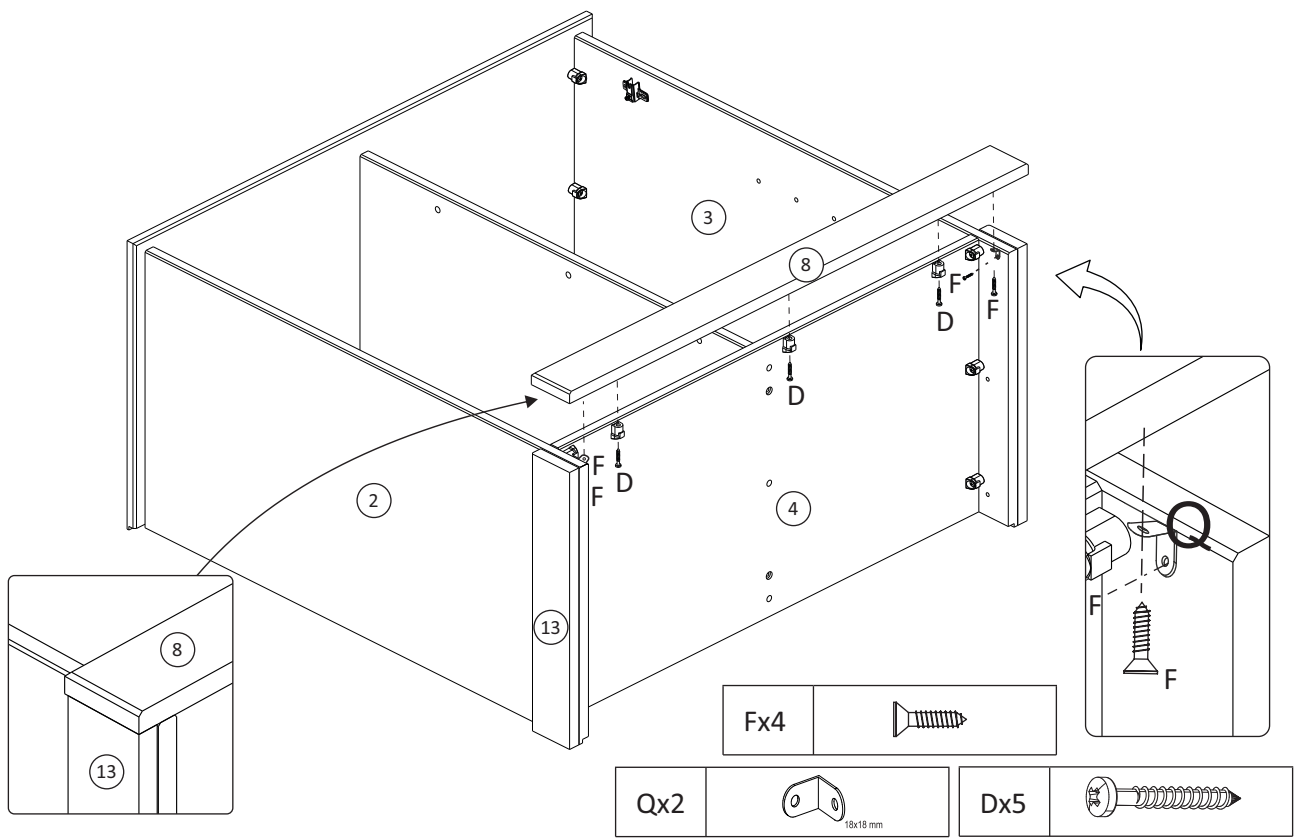
Dx9



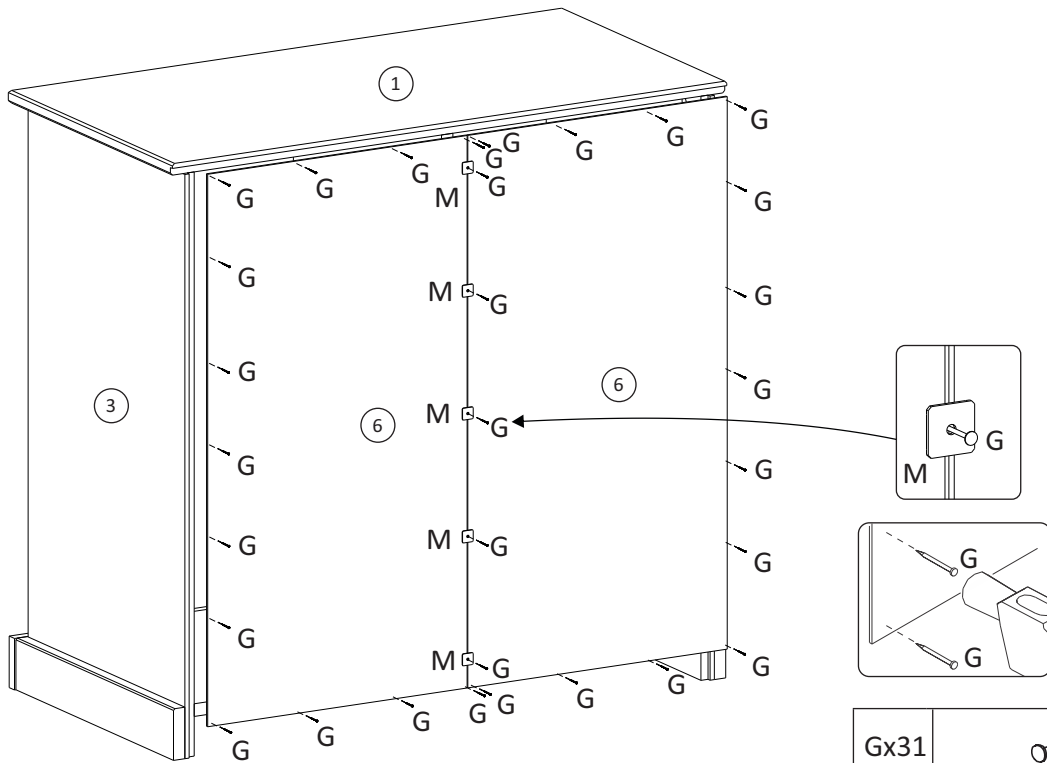
5





6

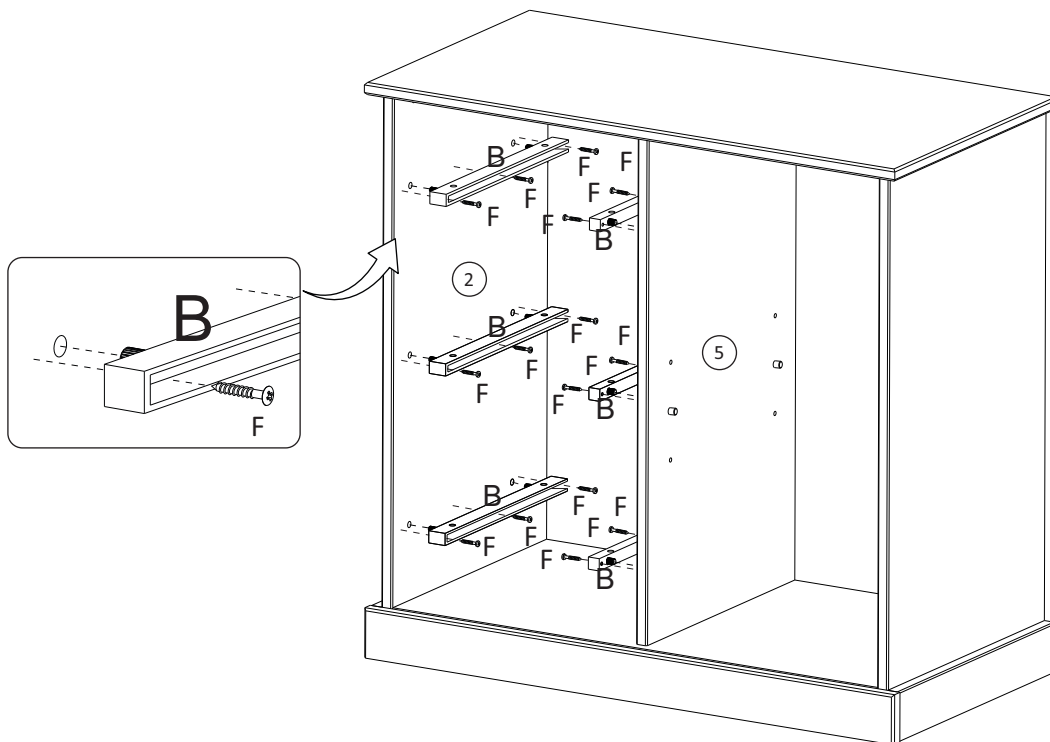


7



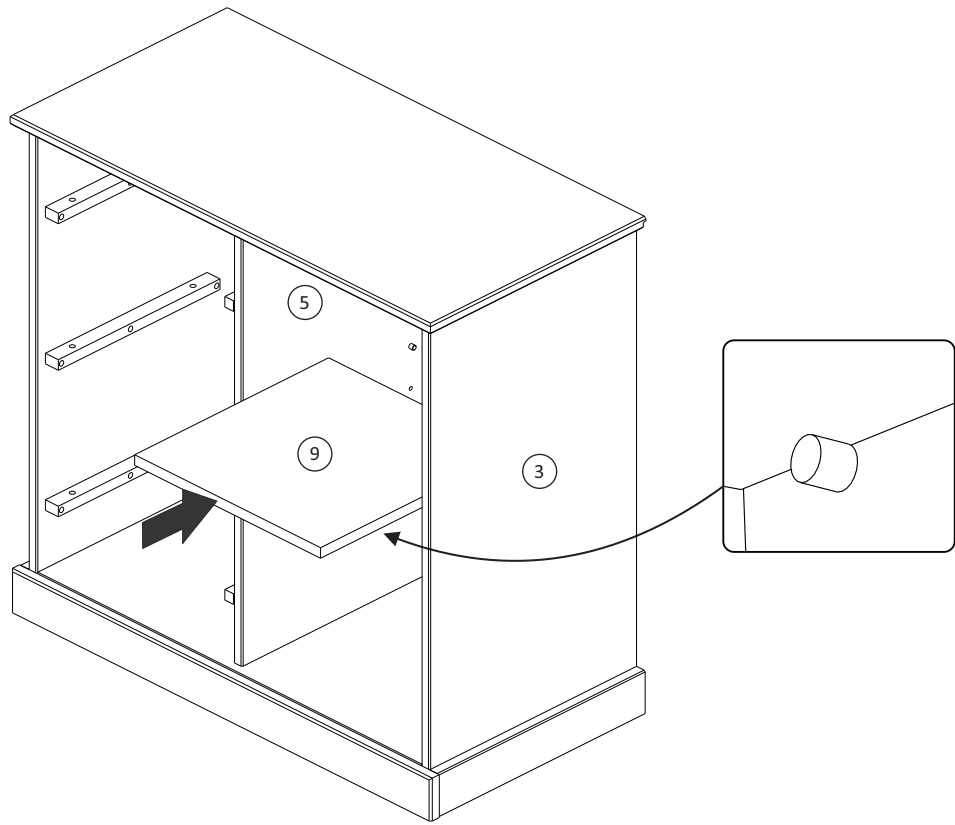
Gx31	
Mx5	

8

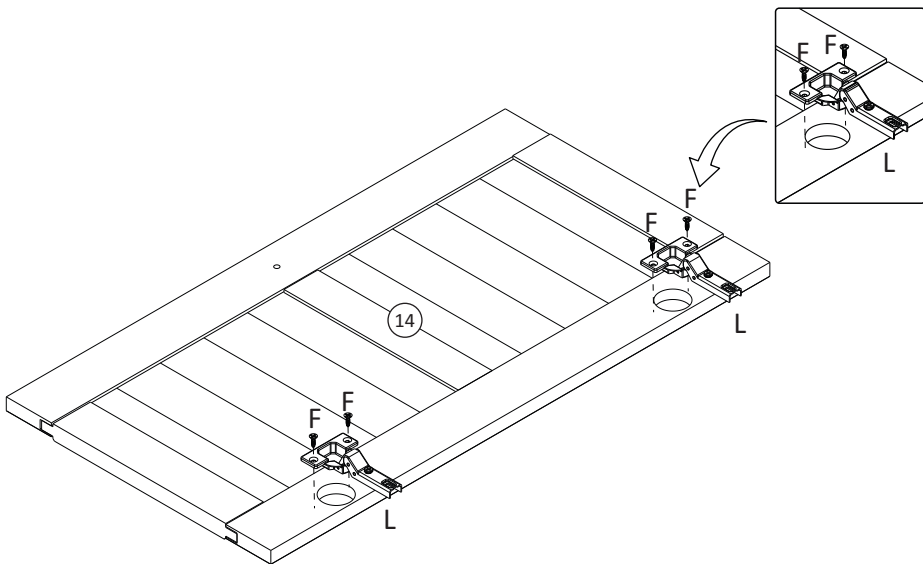




Fx18		Bx6	
------	---	-----	---

9

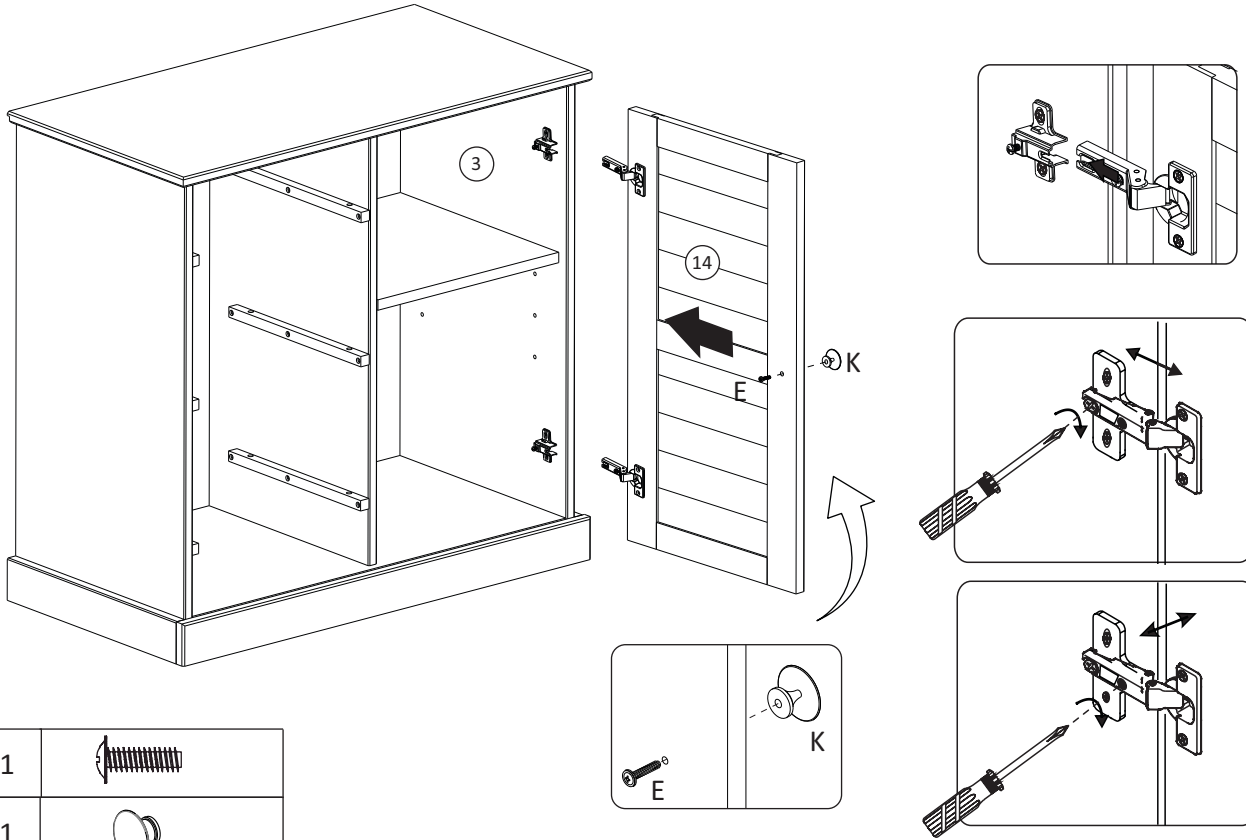


10

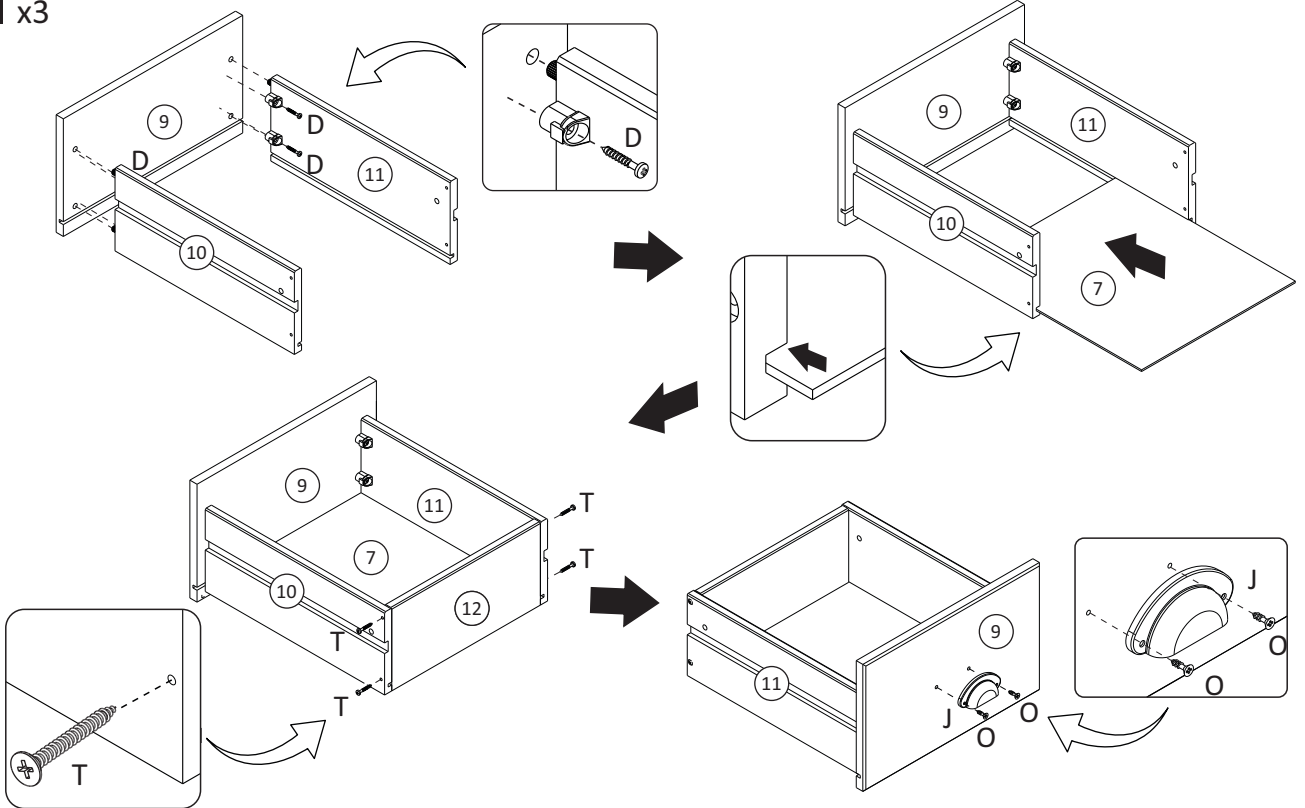


Fx4	
Lx2	

11

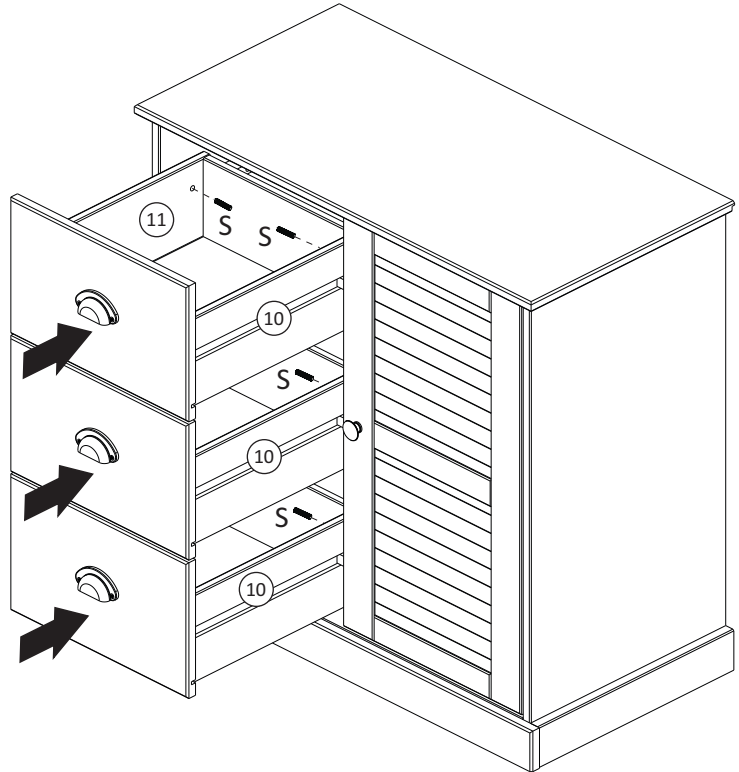


12 x3

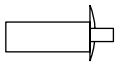


Dx12		Ox6		Jx3		Tx12	
------	--	-----	--	-----	--	------	--

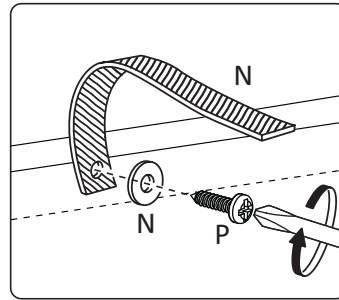
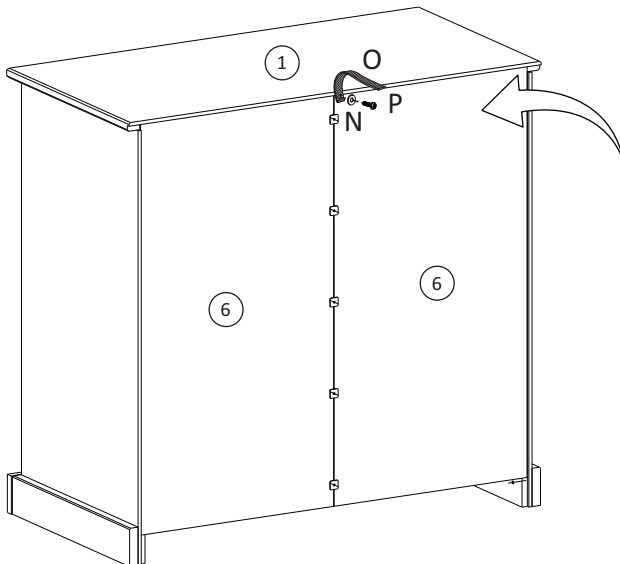
13



Sx6



14



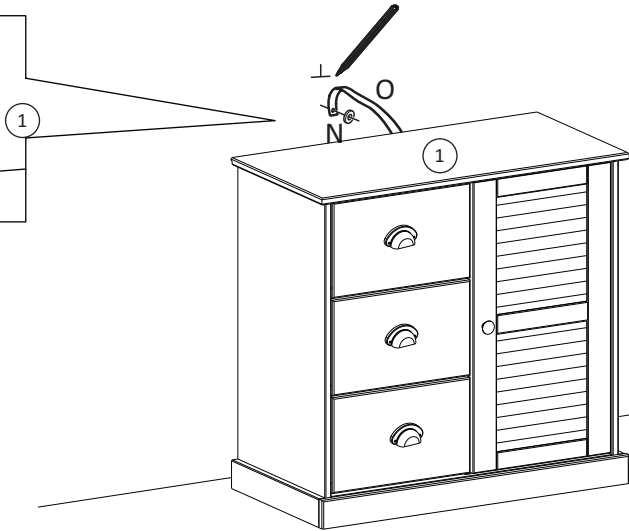
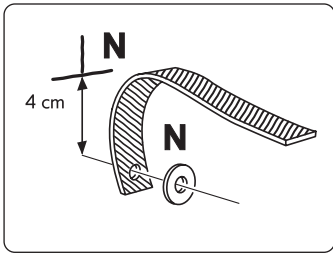
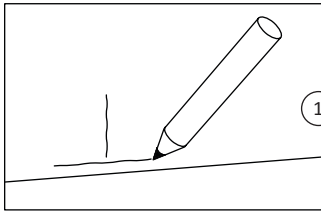
Nx1



Px1



15



Nx1	
-----	--

16