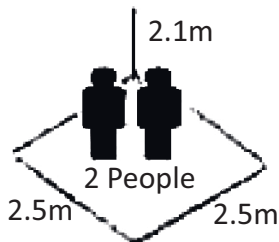
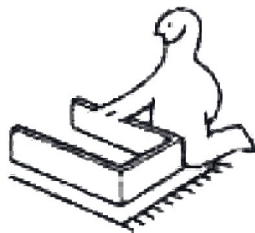


mm
inch

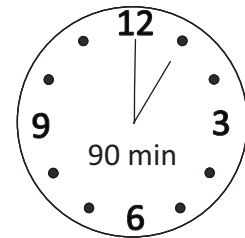
1



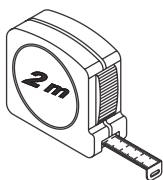
2



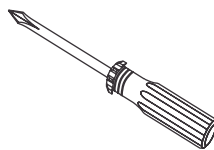
3



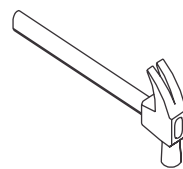
1

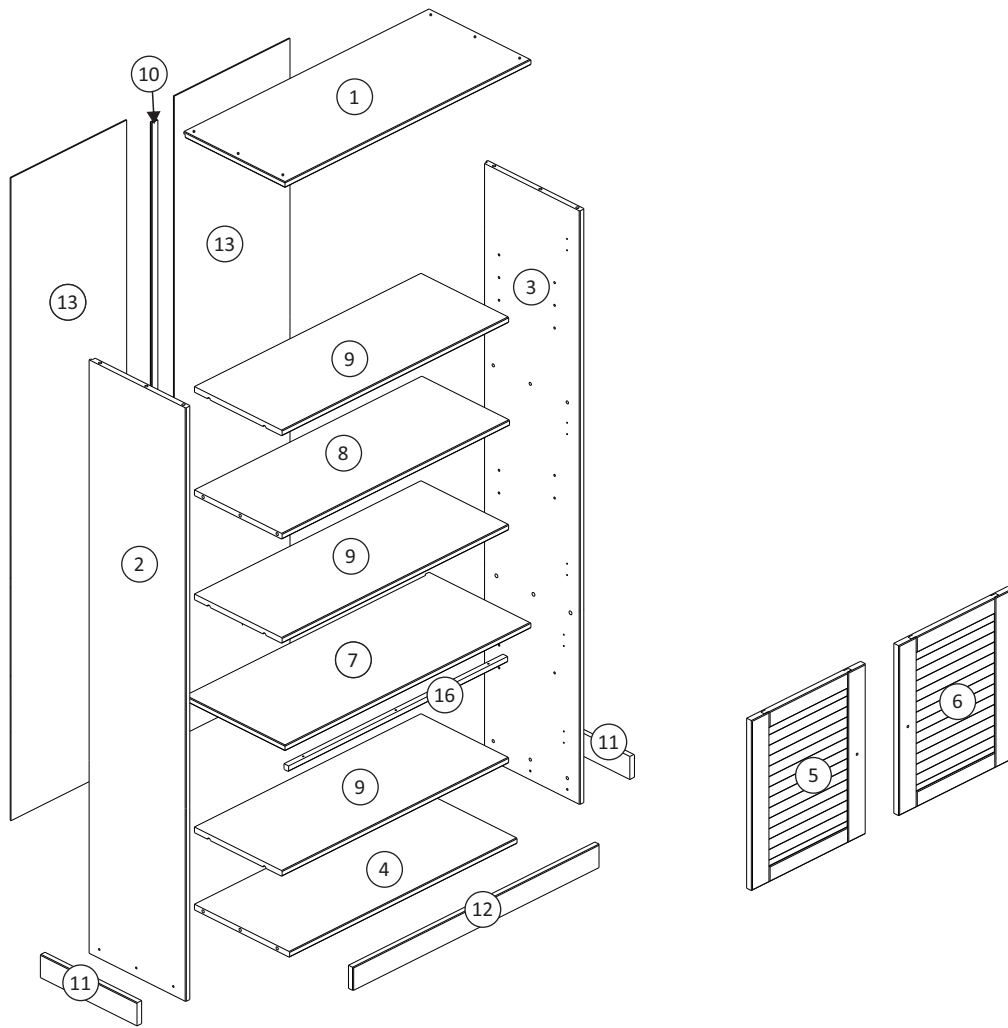




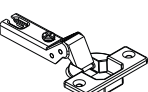
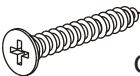

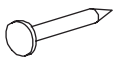
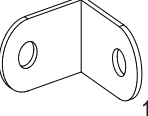
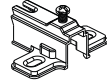

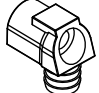

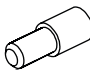



2



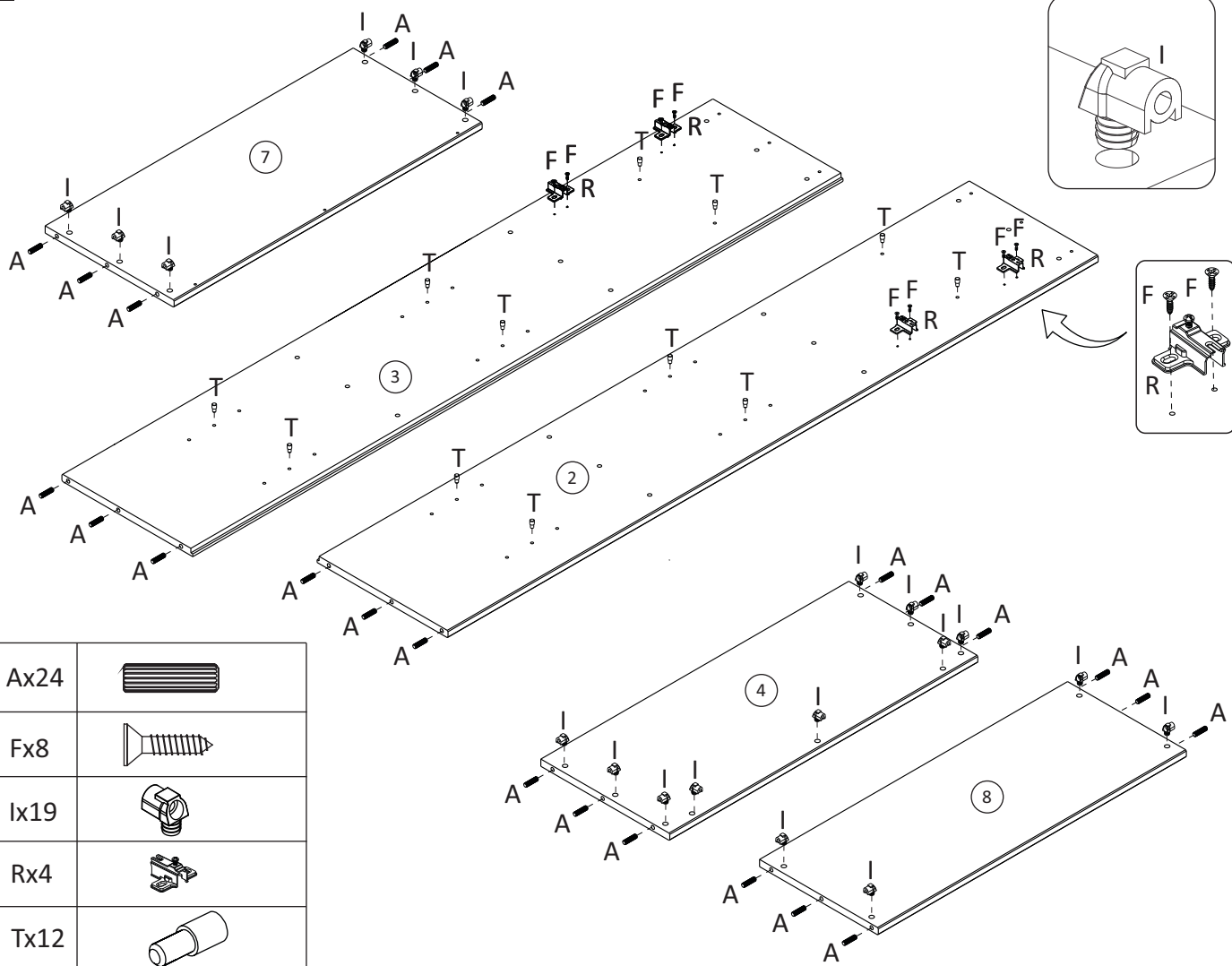
3





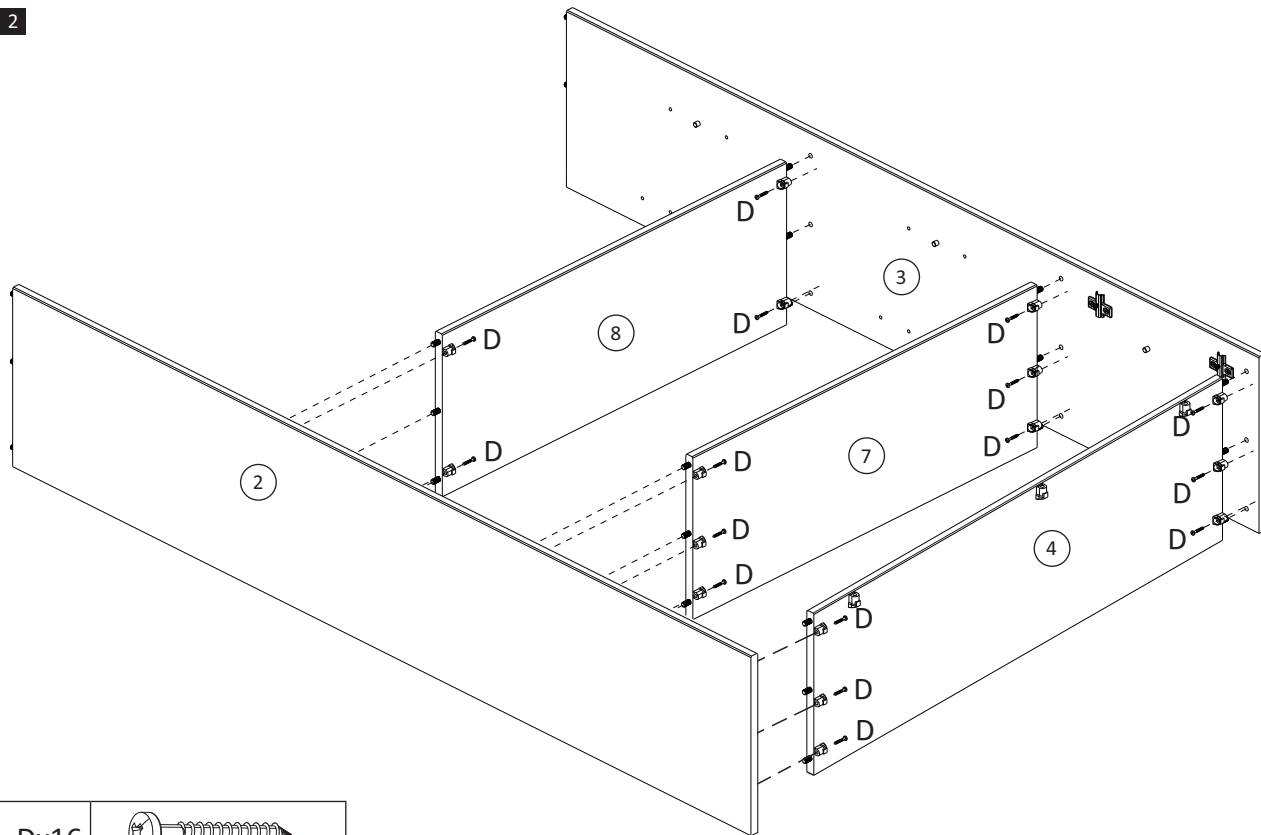
Ax24  $\Phi 8 \times \frac{25}{1.0}$	Fx20  $3.5 \times \frac{14}{0.6}$	Lx4 	Px1  $\Phi 3.5 \times \frac{22}{0.6}$
Cx6  $4.0 \times \frac{40}{1.6}$	Gx40  $\frac{10 \times 10}{0.3 \times 0.3}$	Mx2  18x18 mm	Rx4 
Dx28  $3.5 \times \frac{25}{0.99}$	Ix19 	Nx2 	Tx12 
Ex2  $\Phi M4 \times \frac{22}{0.8}$	Kx2 	Ox1 	

1



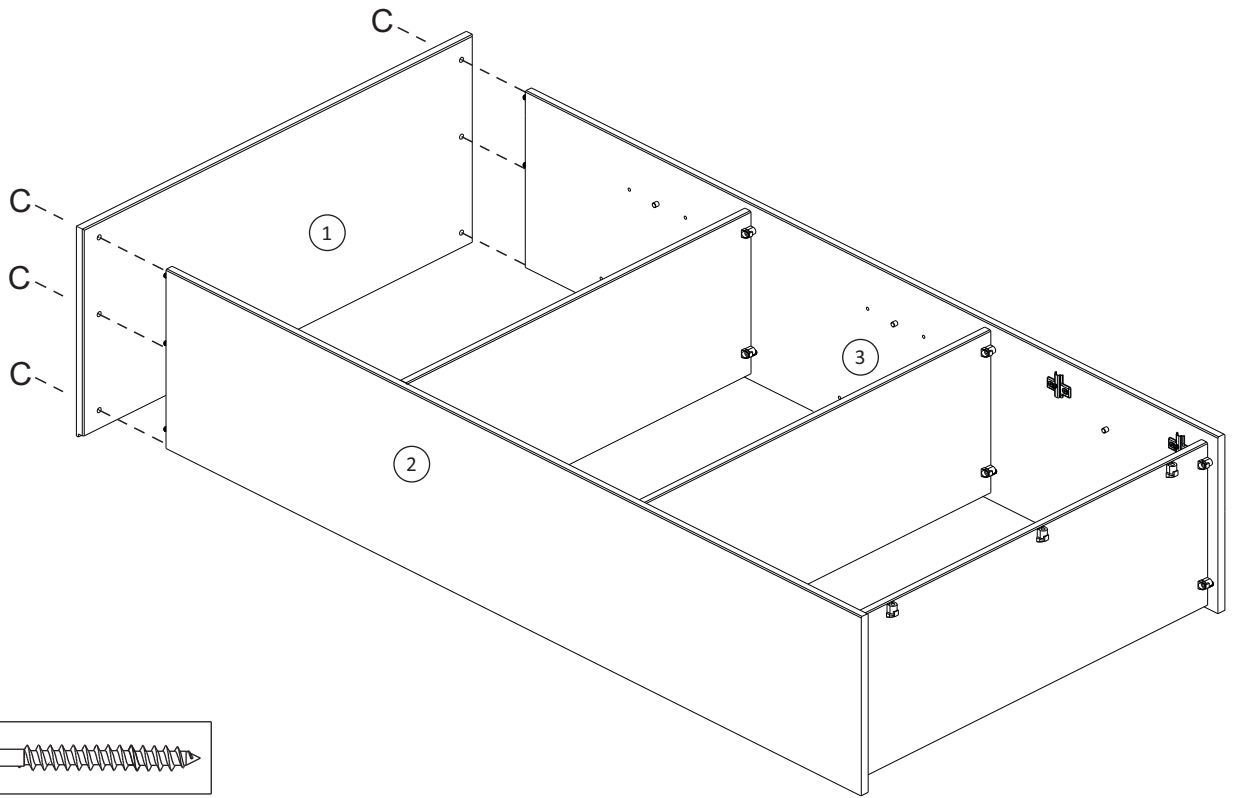
Ax24	
Fx8	
Ix19	
Rx4	
Tx12	

2

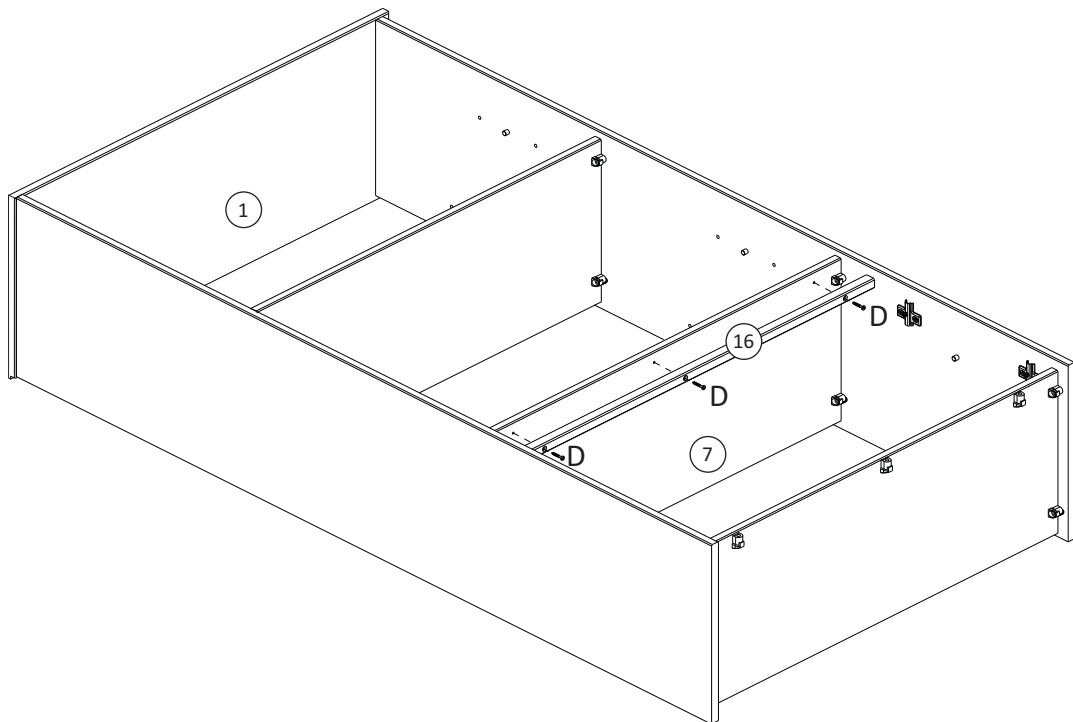


Dx16	
------	--

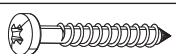
3



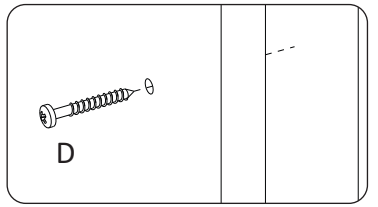
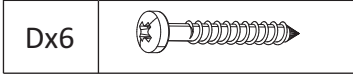
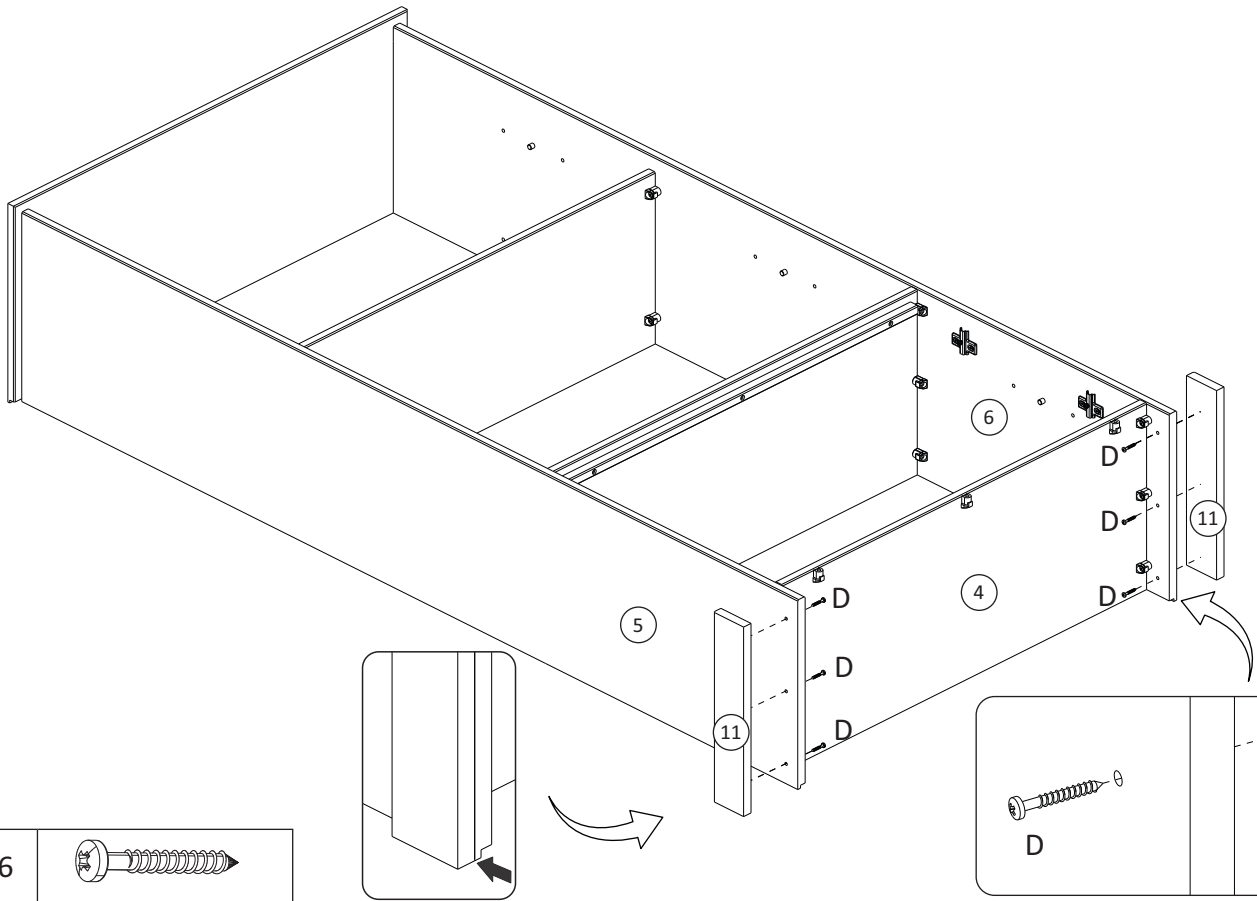
4



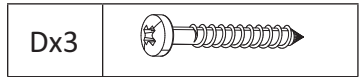
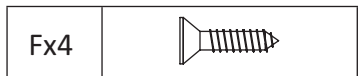
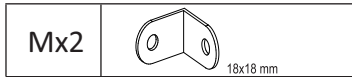
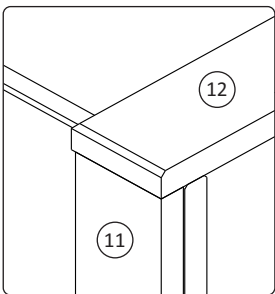
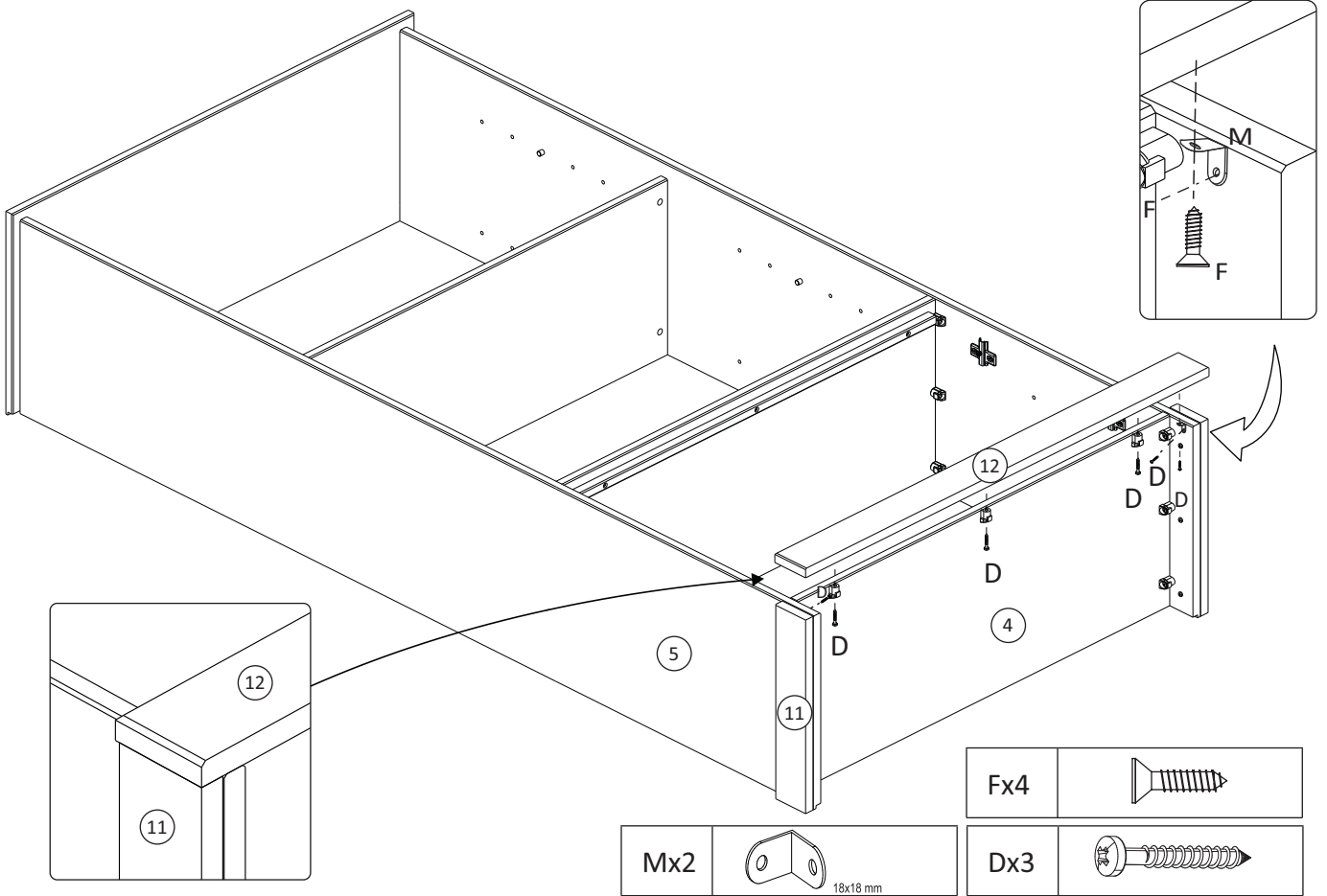
Dx3



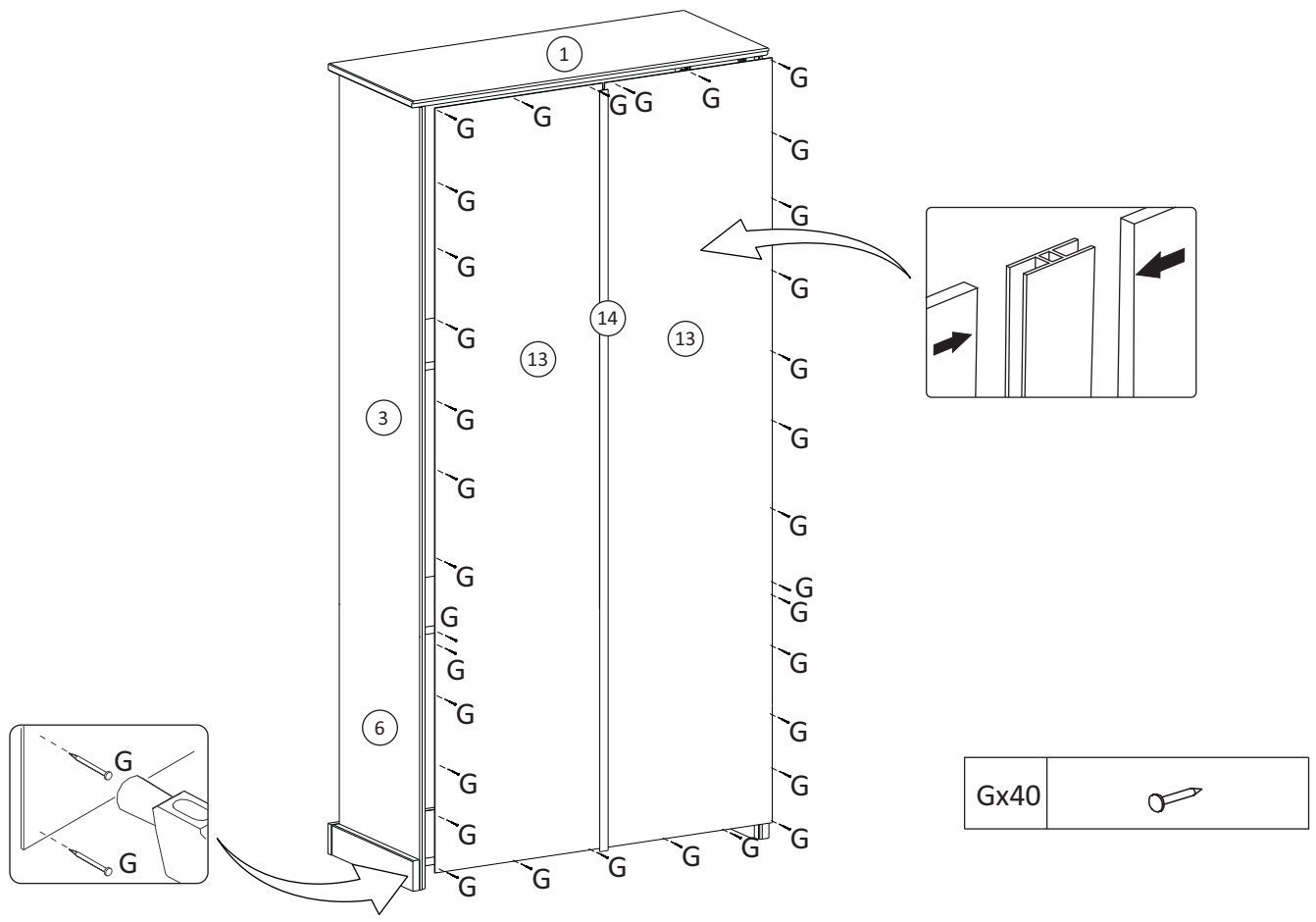
5



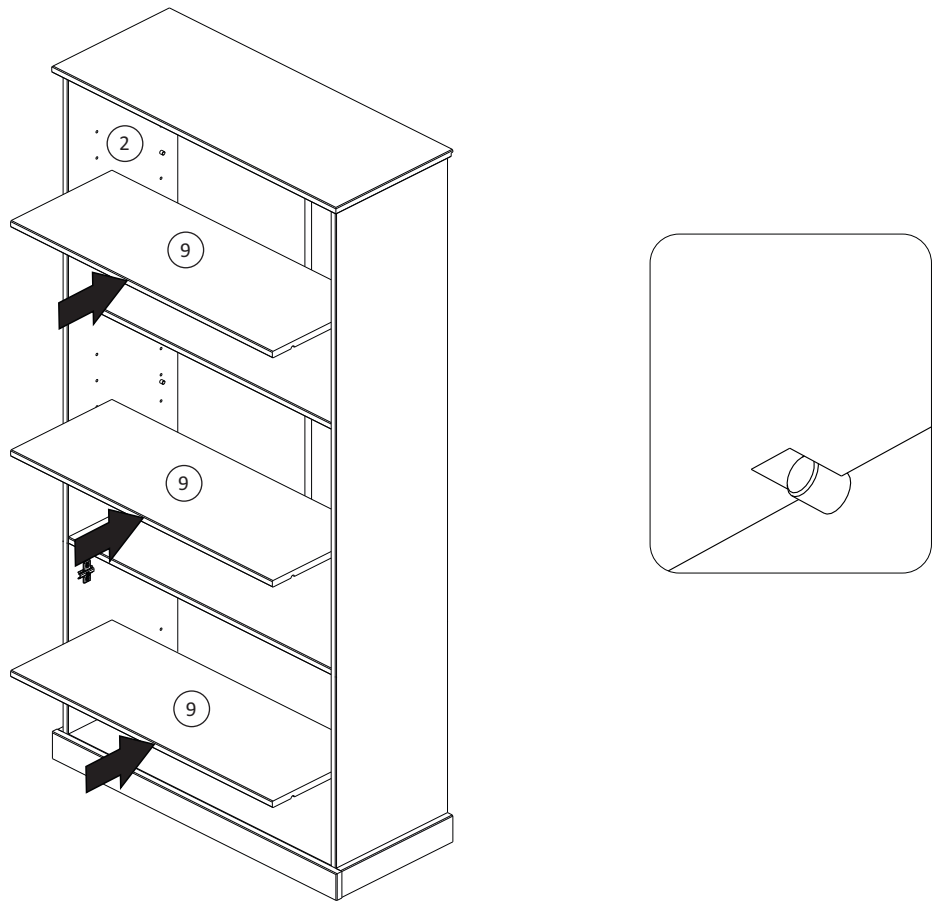
6



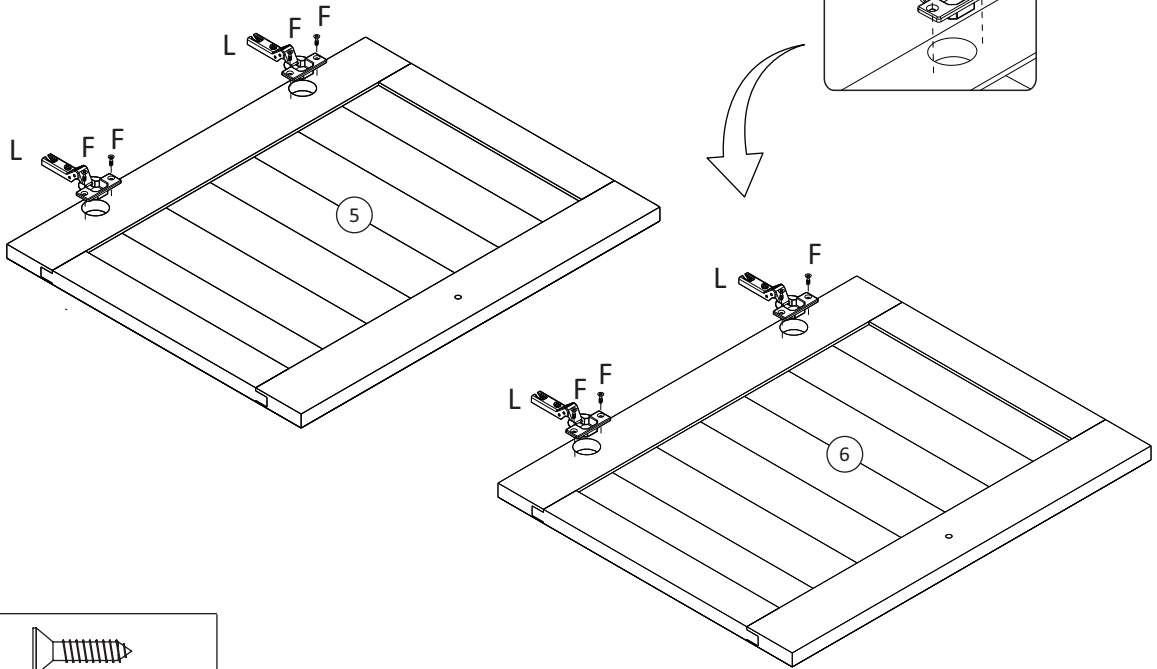
7





8

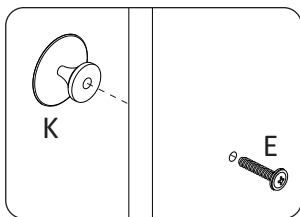
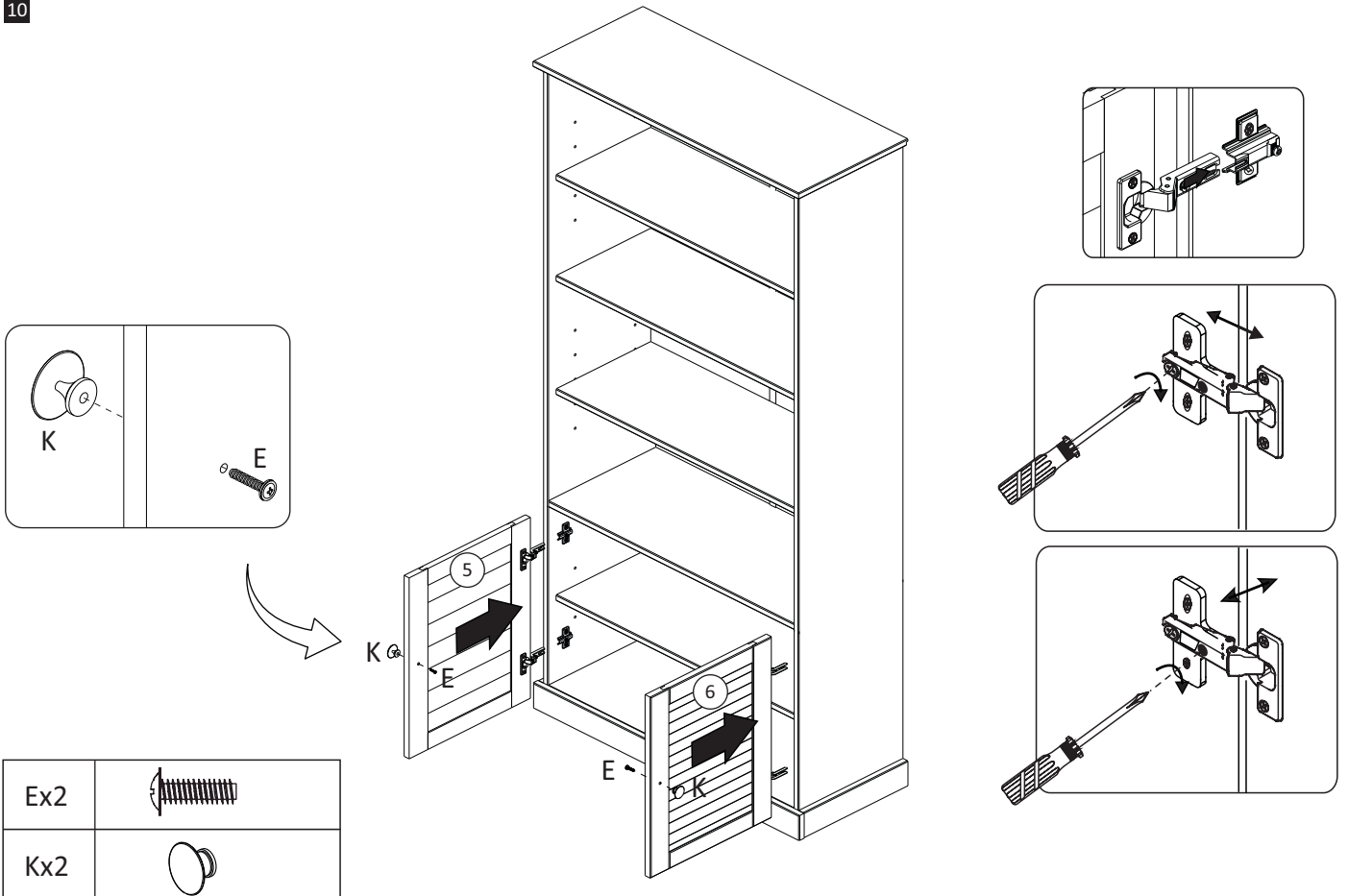




9



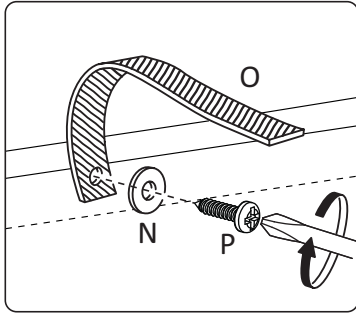
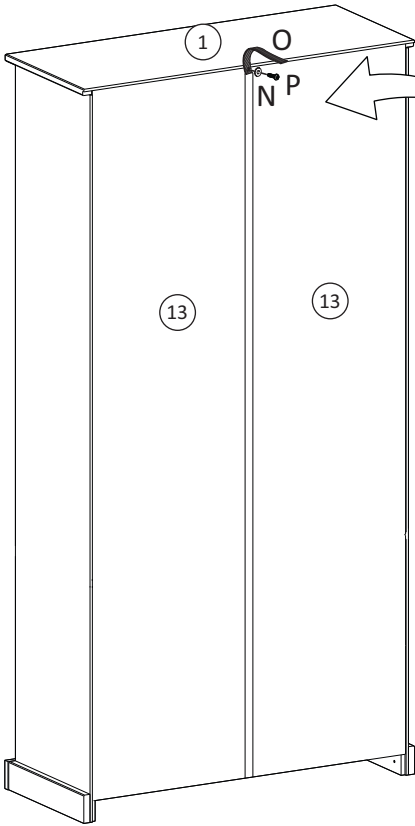
Fx8	
Lx4	

10



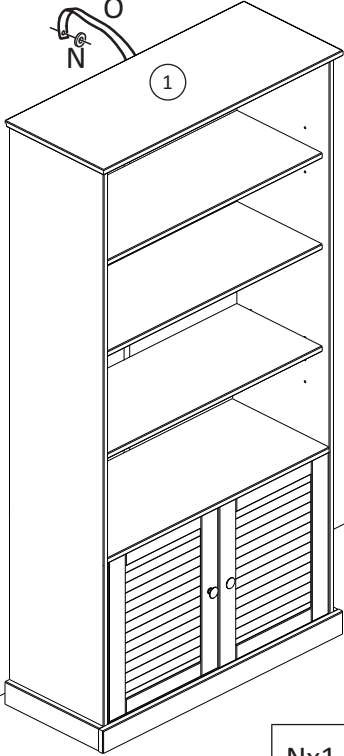
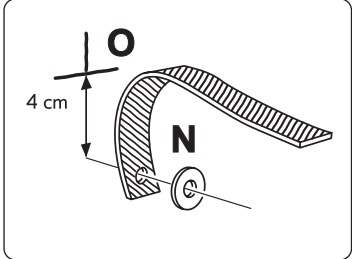
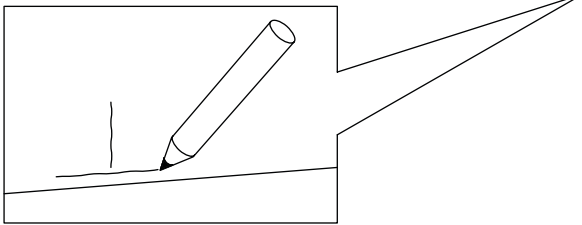
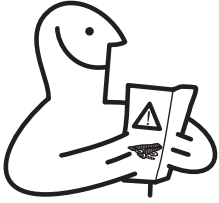
Ex2	
Kx2	

11



Nx1	
Ox1	
Px1	

12



Nx1	
-----	--