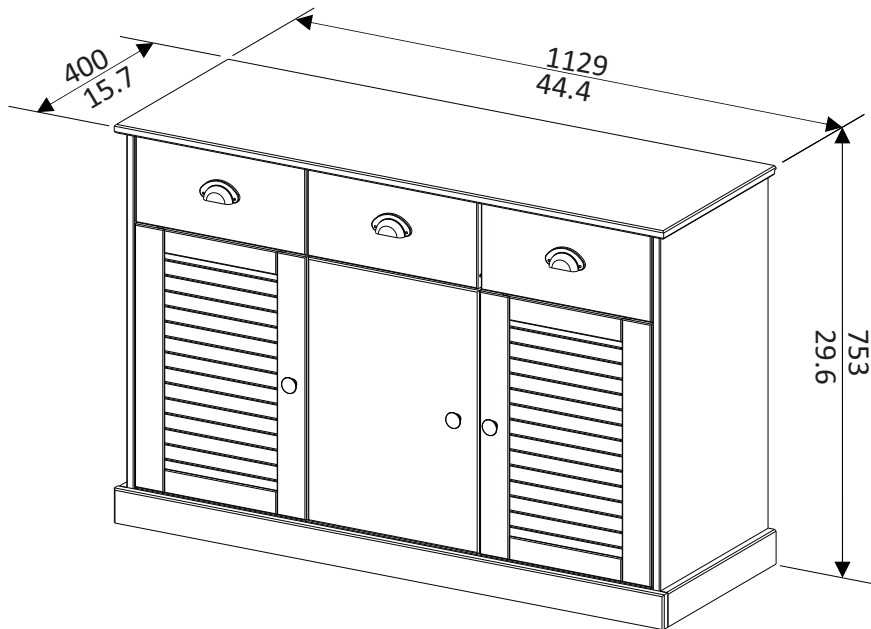
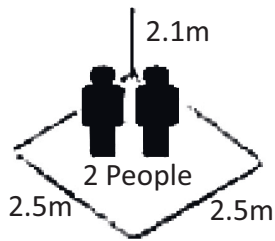


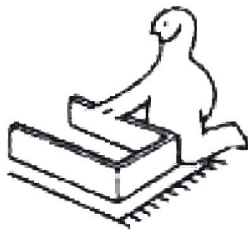
mm  
inch



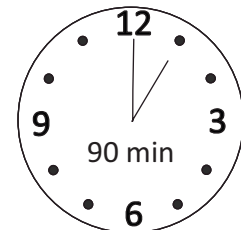
1



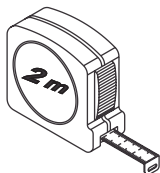
2



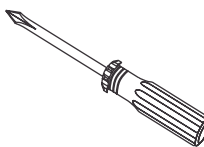
3



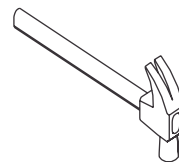
1

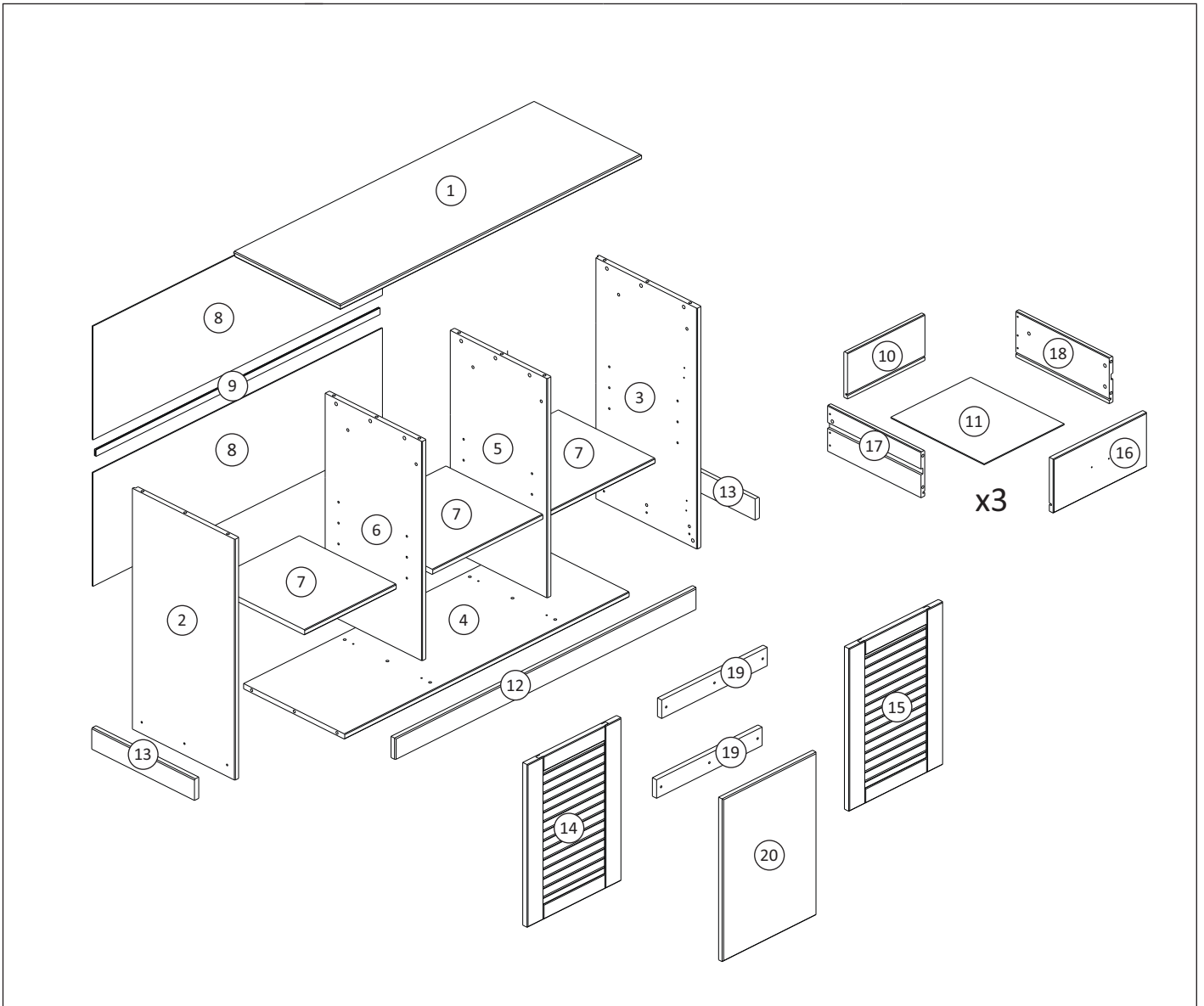



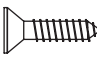

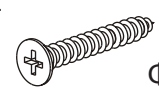


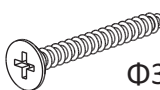

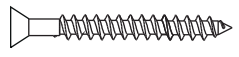
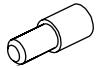
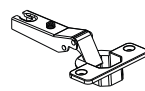
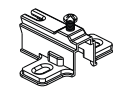

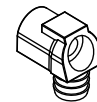

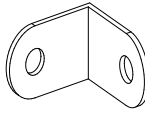



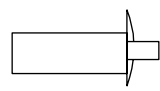
2



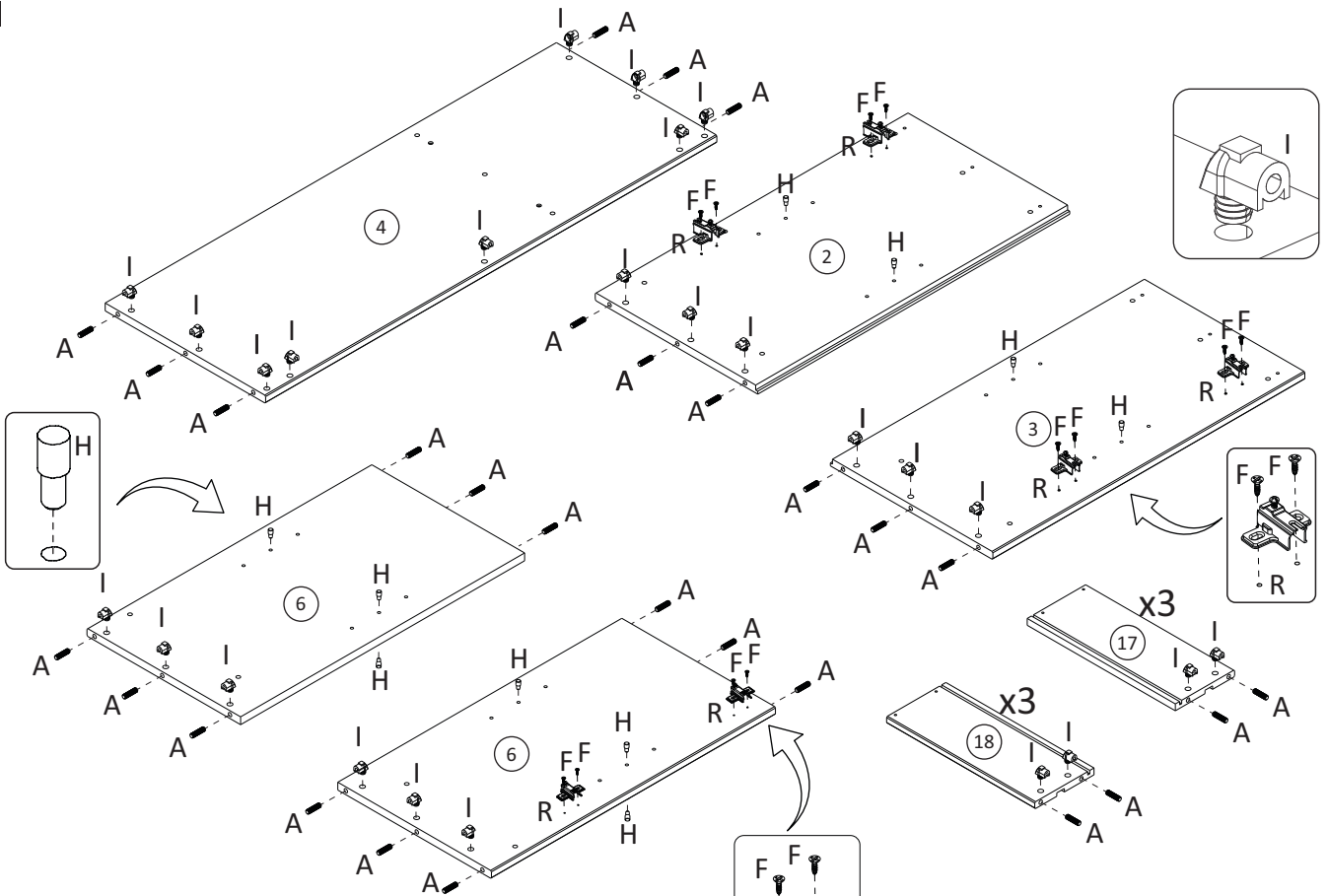
3





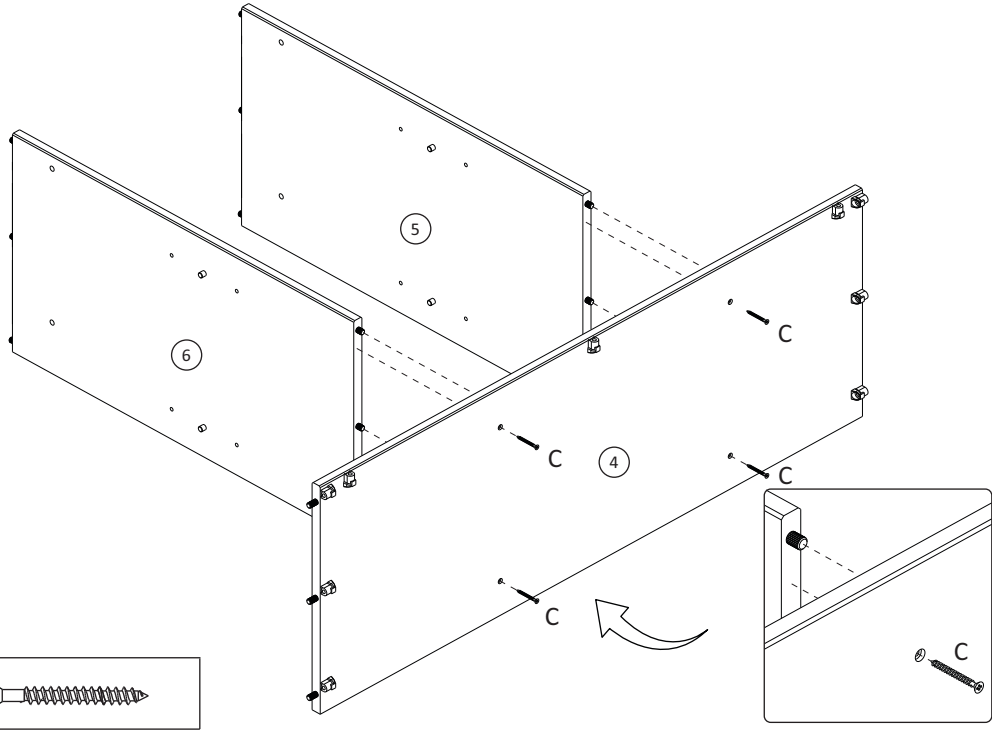
<b>Ax36</b>  $\Phi 8 \times \frac{25}{1.0}$	<b>Fx46</b>  $3.5 \times \frac{14}{0.6}$	<b>Kx3</b> 	<b>Px1</b>  $\Phi 3.5 \times \frac{22}{0.6}$
<b>Bx6</b> 	<b>Gx30</b>  $8 \times 8$ $0.3 \times 0.3$	<b>Lx12</b>  $\Phi 3.0 \times \frac{30}{0.6}$	<b>Qx6</b>  $3.5 \times \frac{16}{0.6}$
<b>Cx4</b>  $4.0 \times \frac{40}{1.6}$	<b>Hx12</b> 	<b>Mx6</b> 	<b>Rx6</b> 
<b>Dx57</b>  $3.5 \times \frac{25}{0.99}$	<b>Ix33</b> 	<b>Nx2</b> 	<b>Sx2</b>  18x18 mm
<b>Ex3</b>  $\Phi M4 \times \frac{22}{0.8}$	<b>Jx3</b> 	<b>Ox1</b> 	<b>Tx6</b> 

1



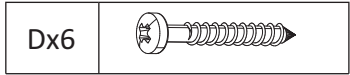
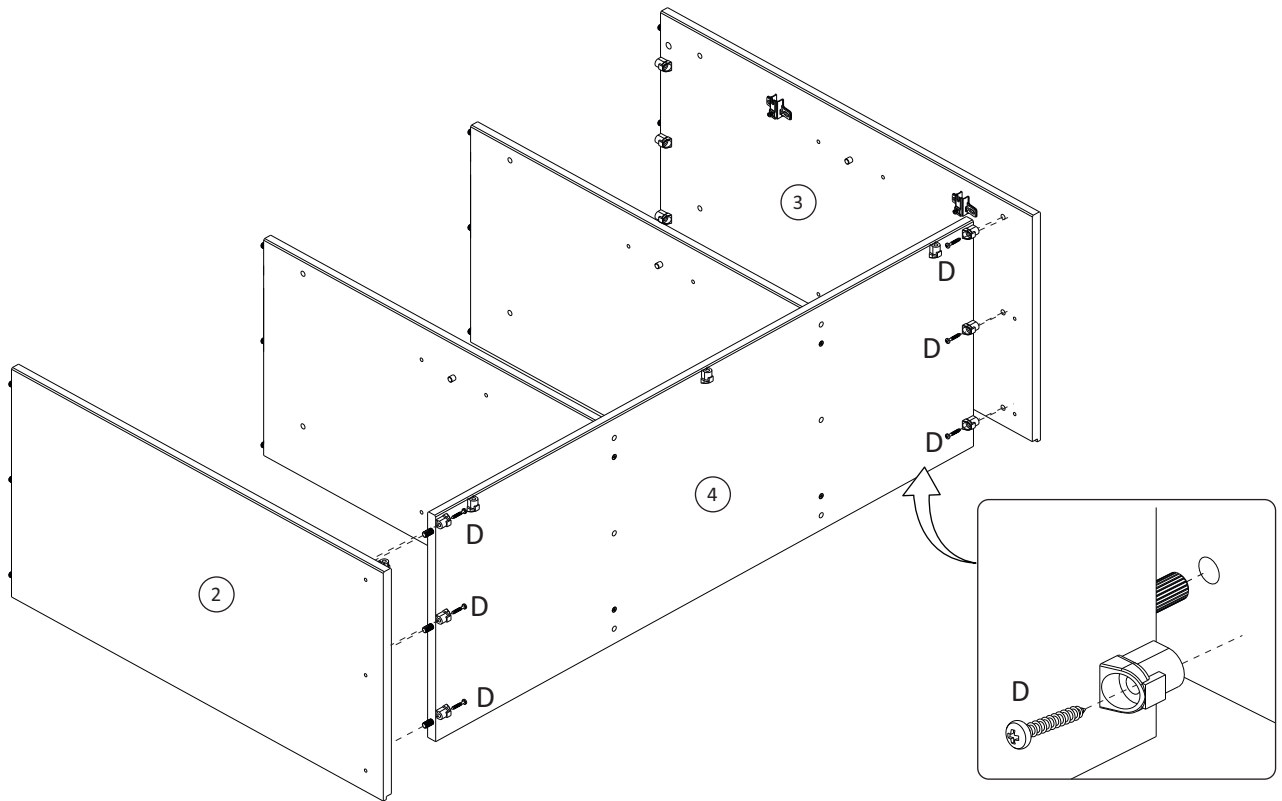
Ax36		Ix33	
Fx12		Qx6	
Hx12		Rx6	

2

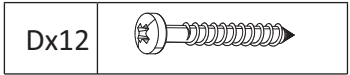
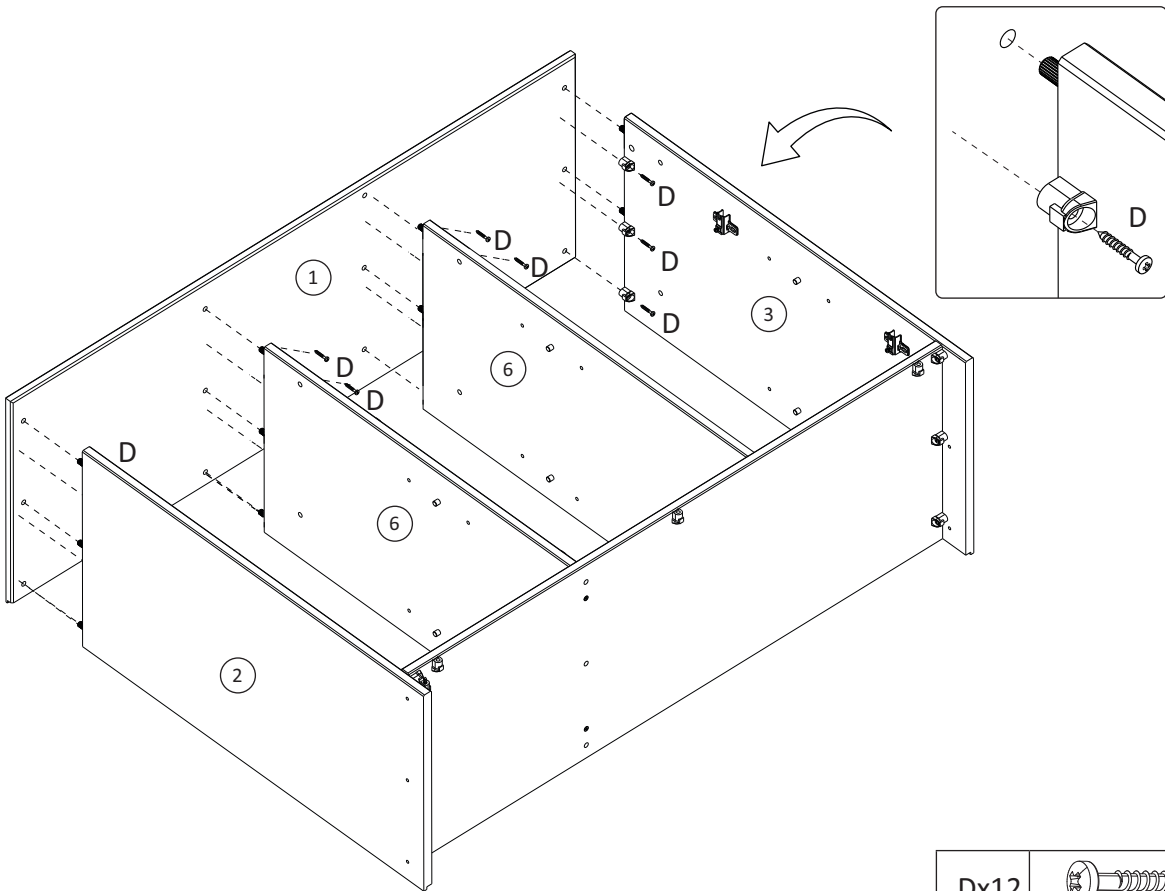


Cx4	
-----	--

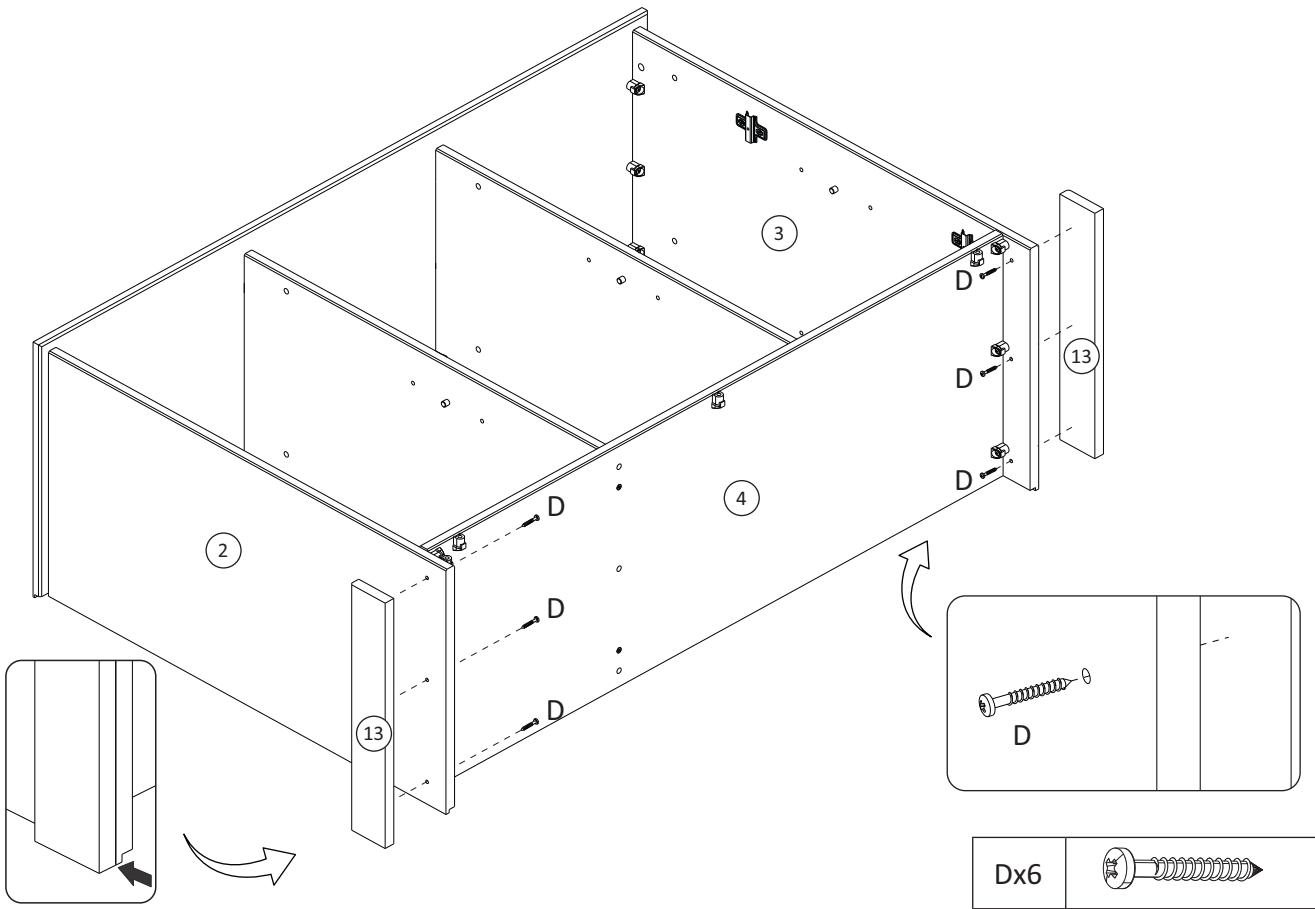
3



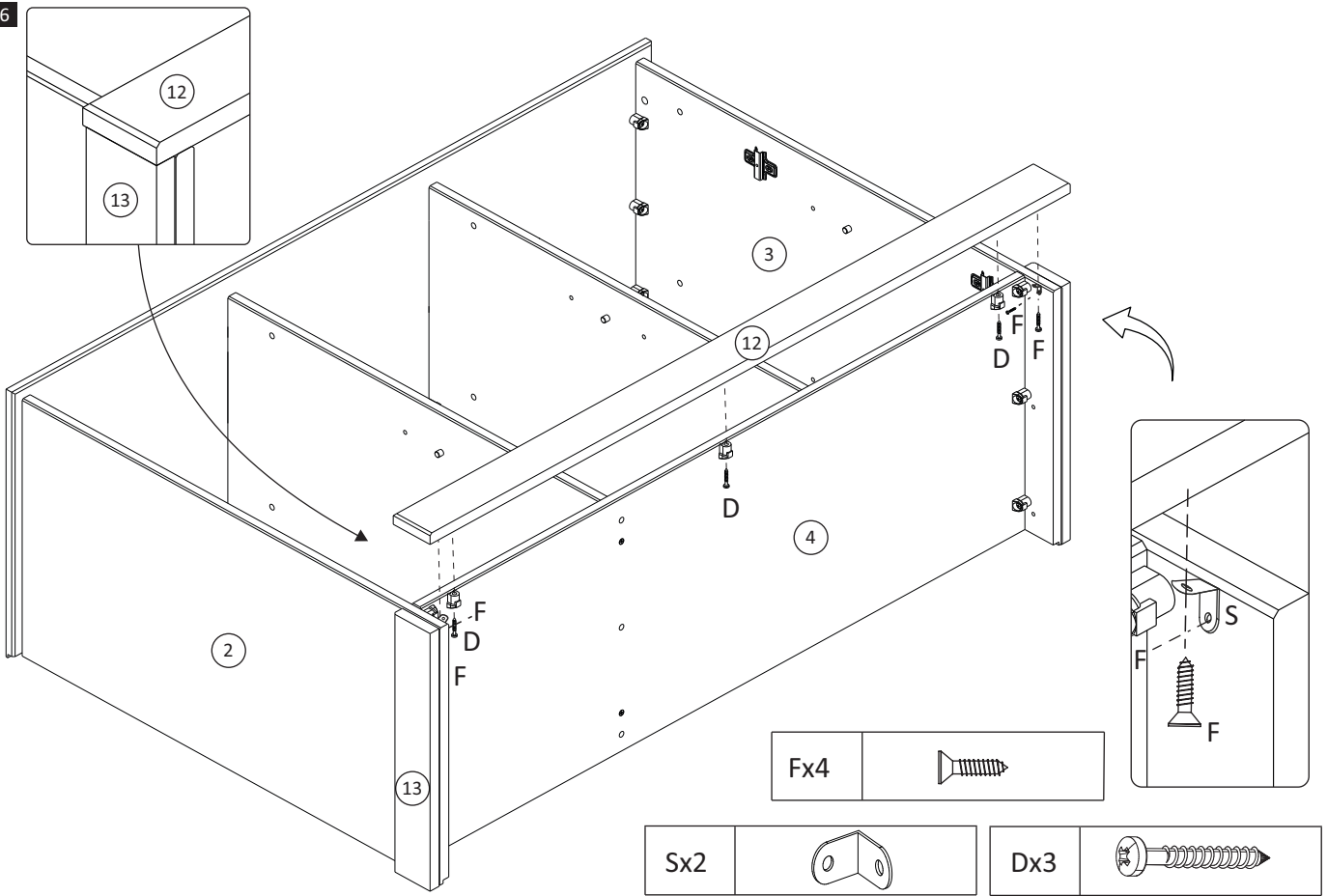
4



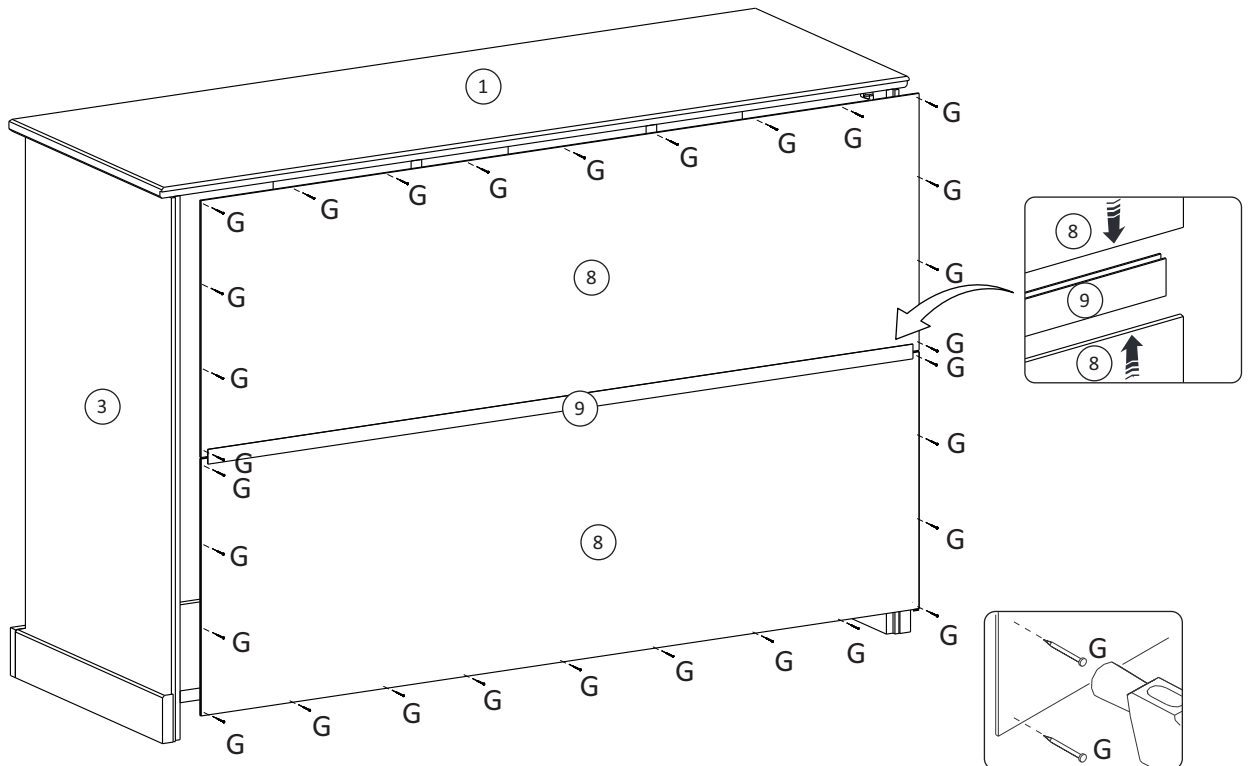
5




6

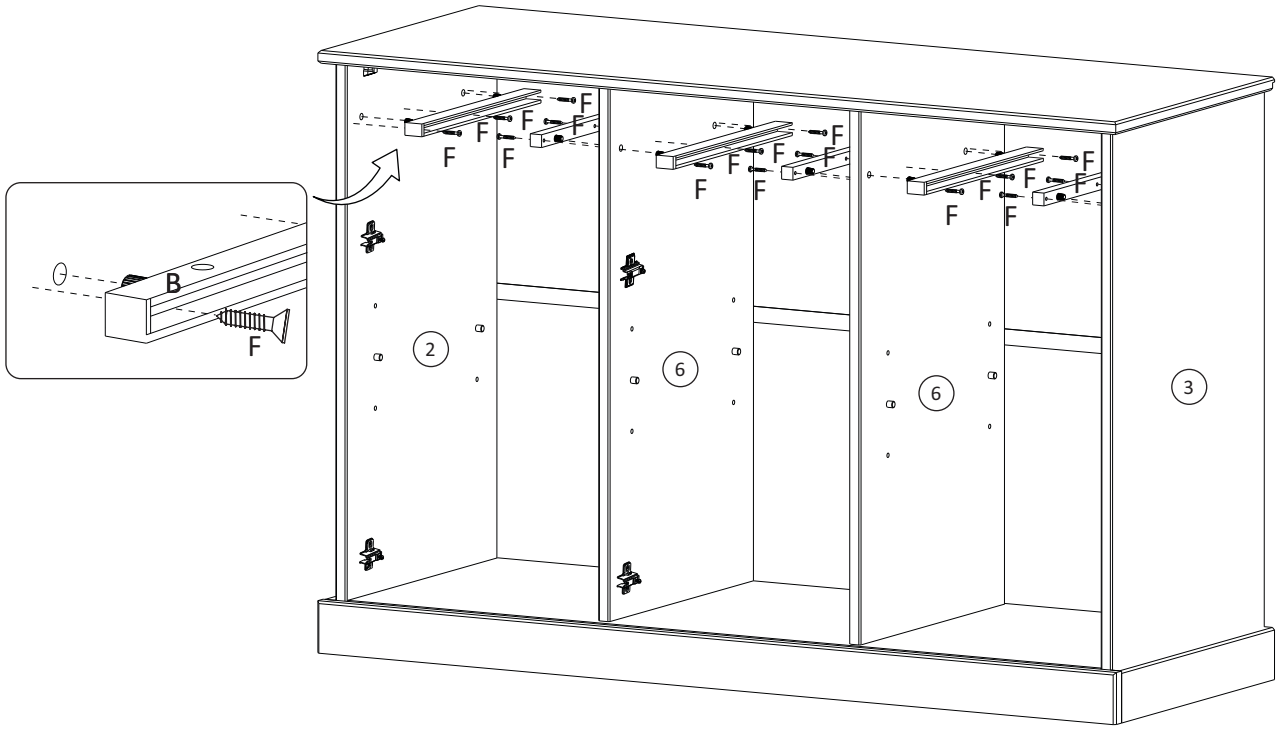


7



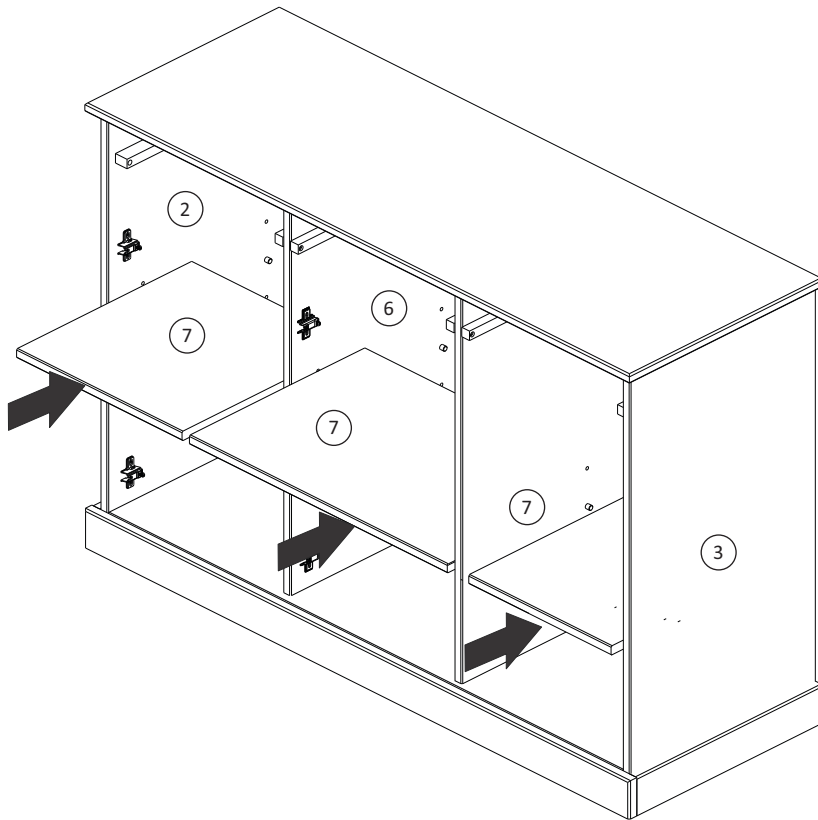
Gx30	
------	--

8

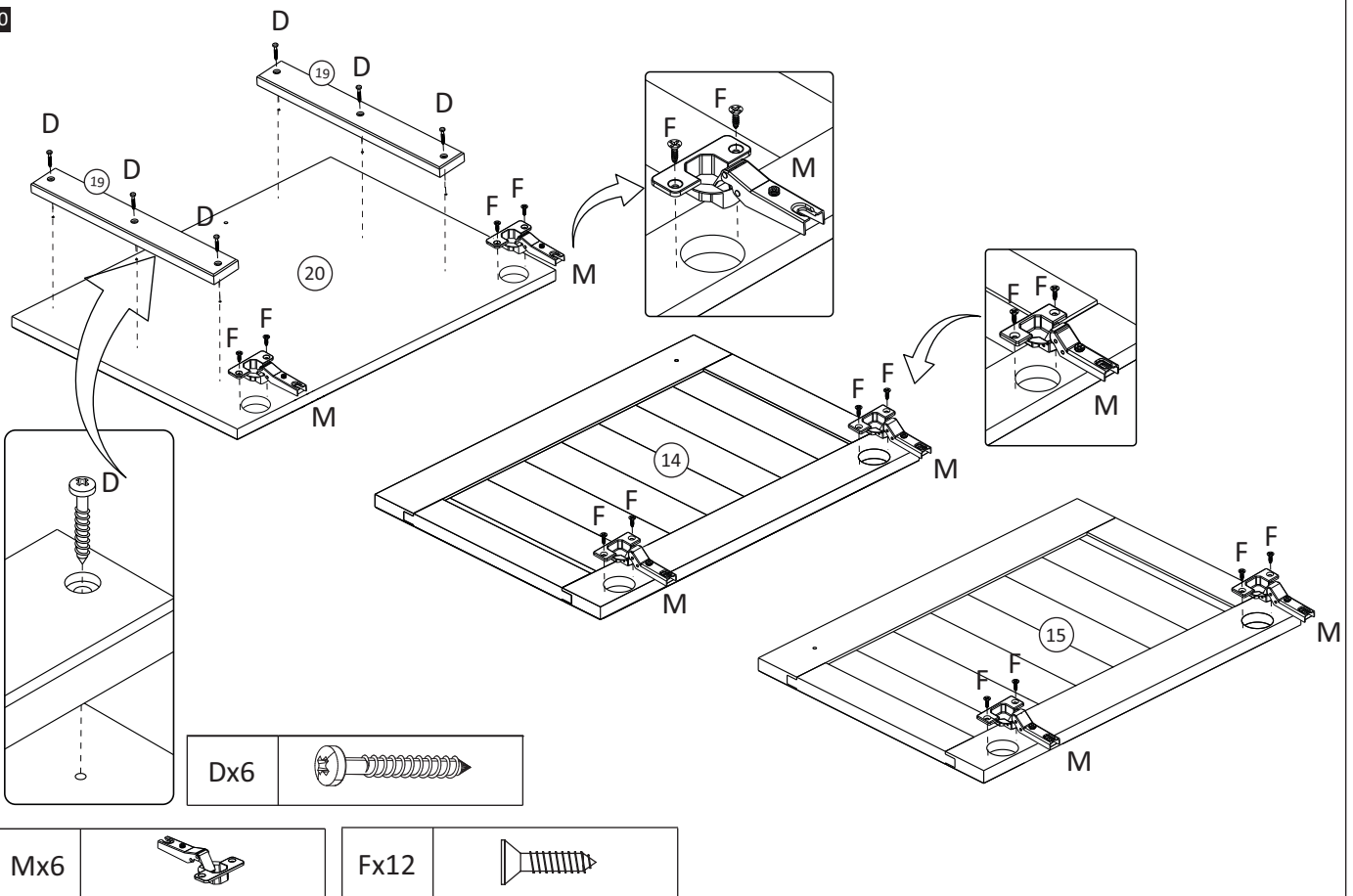


Fx18		Bx6	
------	--	-----	---

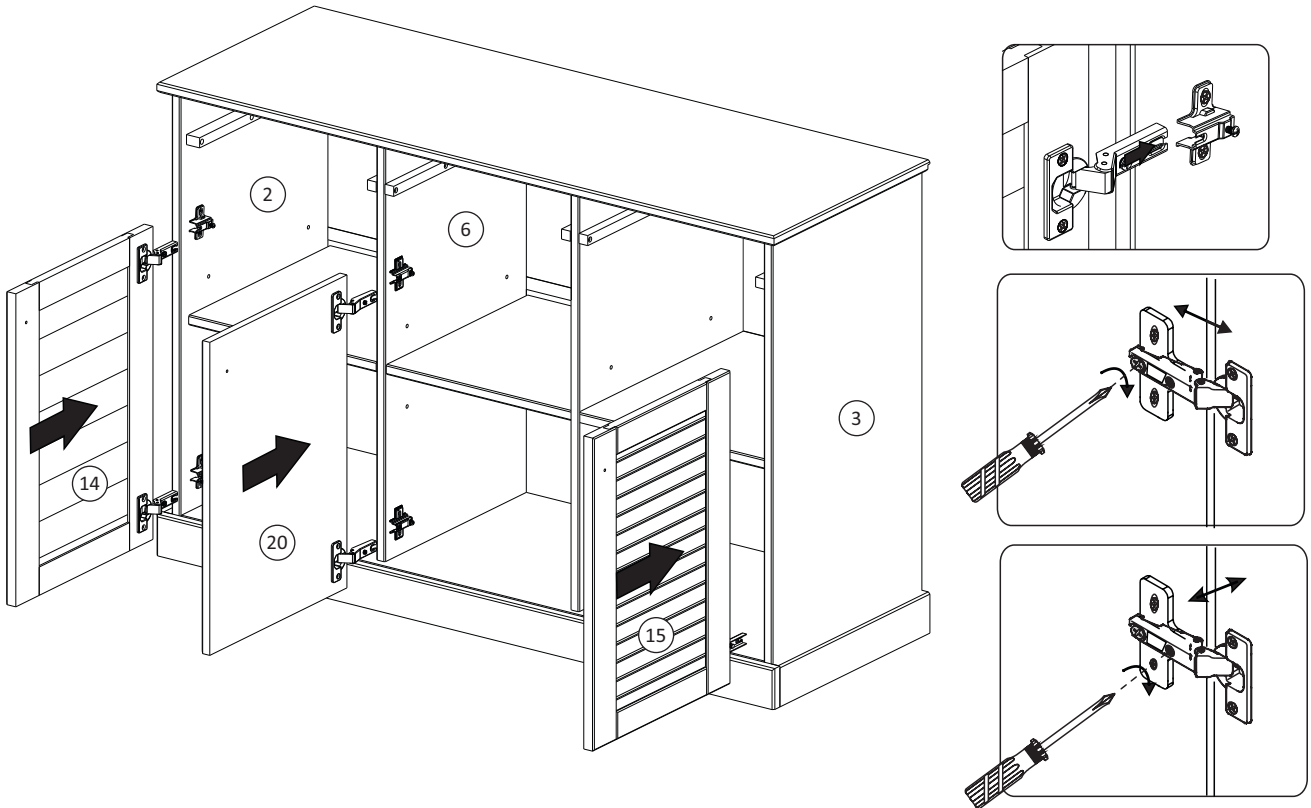
9



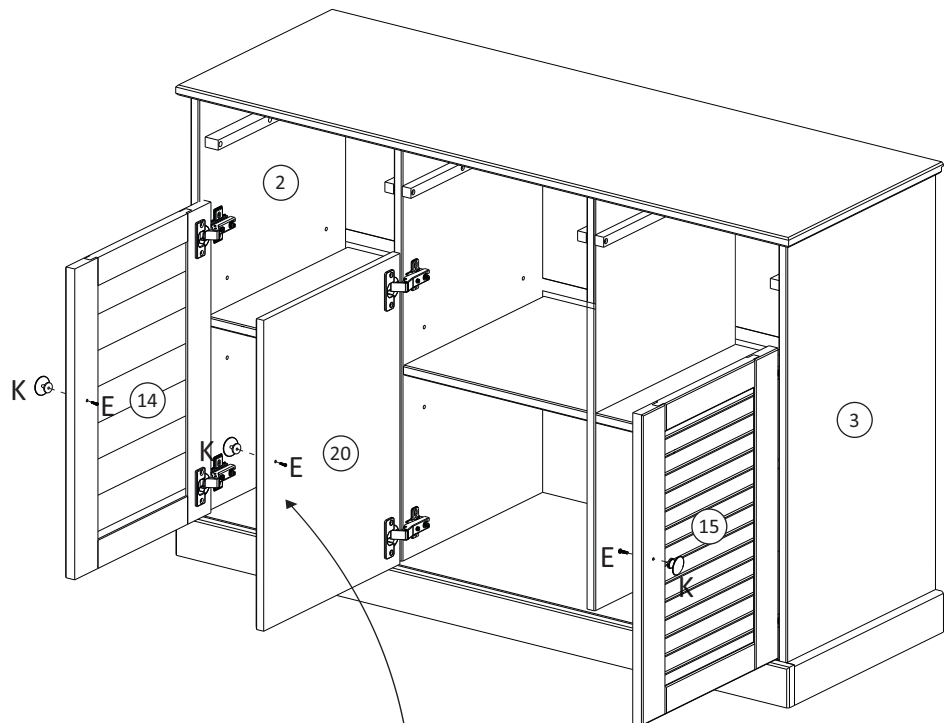
10





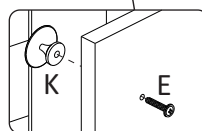
11



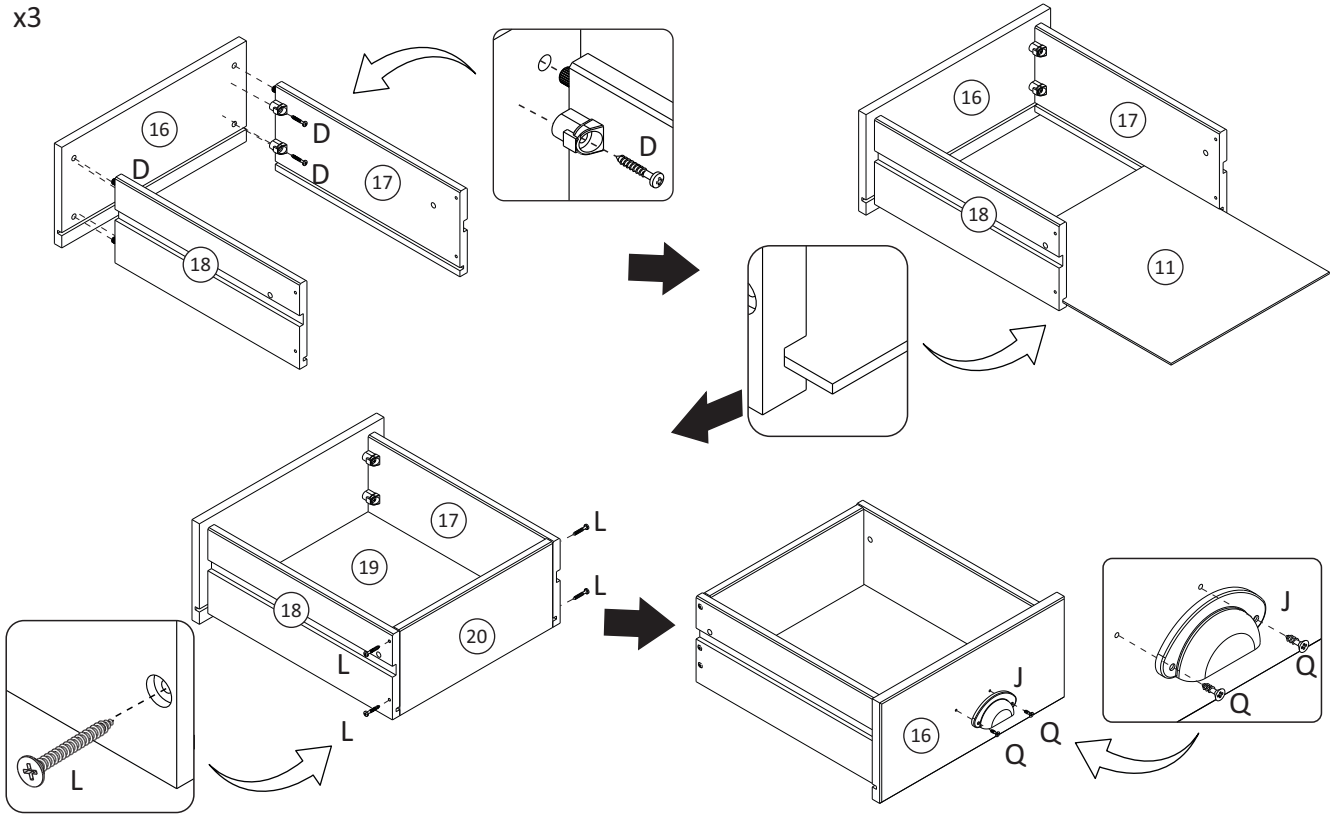
12



Ex3	
Kx3	

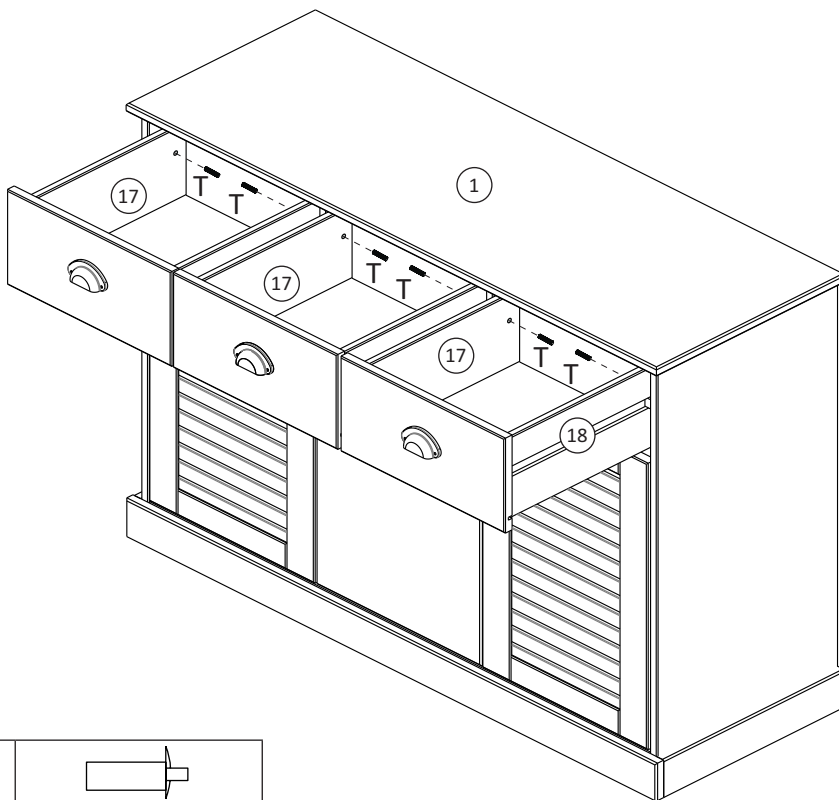



13 x3



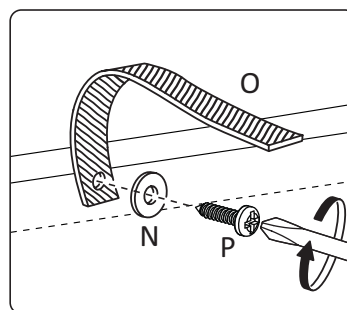
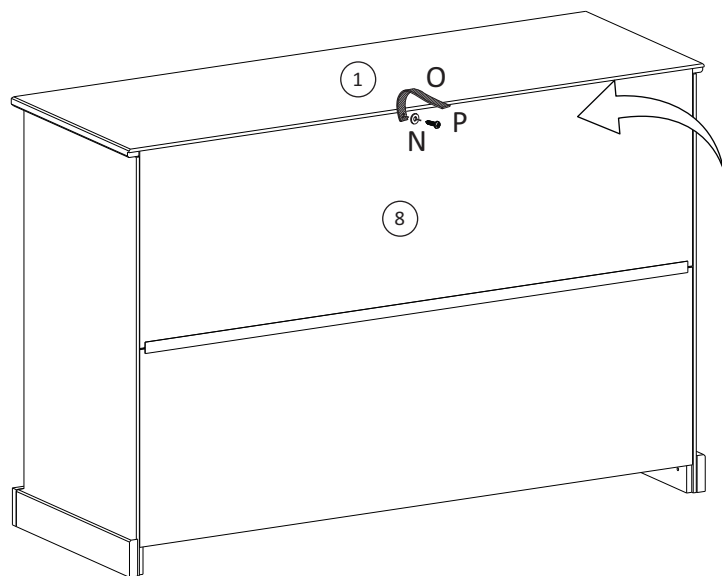
Dx12		Qx6		Jx3		Lx12	
------	---	-----	---	-----	--	------	---




14



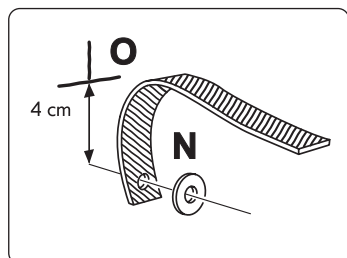
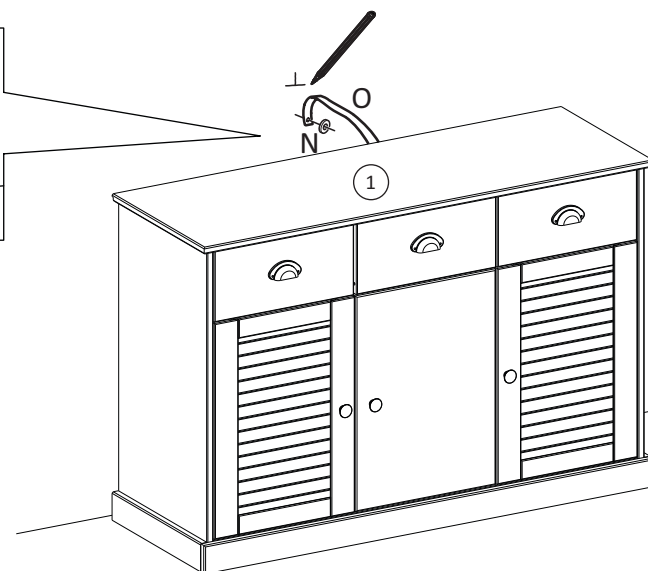
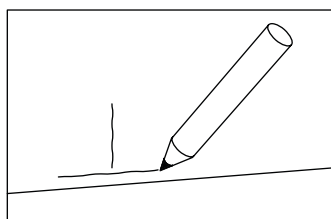
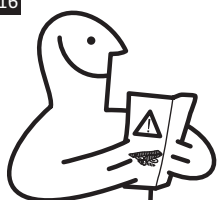
Tx6	
-----	---

15



Nx1	
Ox1	
Px1	

16



Nx1	
-----	---