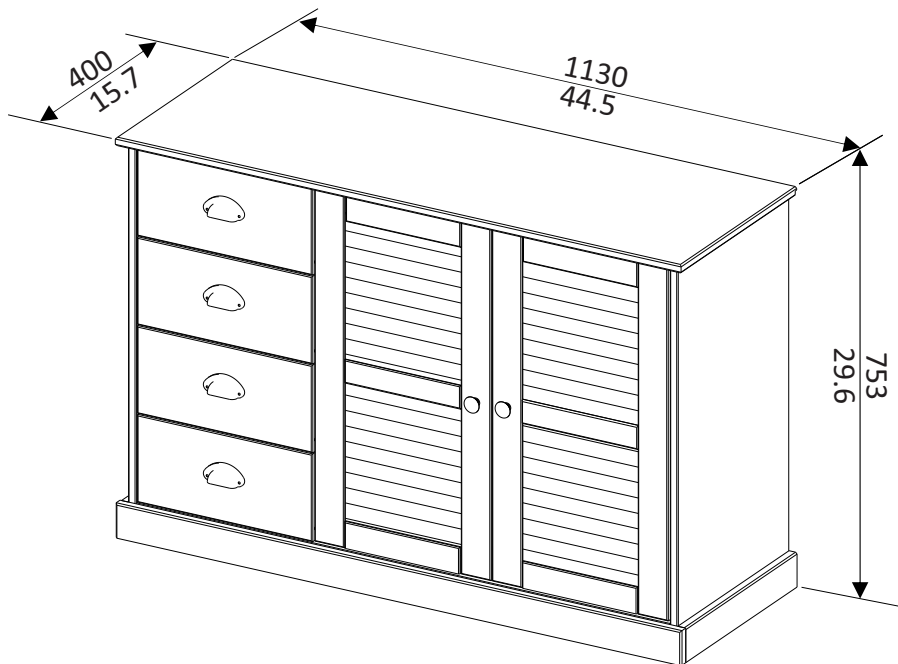
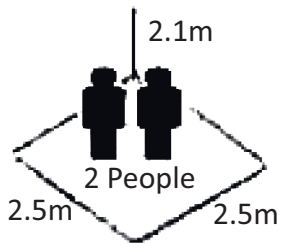


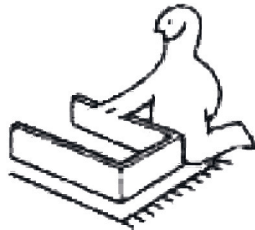
mm
inch



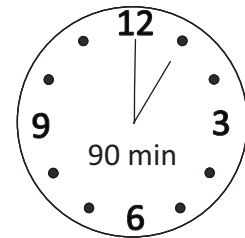
1



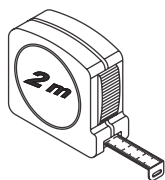
2



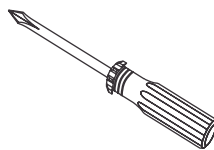
3



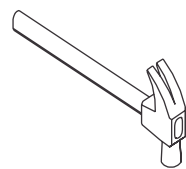
1

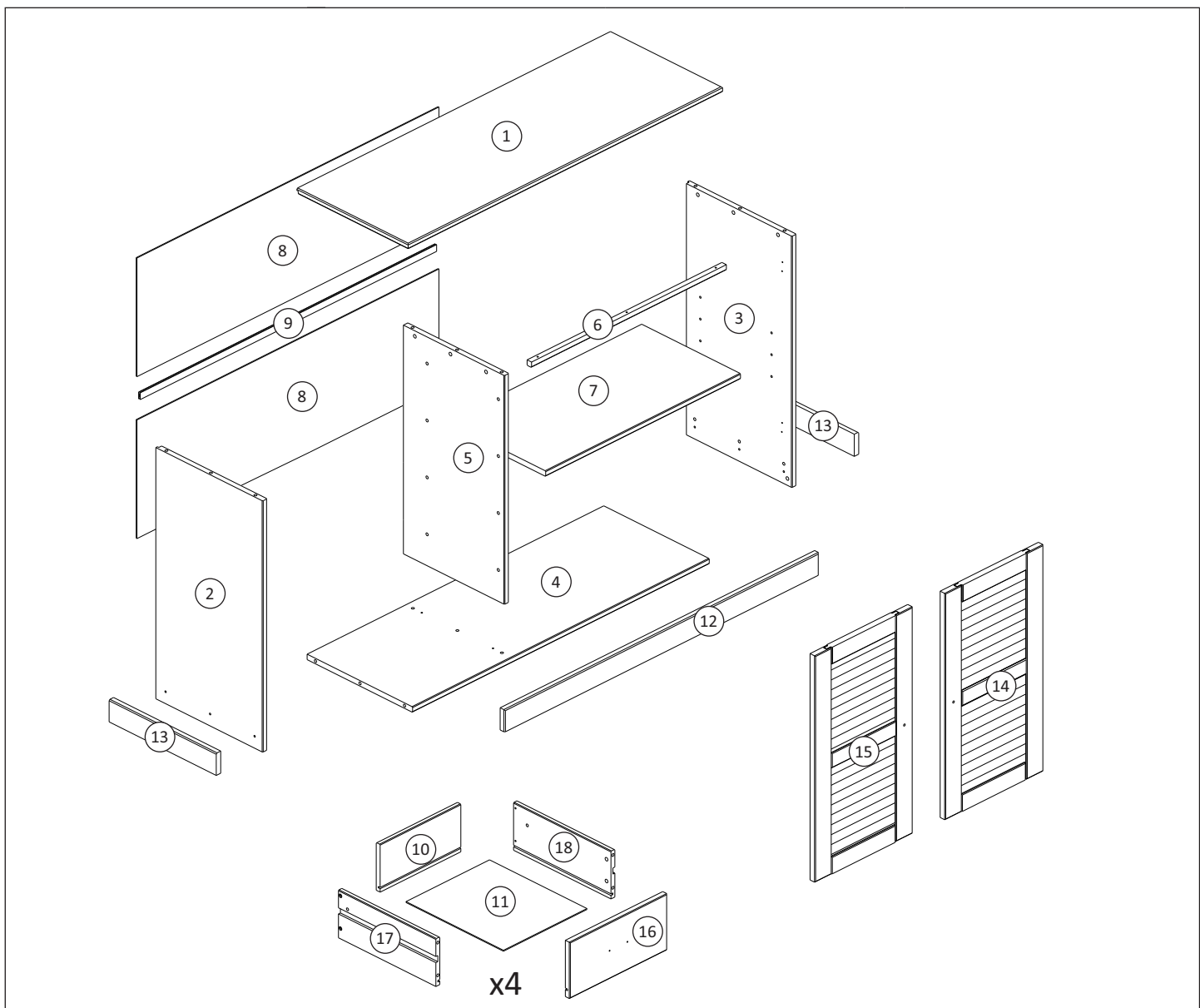





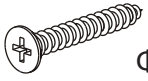

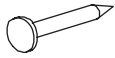
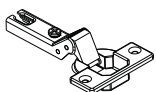
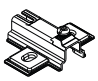
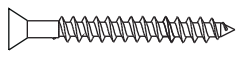
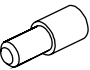
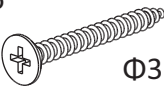


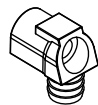

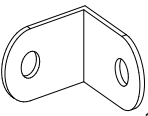



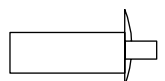
2



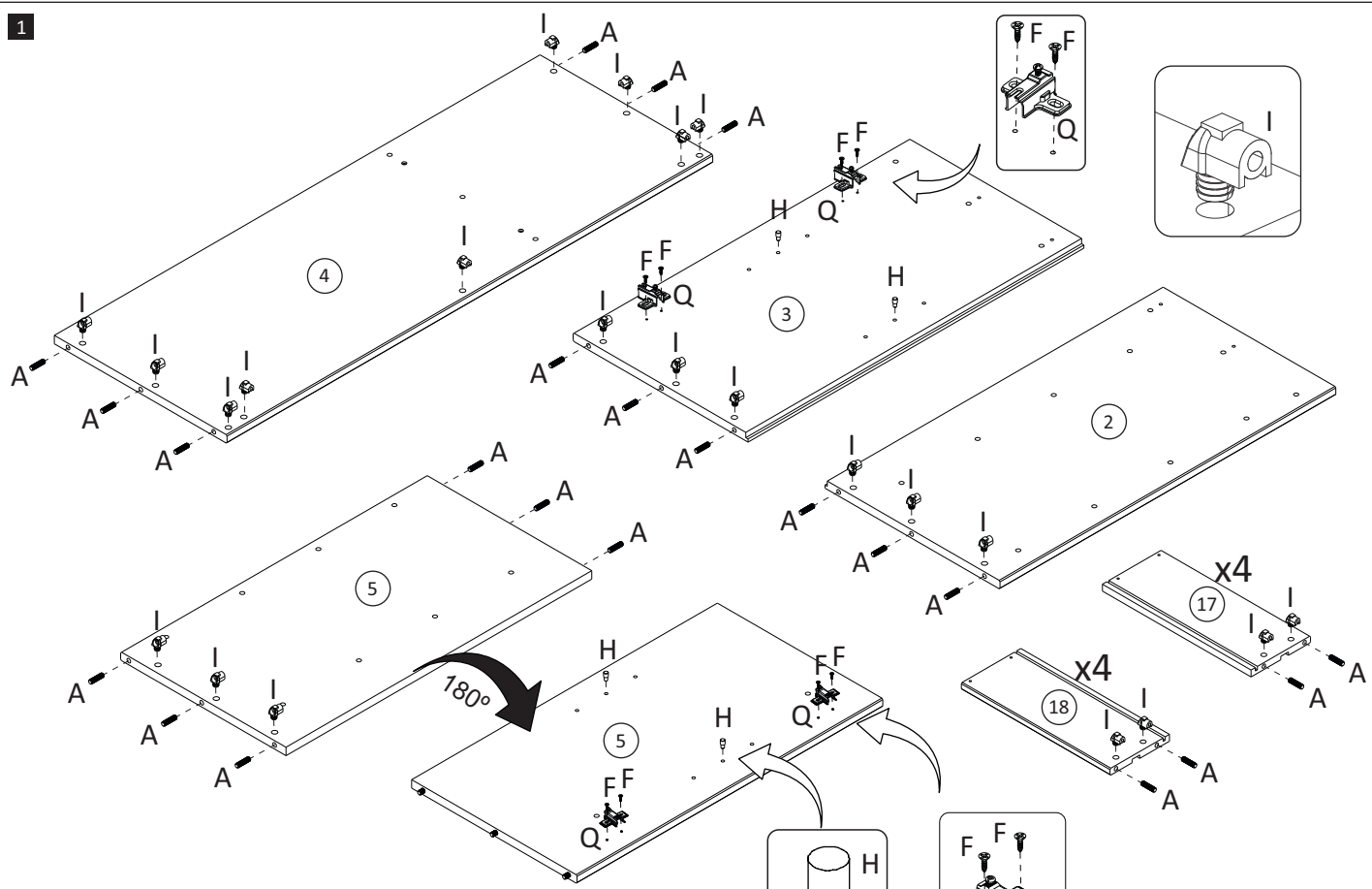
3










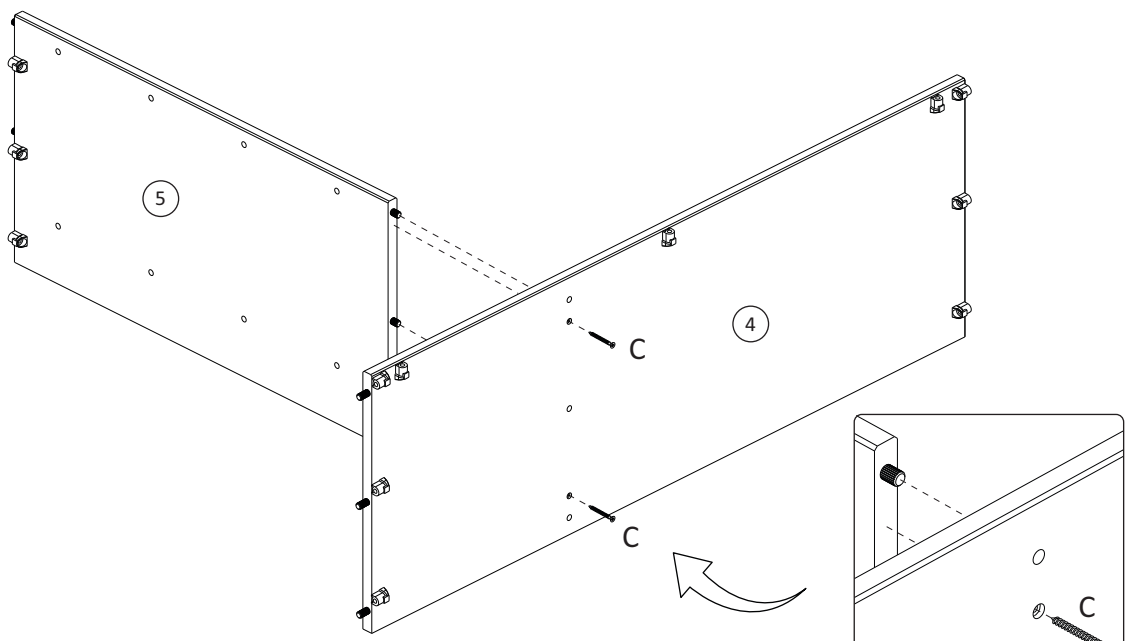
Ax50  $\Phi 8 \times \frac{25}{1.0}$	Fx44  $3.5 \times \frac{14}{0.6}$	Kx2 	Px1  $\Phi 3.5 \times \frac{22}{0.6}$
Bx8 	Gx30  $\frac{10 \times 10}{0.4 \times 0.4}$	Lx4 	Qx4 
Cx2  $4.0 \times \frac{40}{1.6}$	Hx4 	Mx16  $\Phi 3.0 \times \frac{30}{0.6}$	Rx8  $3.5 \times \frac{16}{0.6}$
Dx43  $3.5 \times \frac{25}{0.99}$	Ix34 	Nx2 	Sx2  18x18 mm
Ex2  $\Phi M4 \times \frac{22}{0.8}$	Jx4 	Ox1 	Tx8 

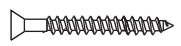
1



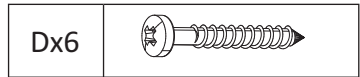
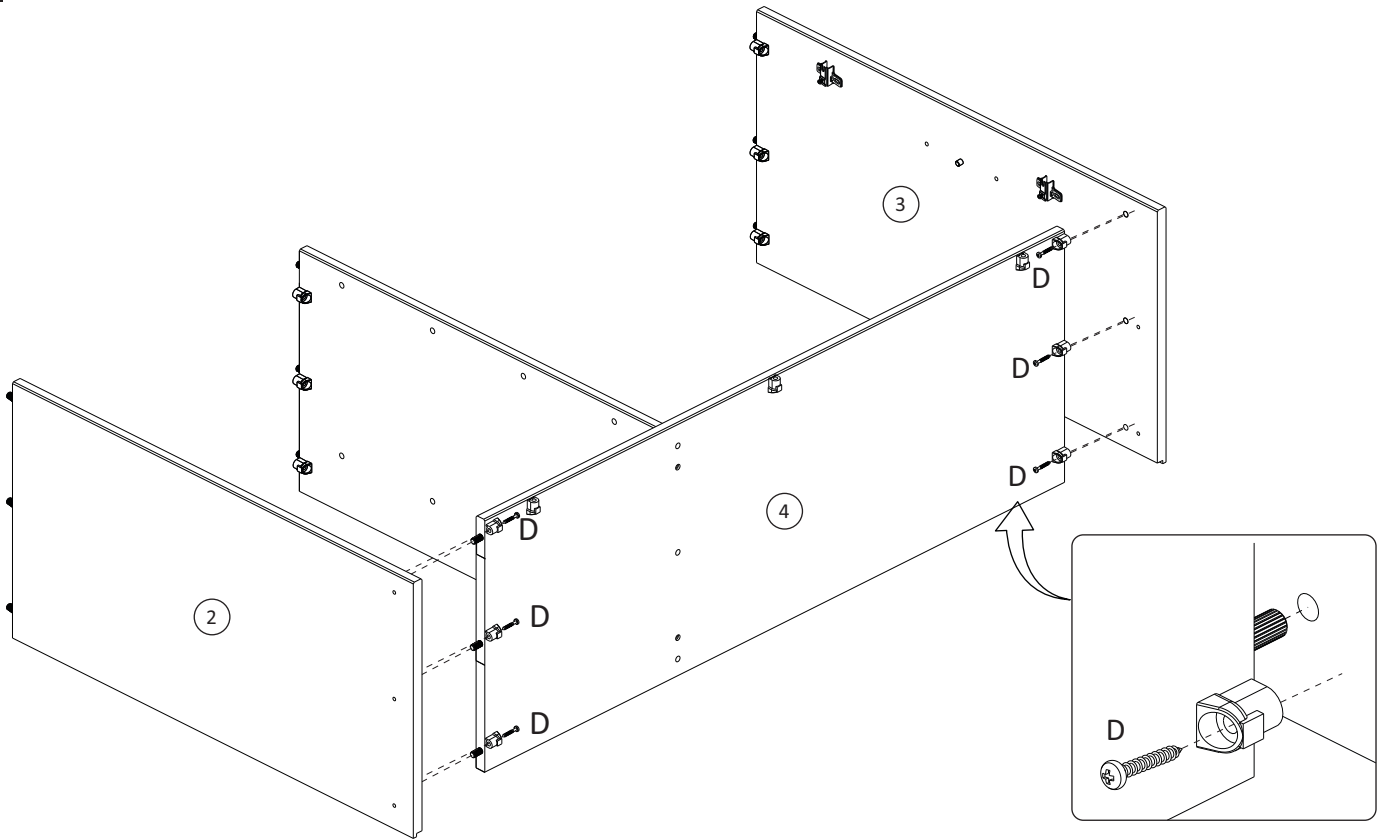
Ax34		Ix34	
Fx8		Qx4	
Hx4			

2

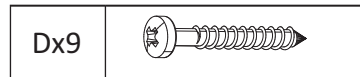
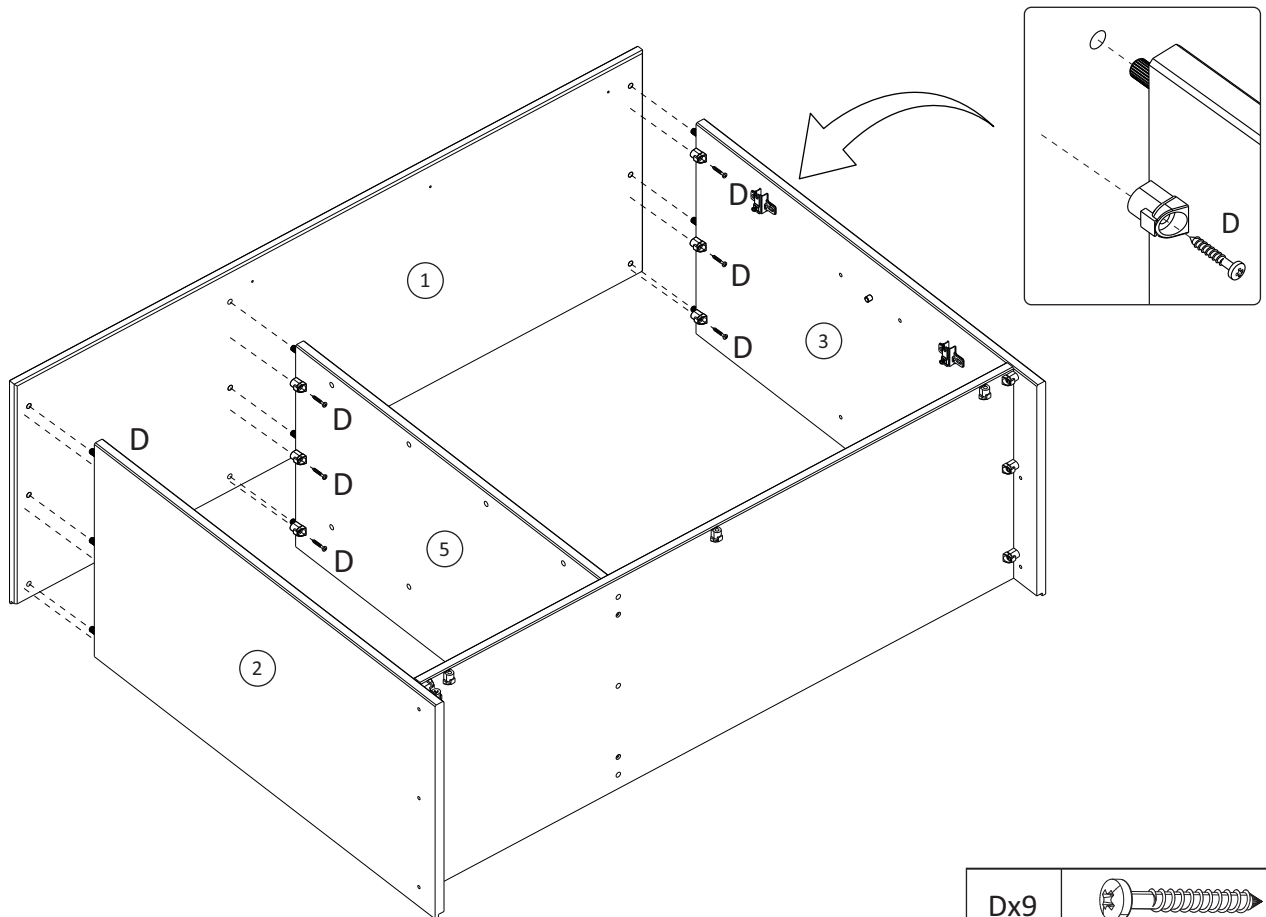


Cx2	
-----	-------------------------------------------------------------------------------------

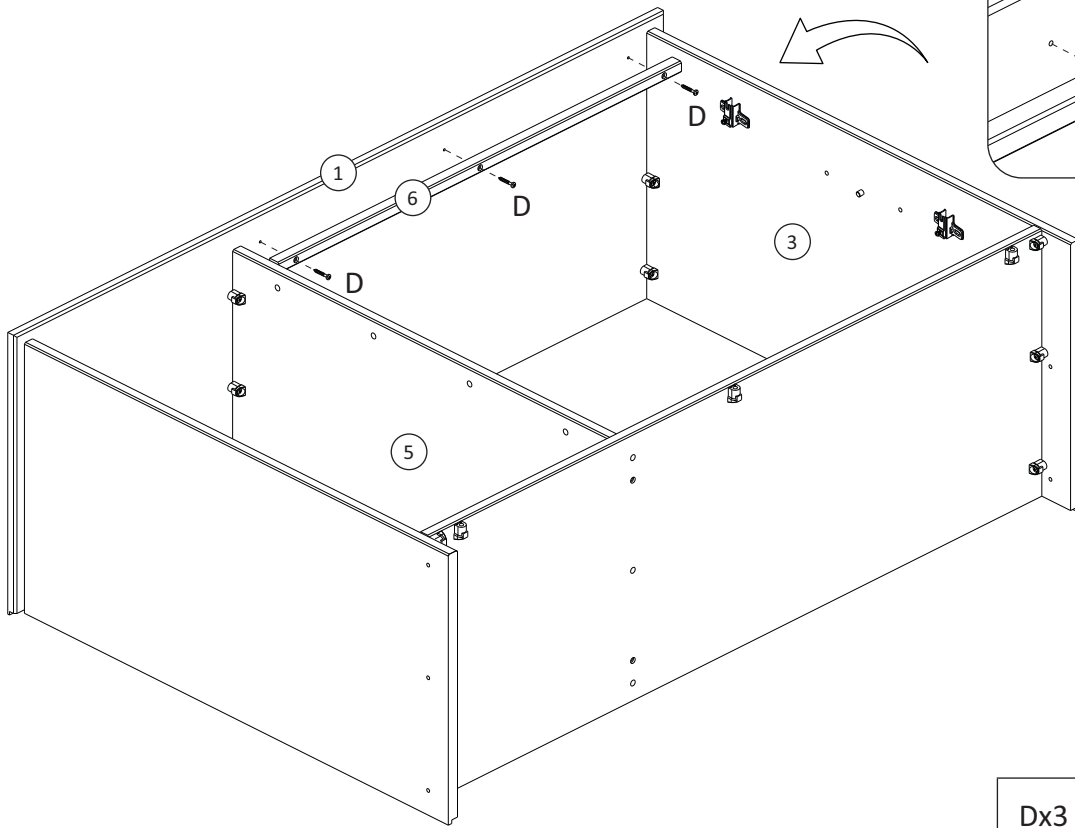
3



4



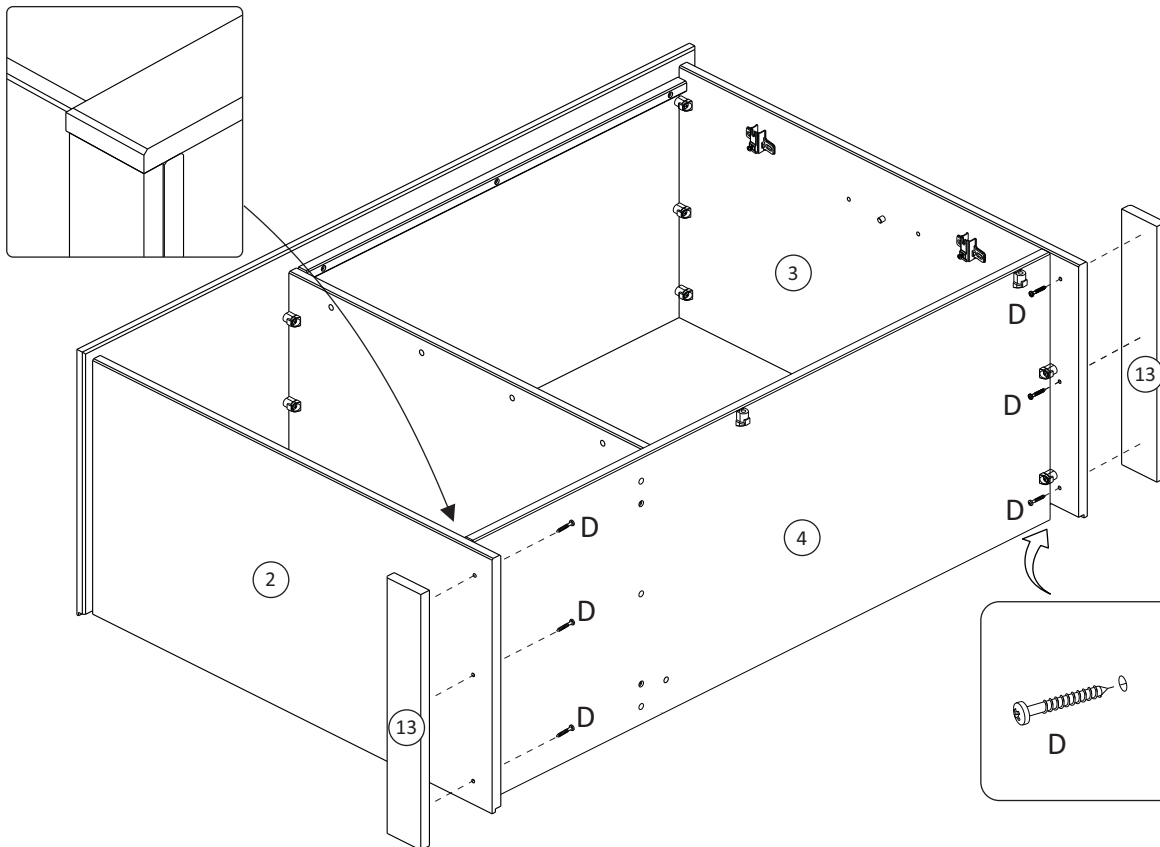
5



Dx3



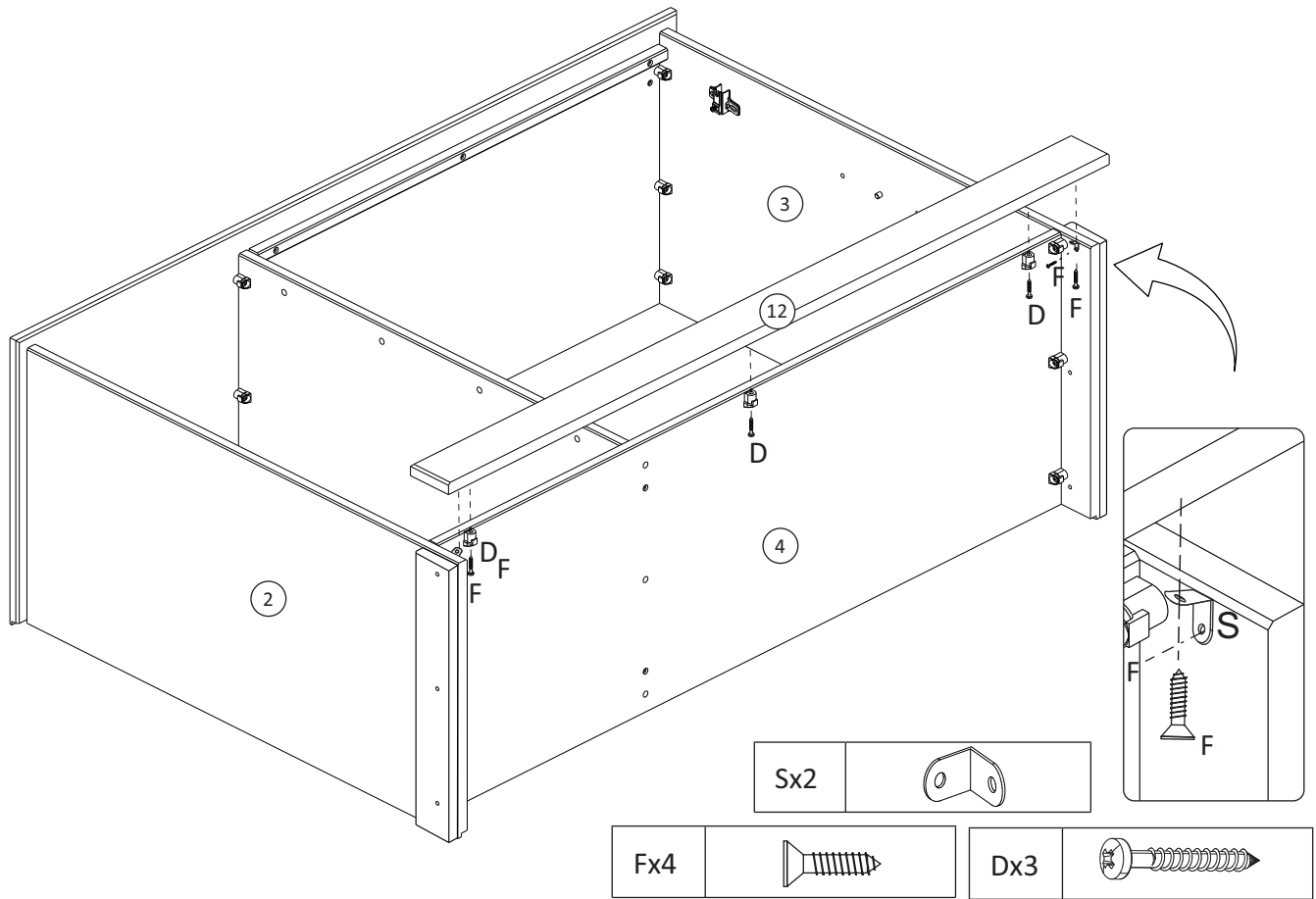
6



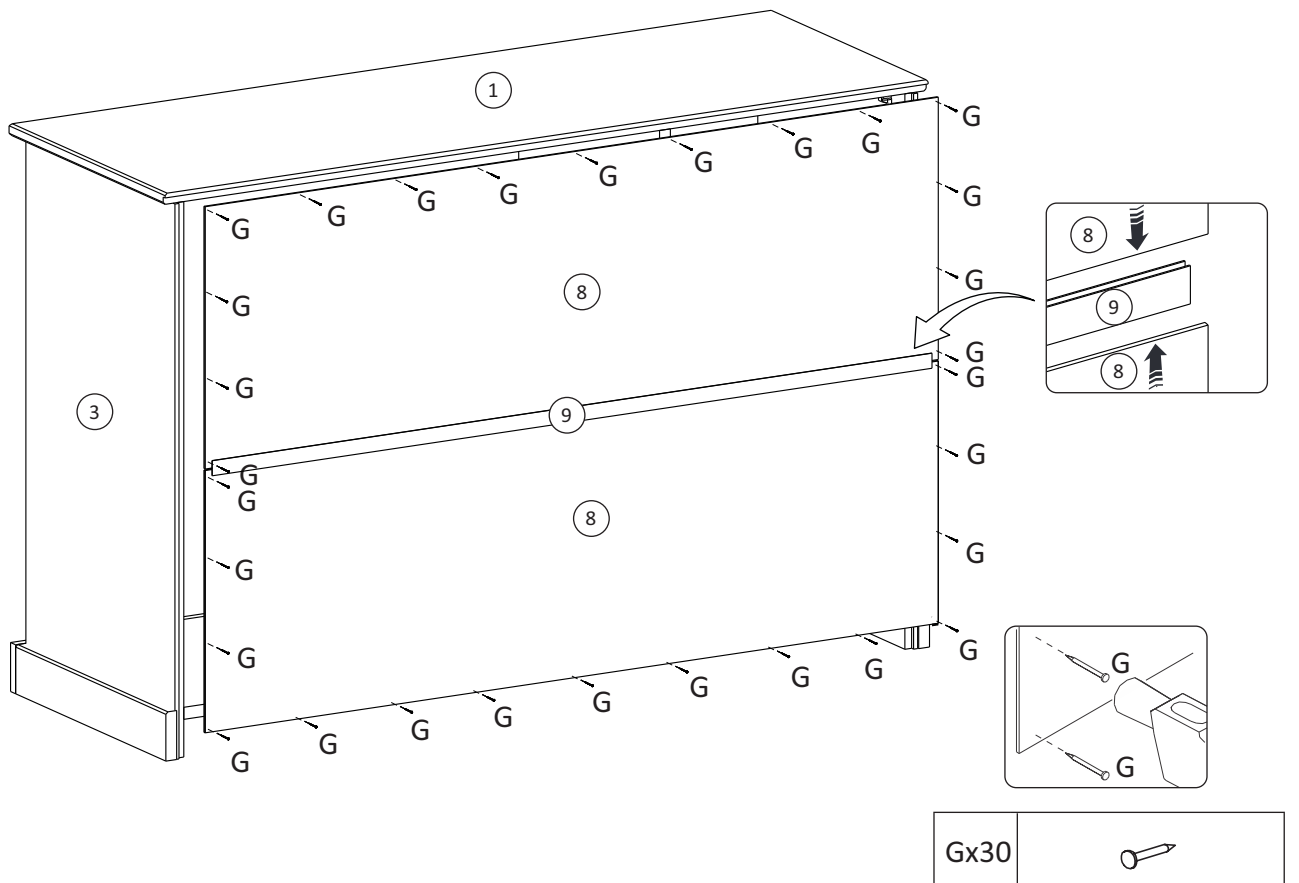
Dx6



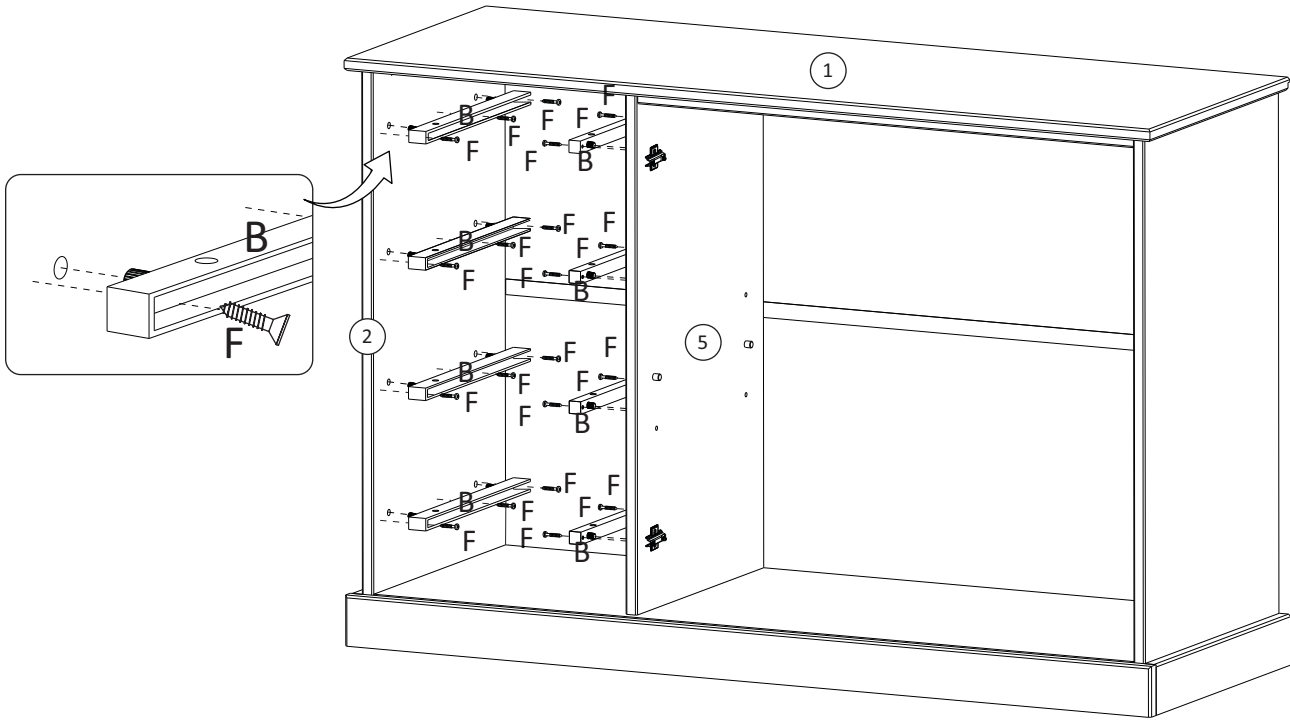
7



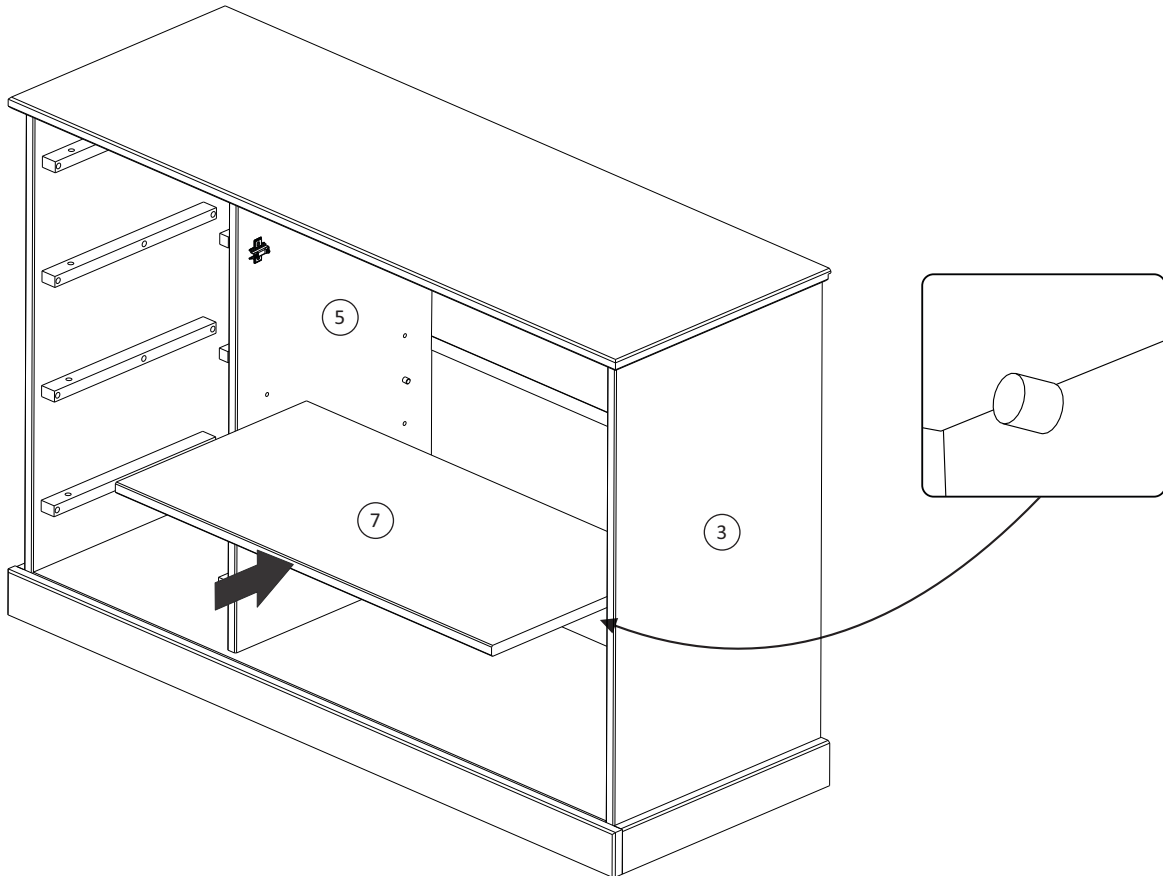
8



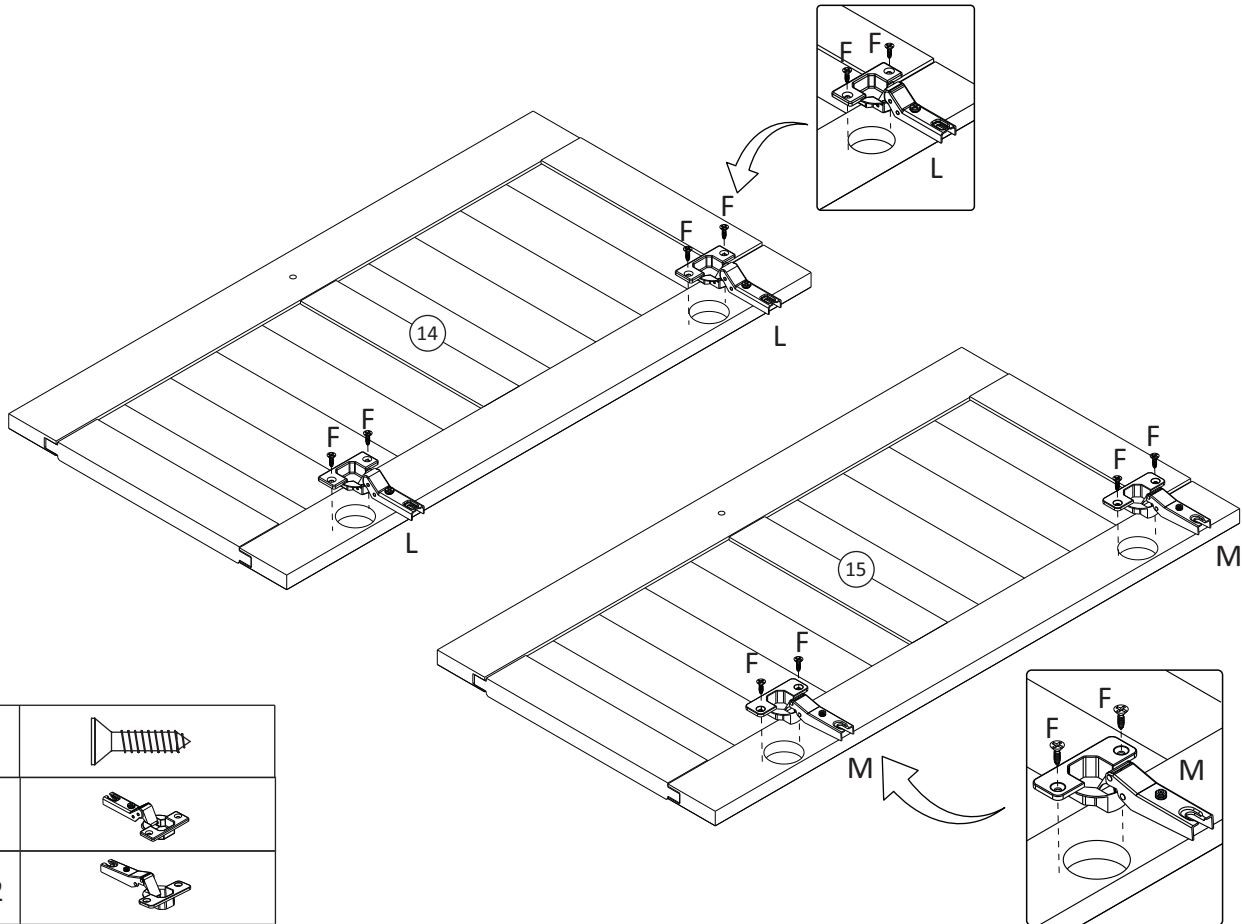
9

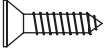




10

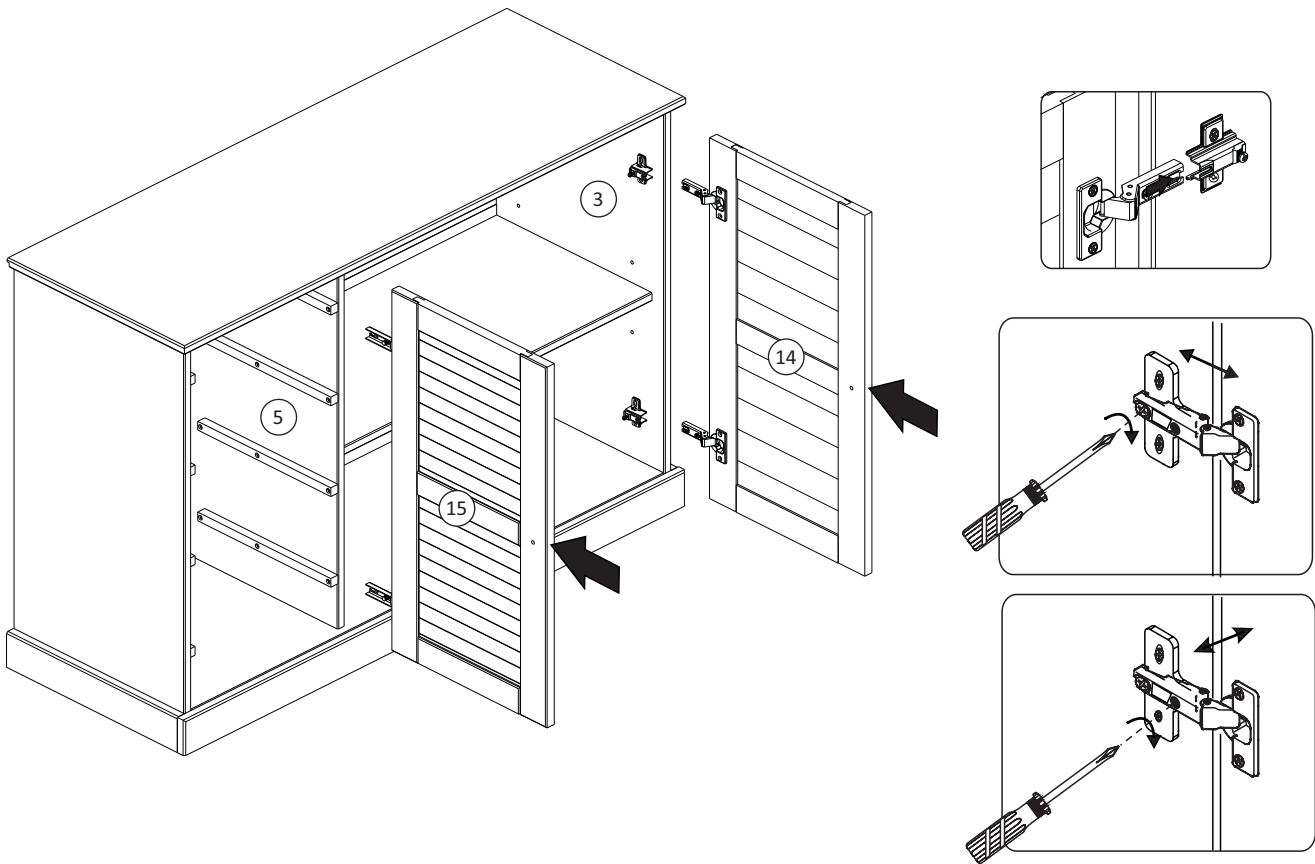


11

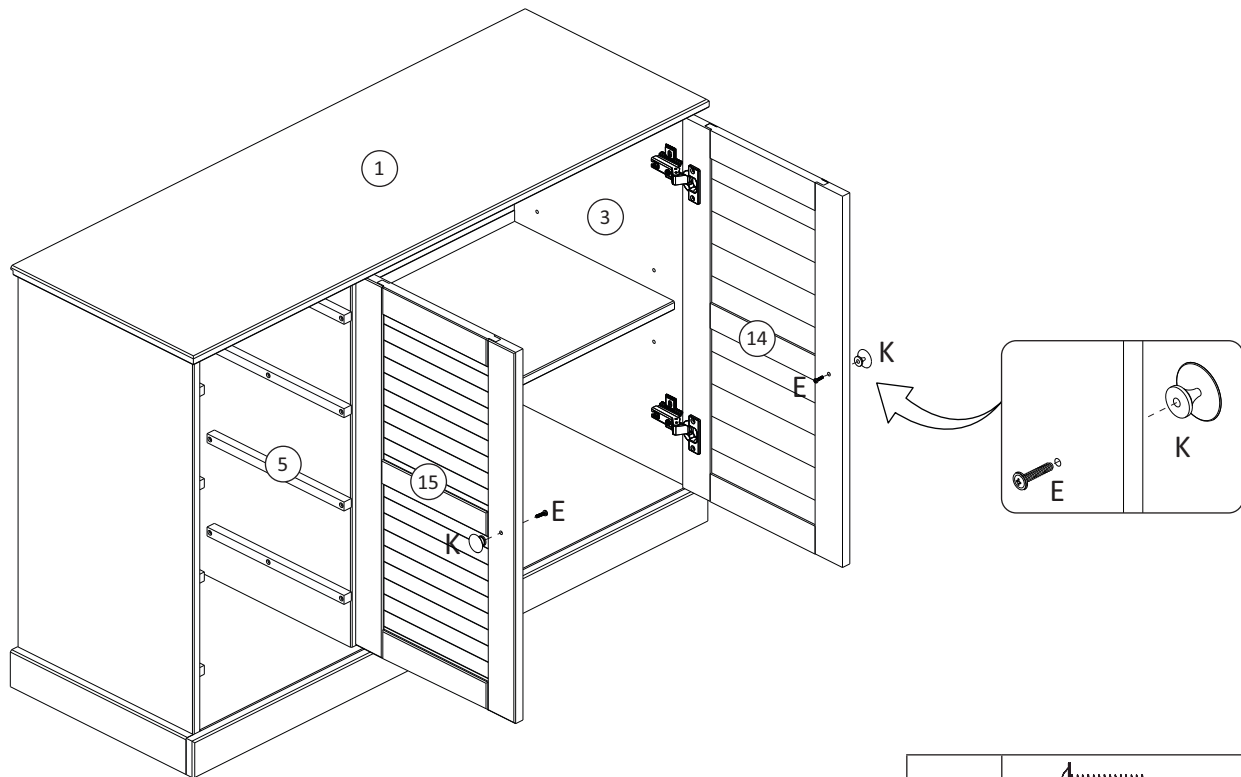




Fx8	
Lx2	
Mx2	

12

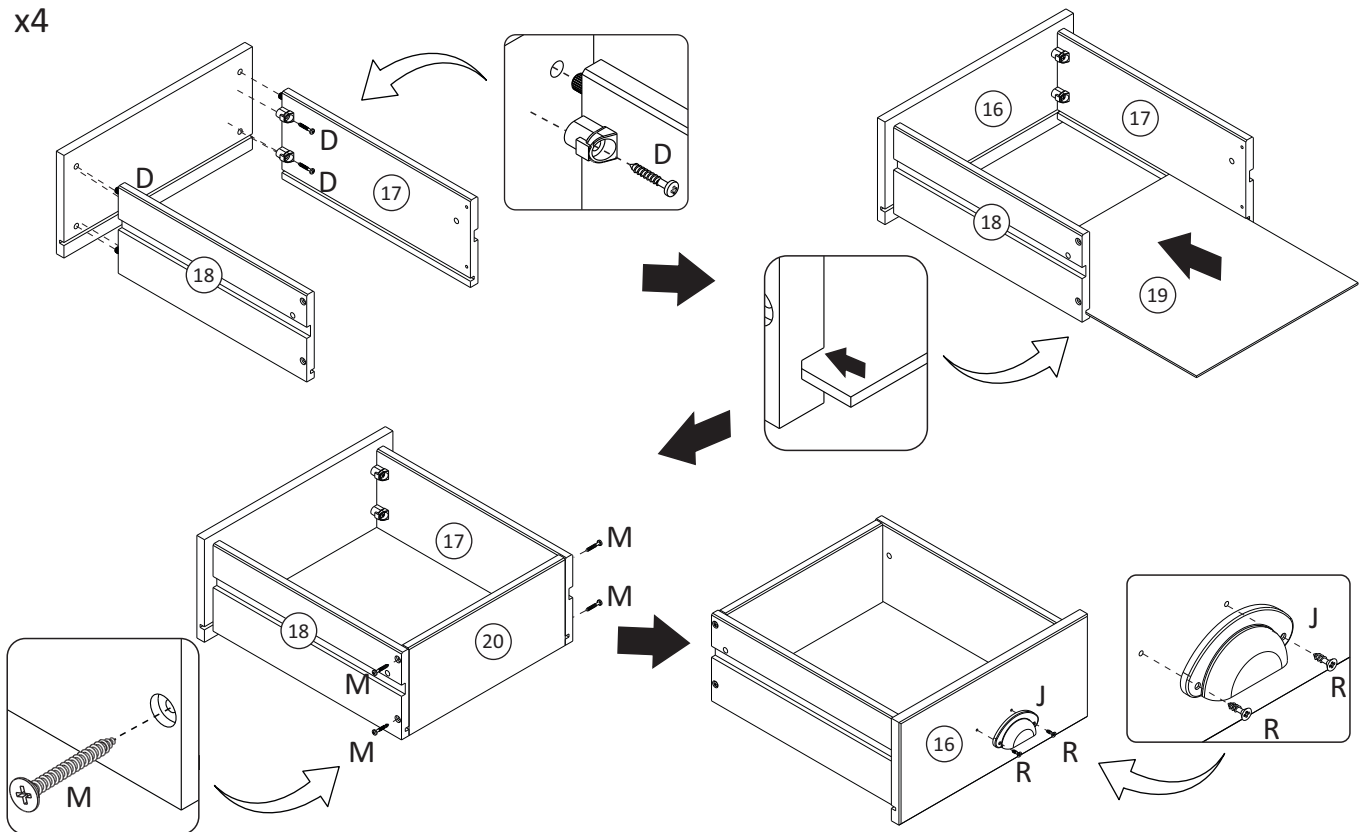



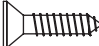


13



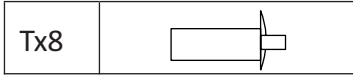
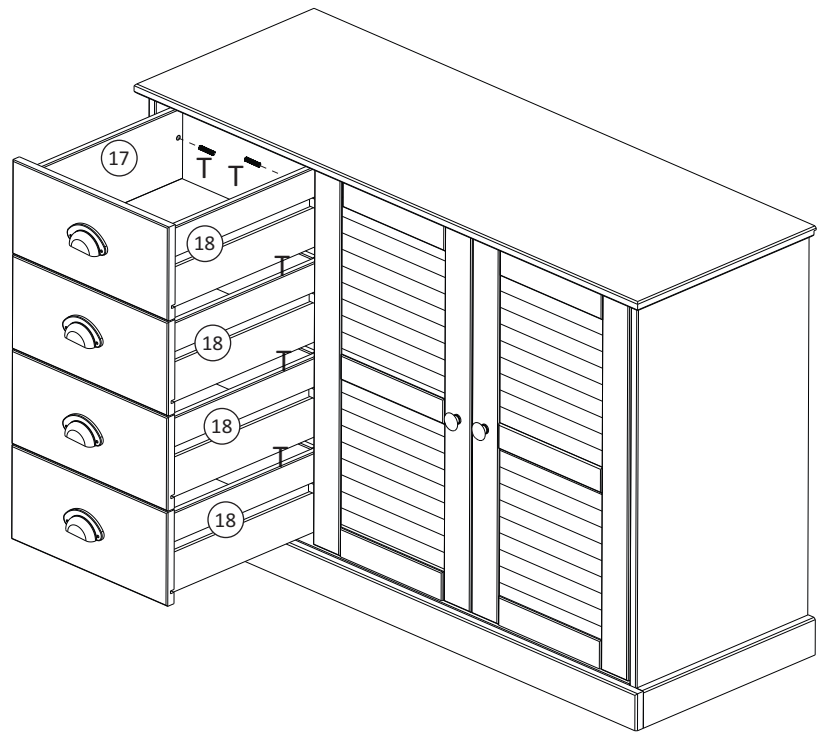
Ex2	
Kx2	

14 x4

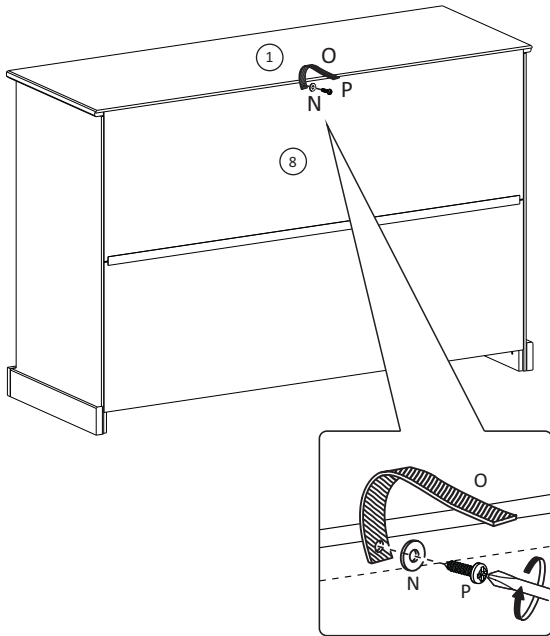


Dx16		Rx8		Jx4		Mx16	
------	-------------------------------------------------------------------------------------	-----	-------------------------------------------------------------------------------------	-----	--------------------------------------------------------------------------------------	------	---------------------------------------------------------------------------------------

15

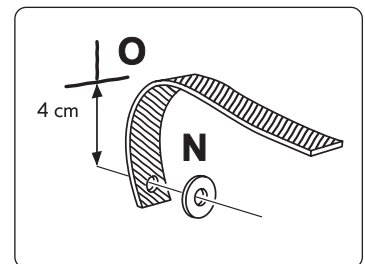
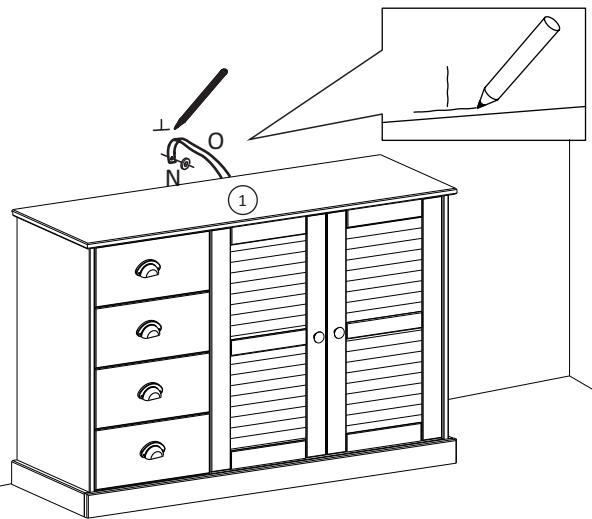


16



Nx1	
Ox1	
Px1	

17



Nx1	
-----	--