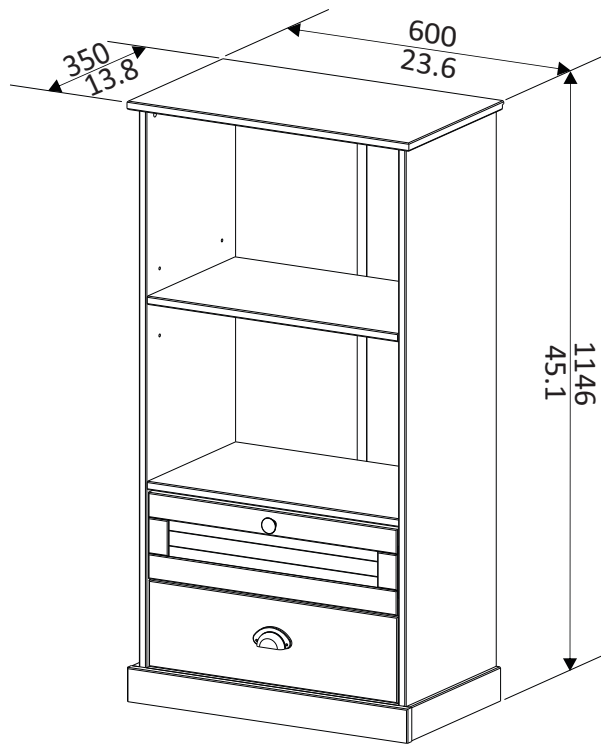
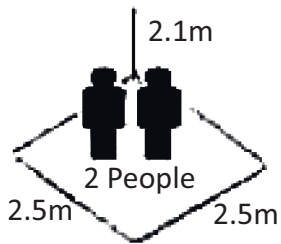


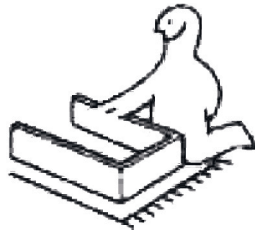
mm
inch



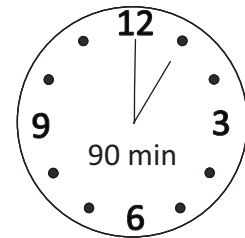
1



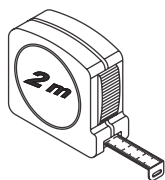
2



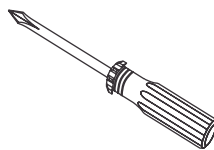
3



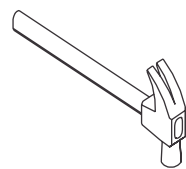
1

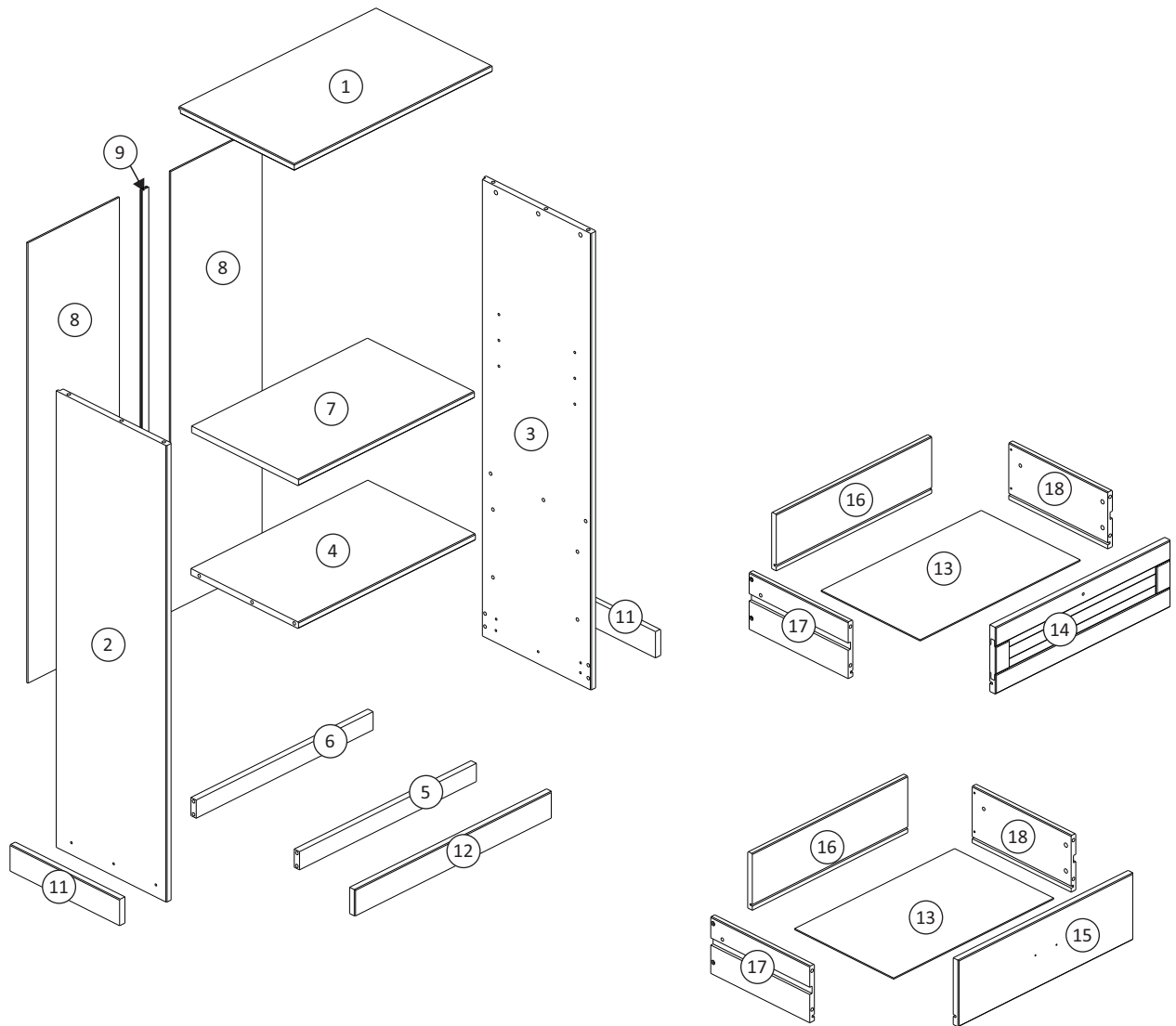


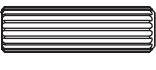

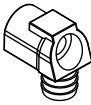


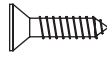

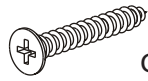
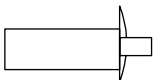
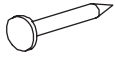

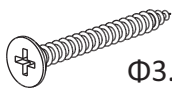

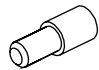


2



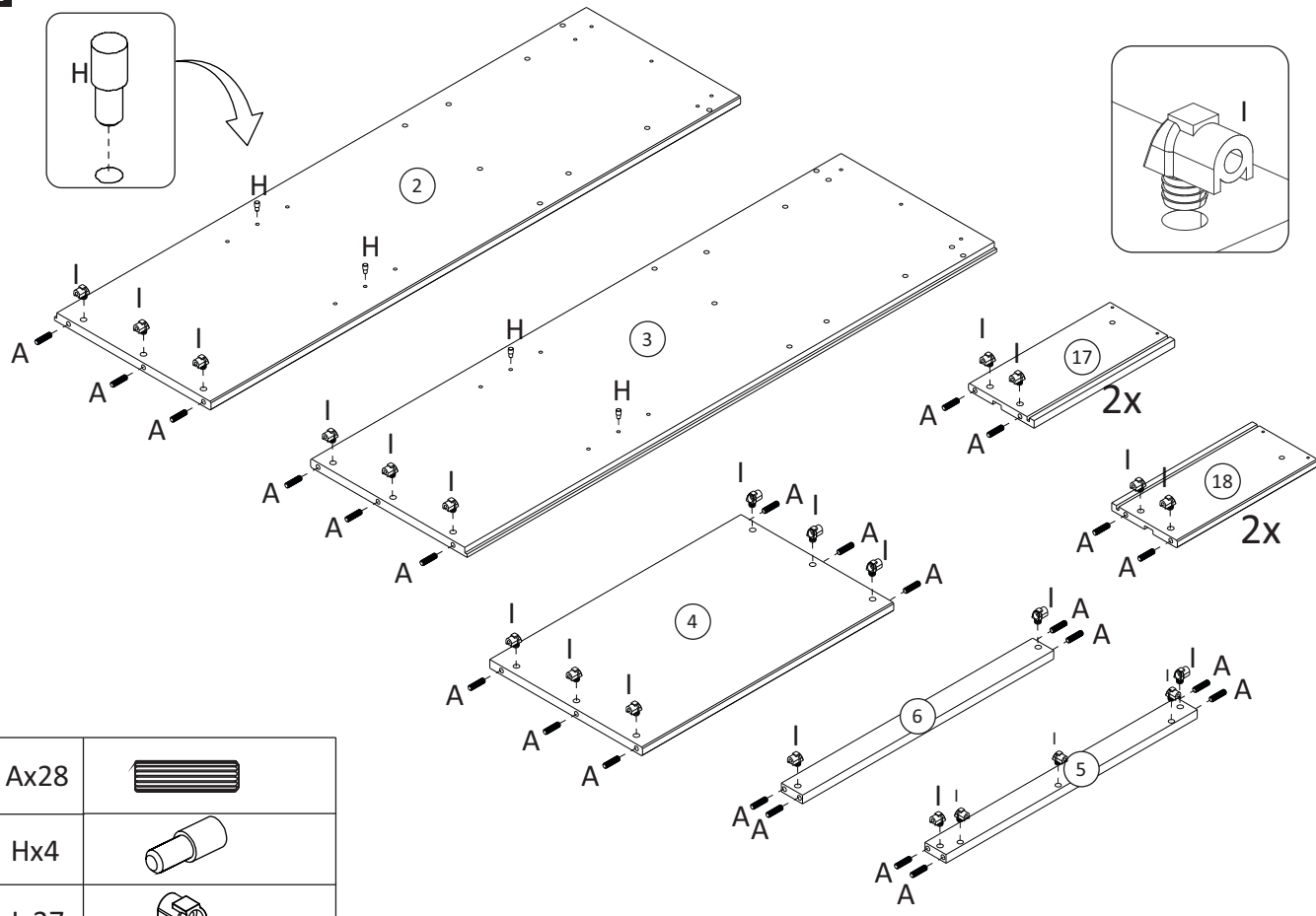
3








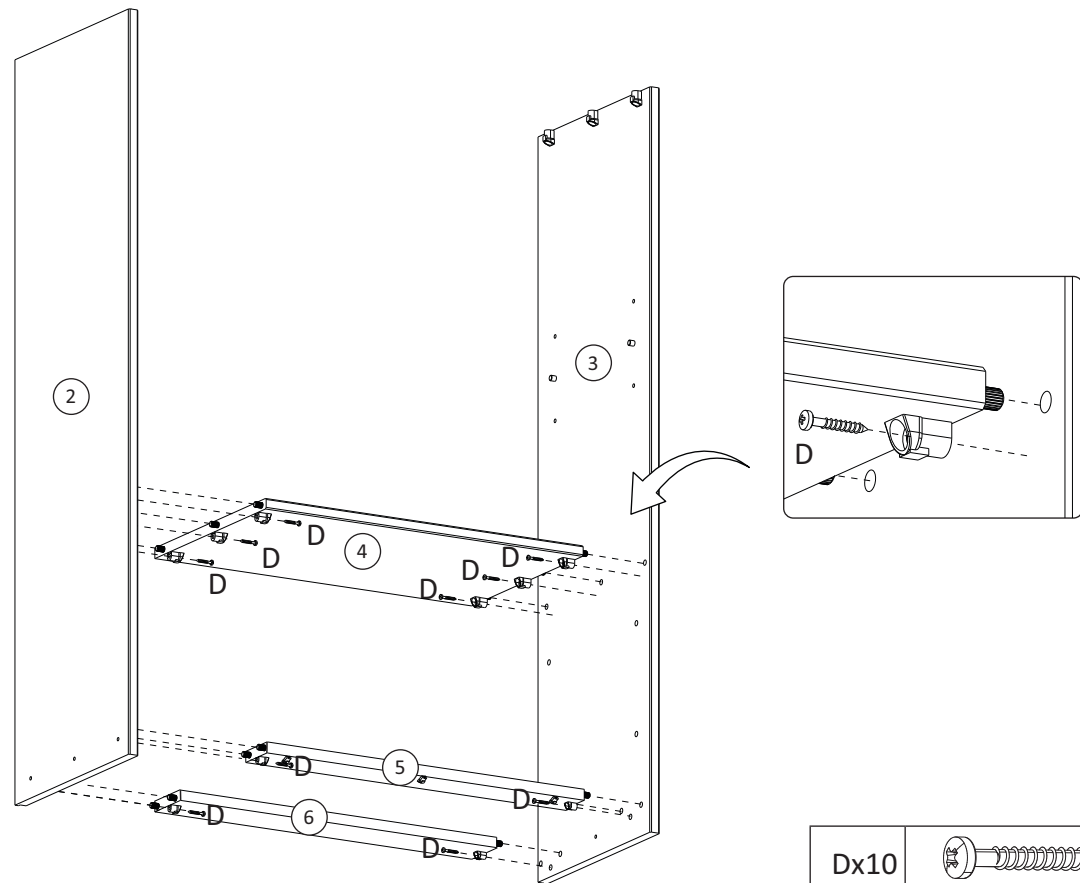
Ax28  $\Phi 8 \times \frac{25}{1.0}$	Ex1  $\Phi M4 \times \frac{22}{0.8}$	Ix27 	Ox1 
Bx4 	Fx14  $3.5 \times \frac{14}{0.6}$	Jx1 	Px1  $\Phi 3.5 \times \frac{22}{0.6}$
Cx4 	Gx30  $\frac{10 \times 10}{0.4 \times 0.4}$	Kx1 	Qx8  $\Phi 3.0 \times \frac{30}{0.6}$
Dx36  $3.5 \times \frac{25}{0.99}$	Hx4 	Nx2 	Rx2  $3.5 \times \frac{16}{0.6}$


1



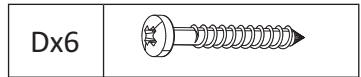
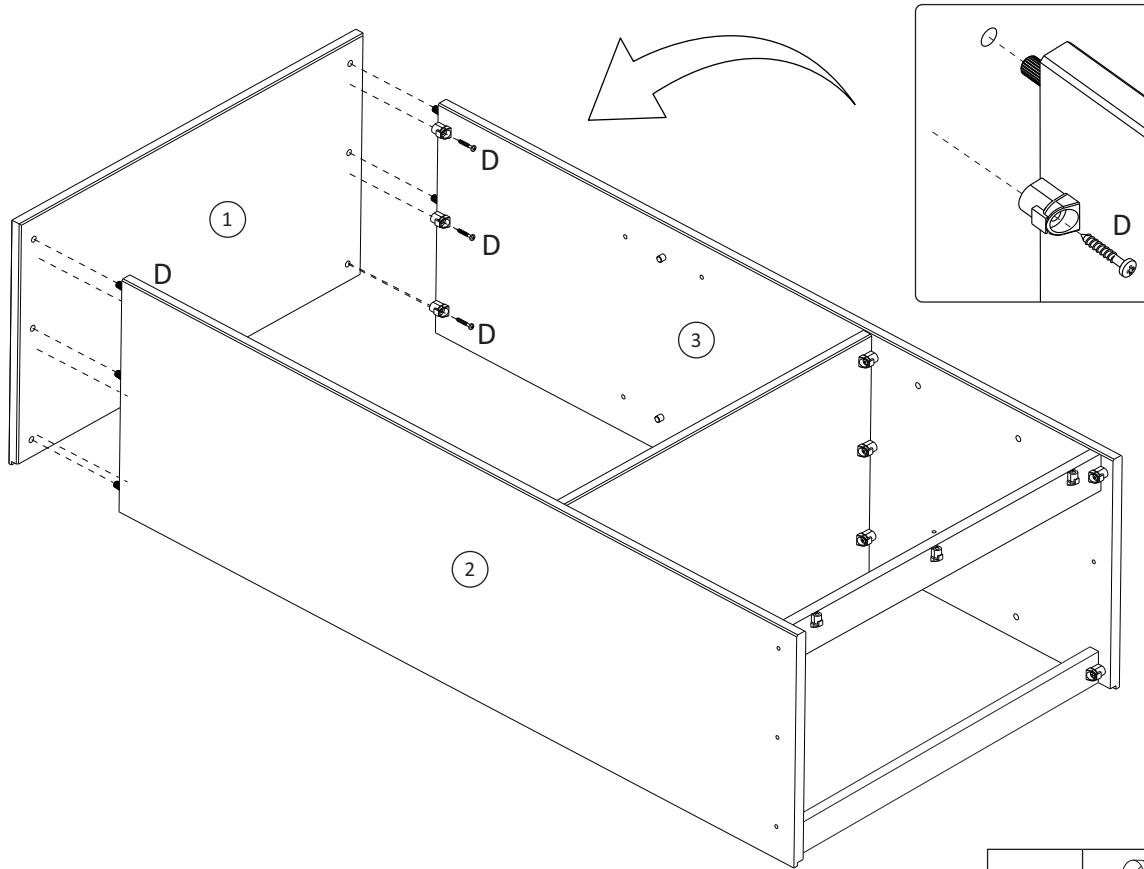
Ax28	
Hx4	
Ix27	

2

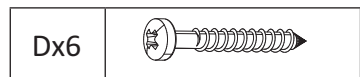
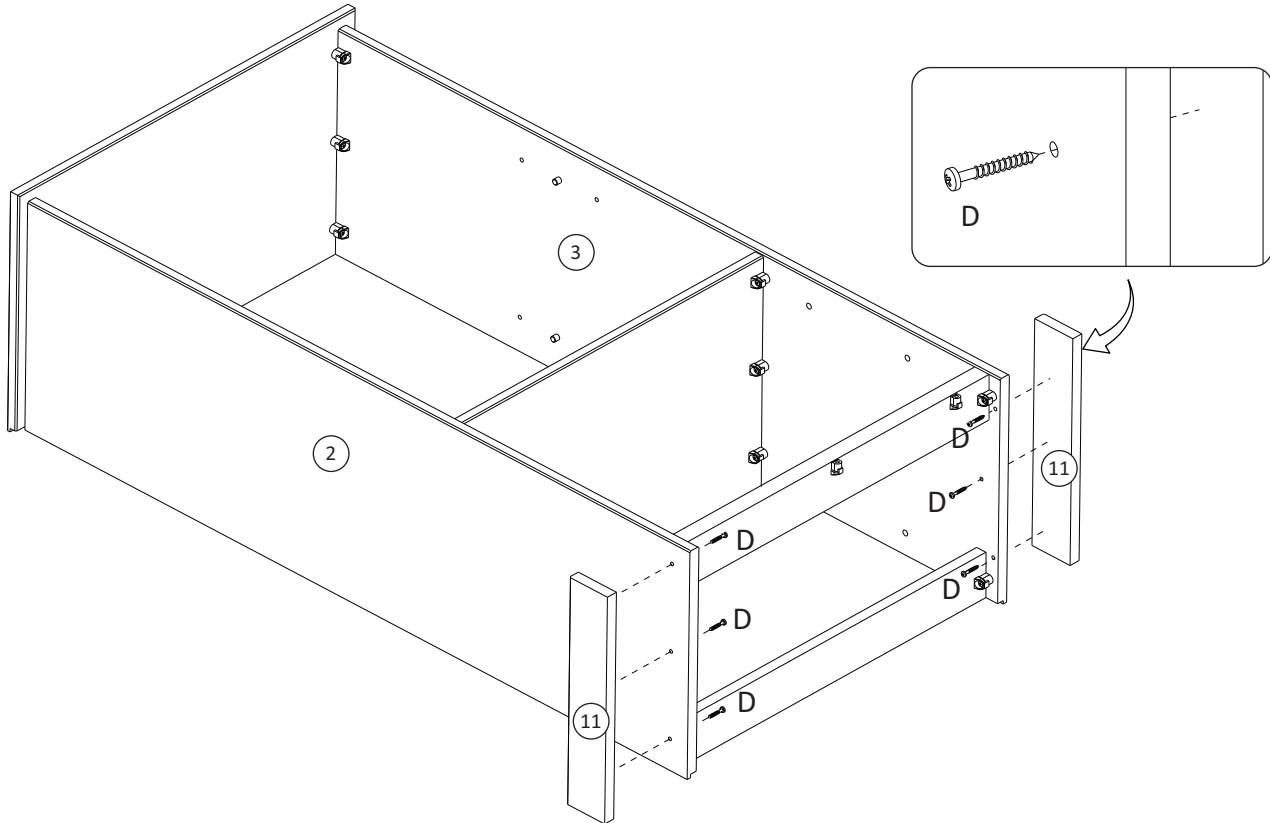


Dx10	
------	---

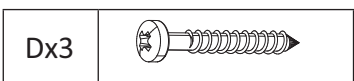
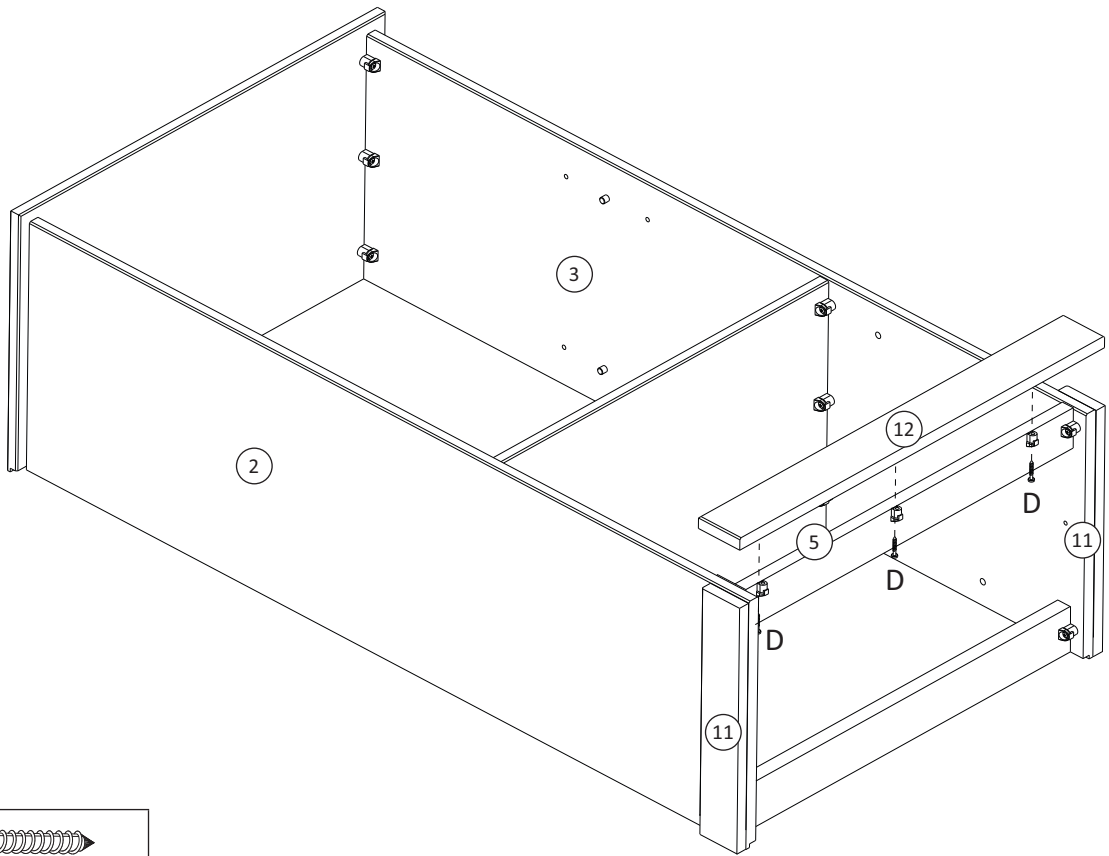
3



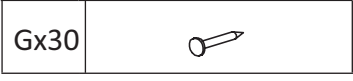
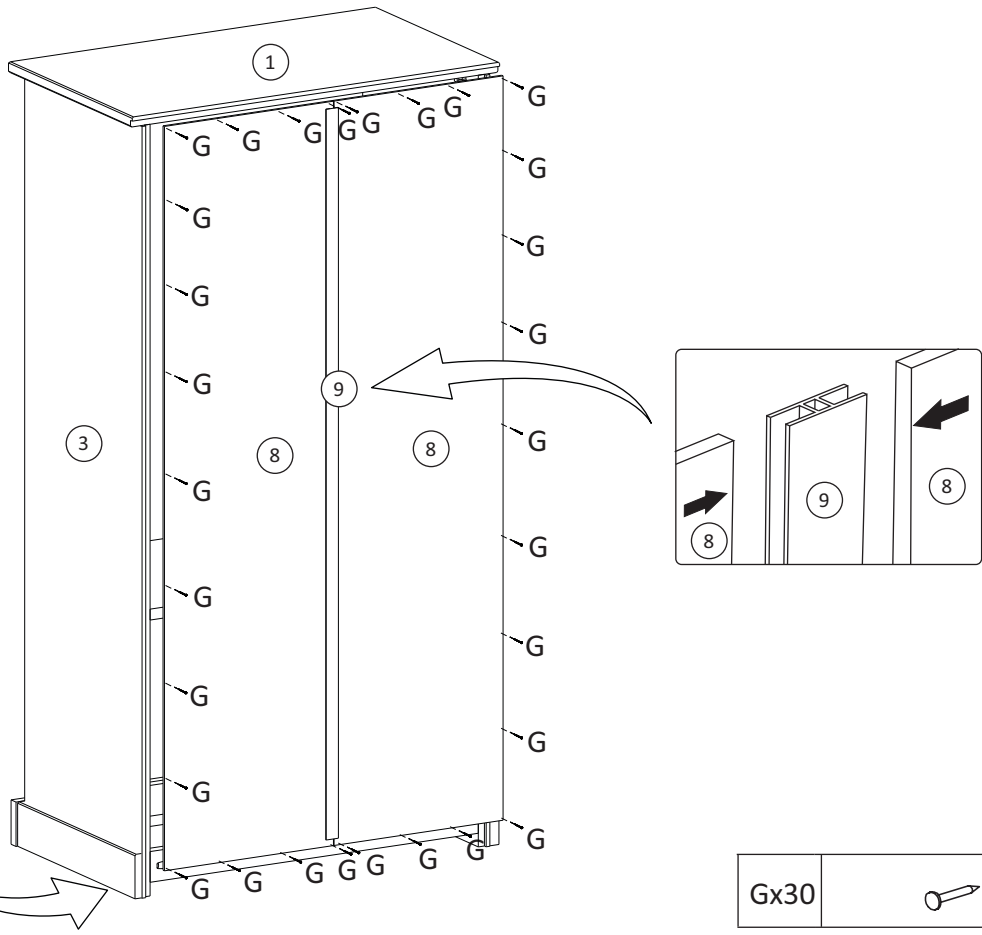
4



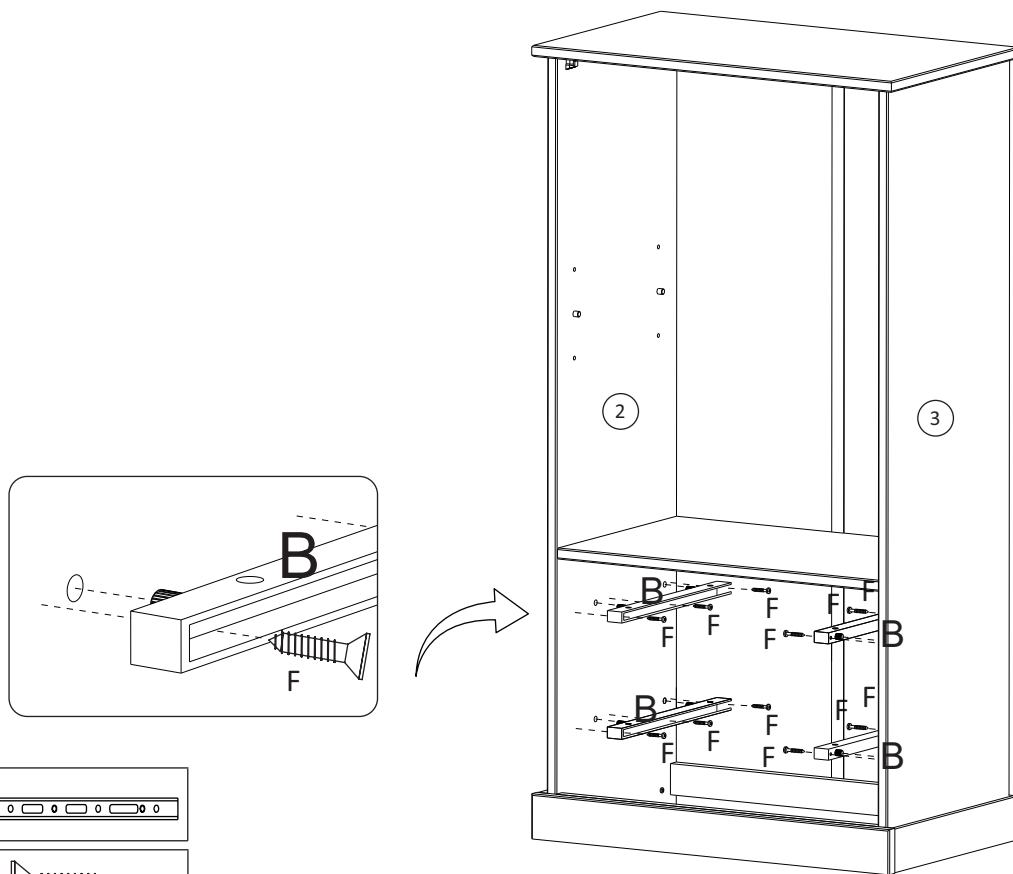
5


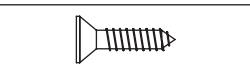


6

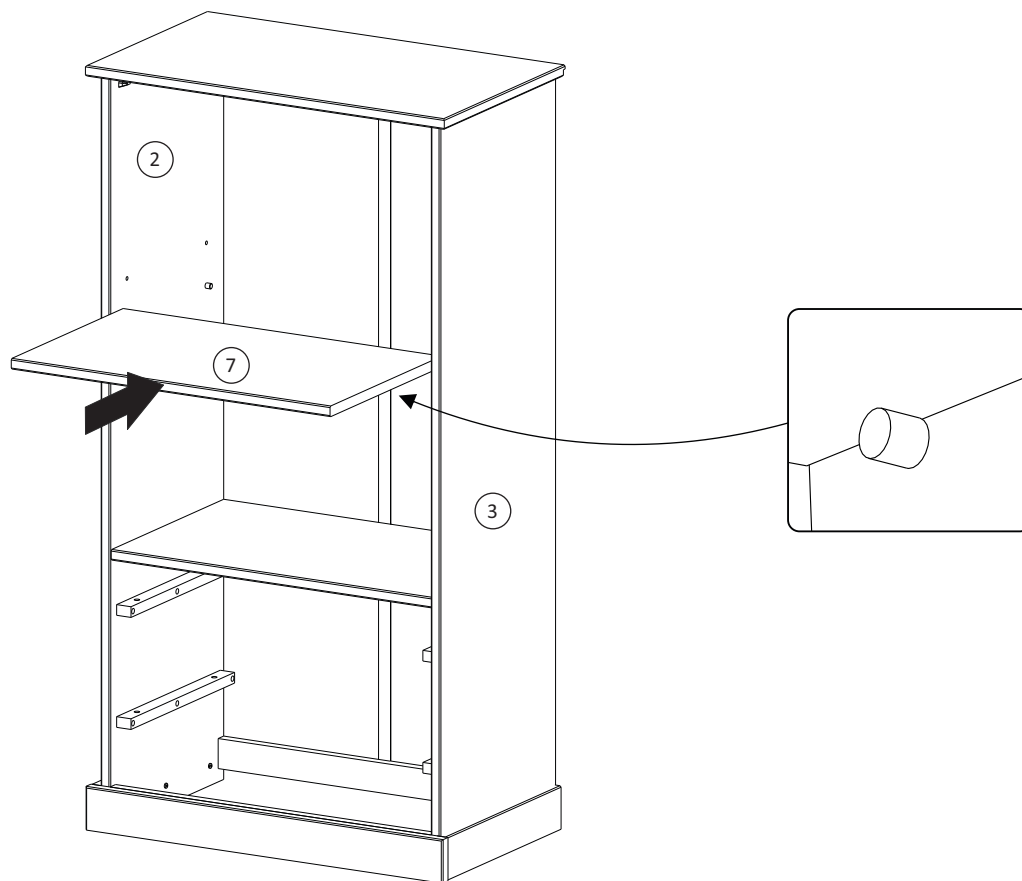


7

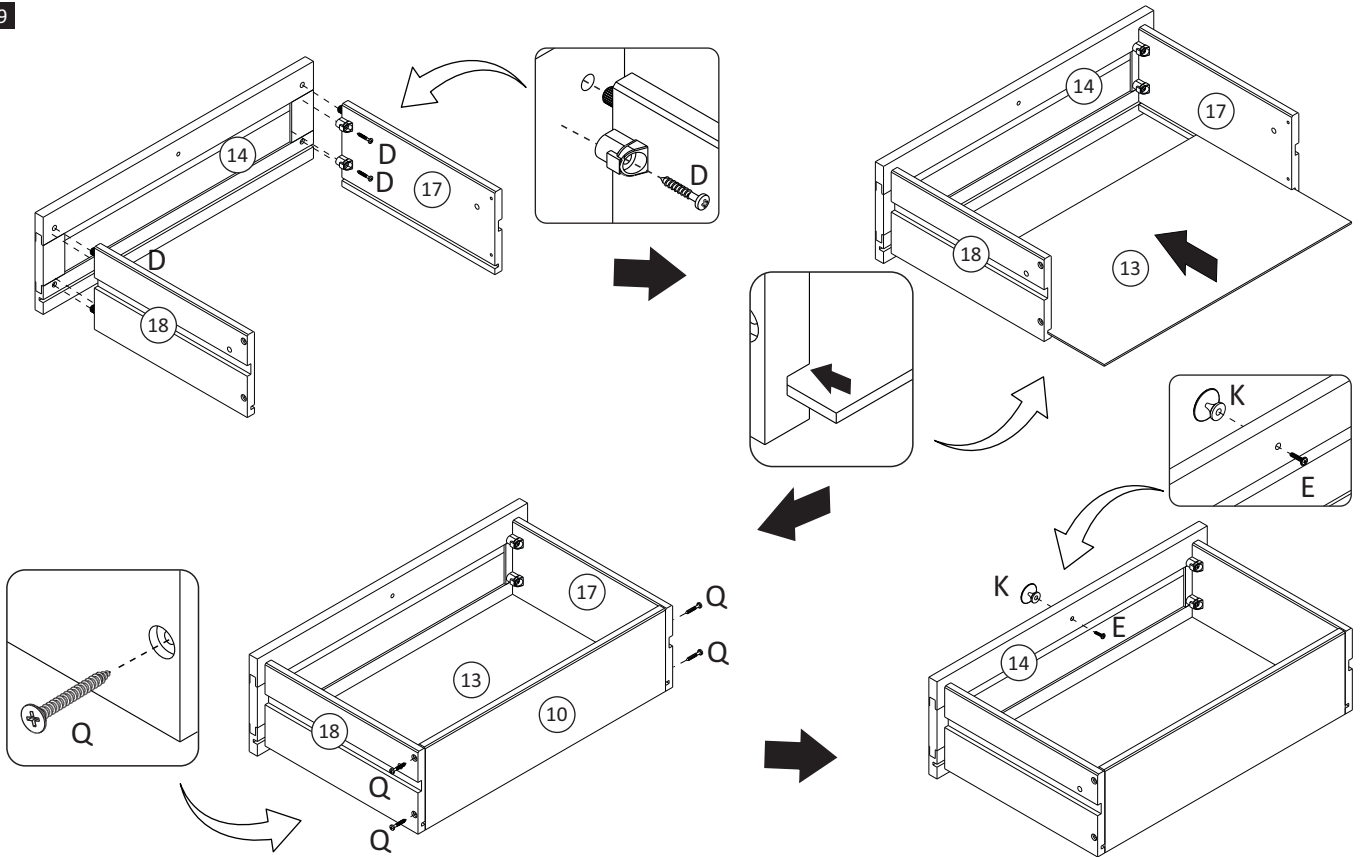


Bx4	
Fx12	

8

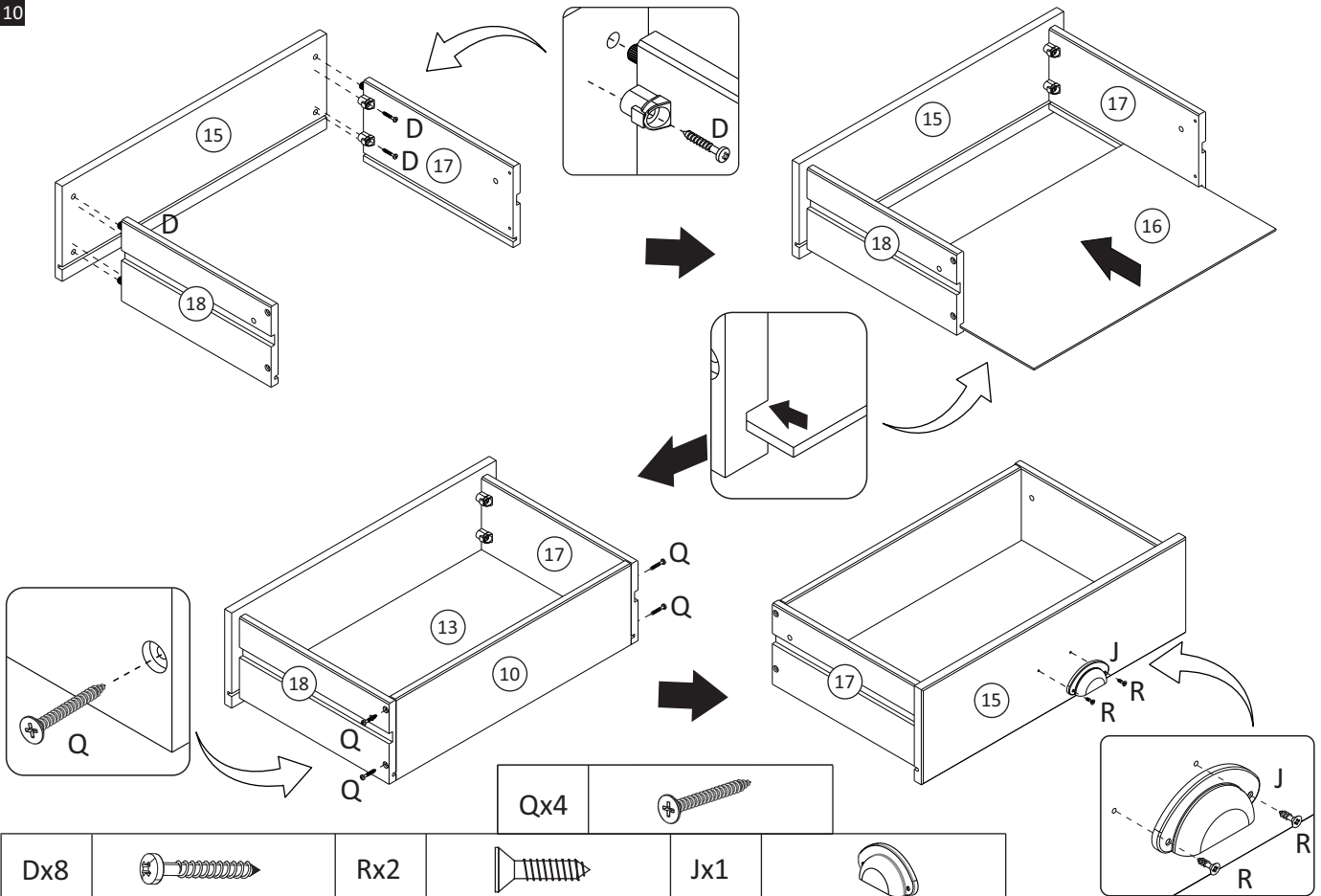


9



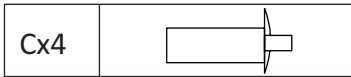
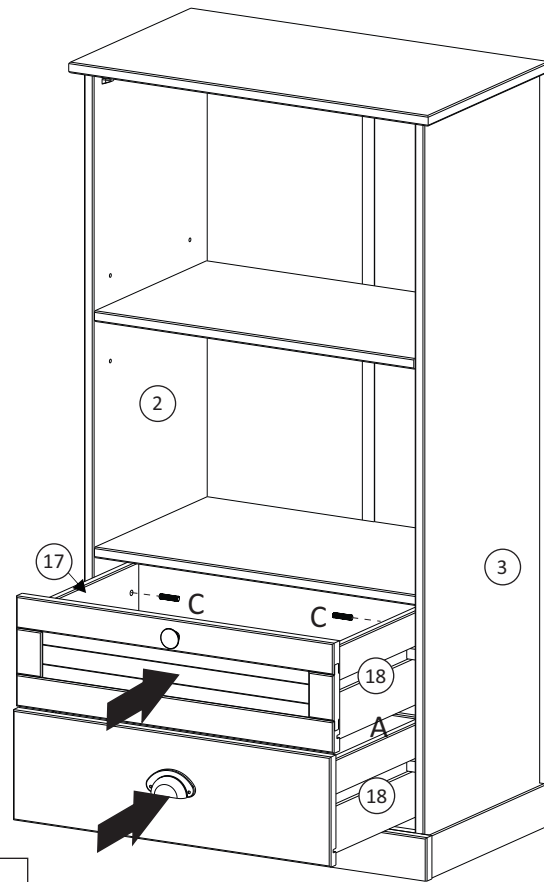
Dx4		Ex1		Kx1		Qx4	
-----	--	-----	--	-----	--	-----	--

10

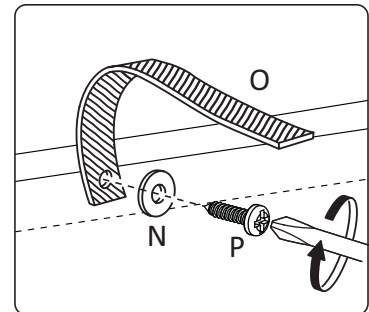
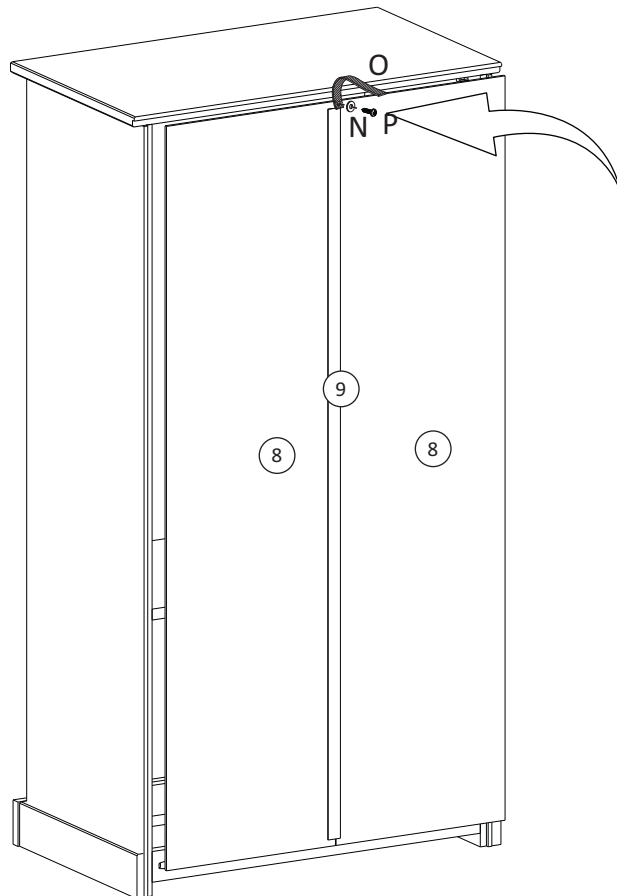


Dx8		Rx2		Jx1		Qx4	
-----	--	-----	--	-----	--	-----	--

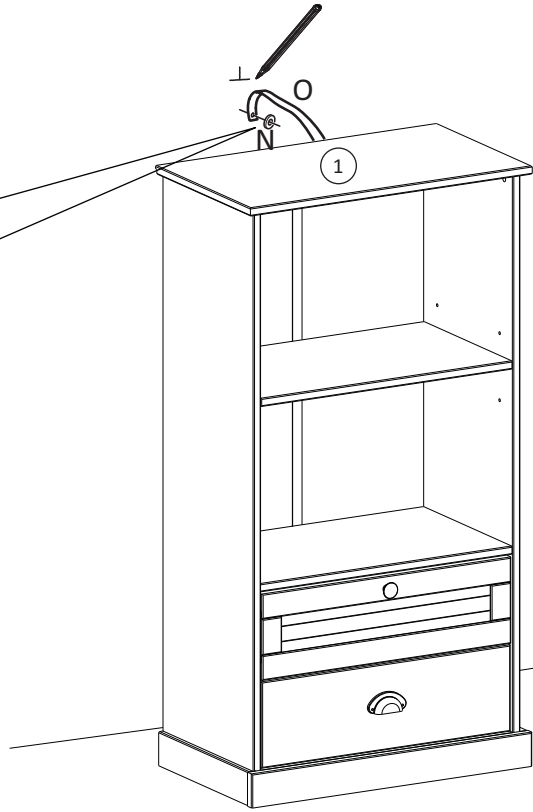
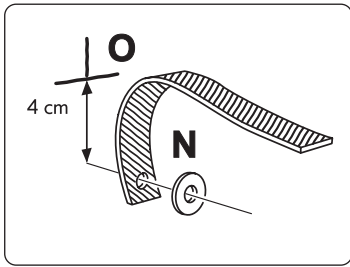
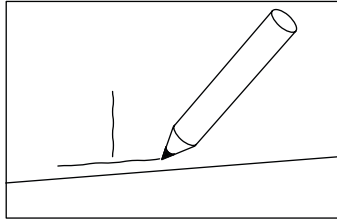
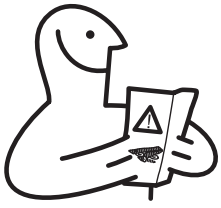
11



12



Nx1	
Ox1	
Px1	



Nx1	
-----	--