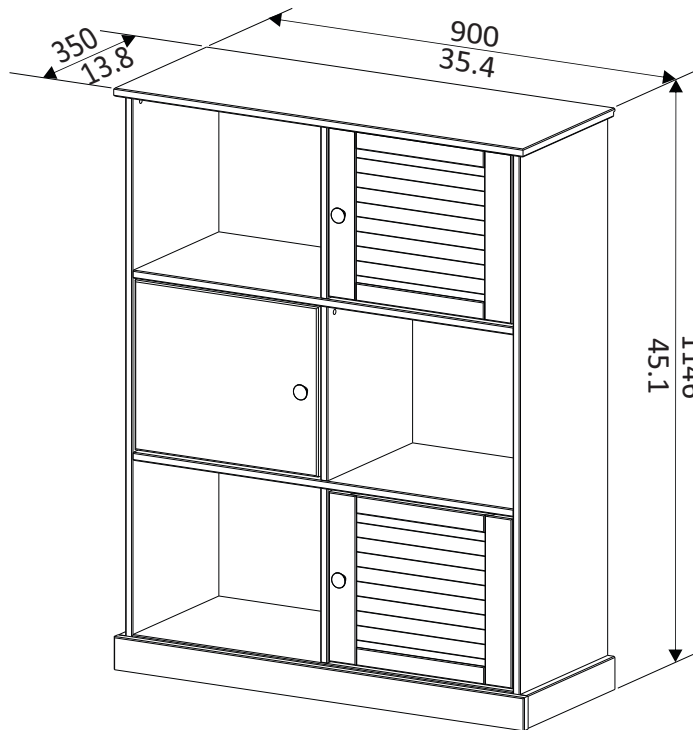
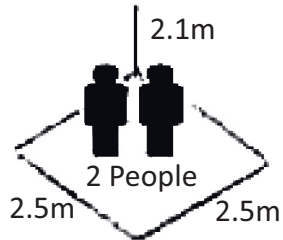


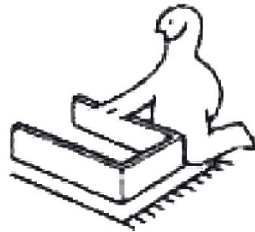
mm
inch



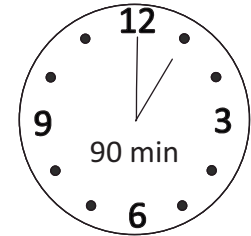
1



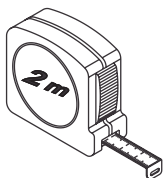
2



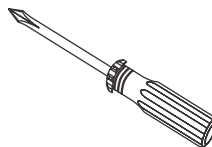
3



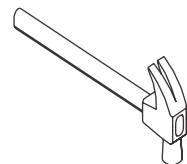
1

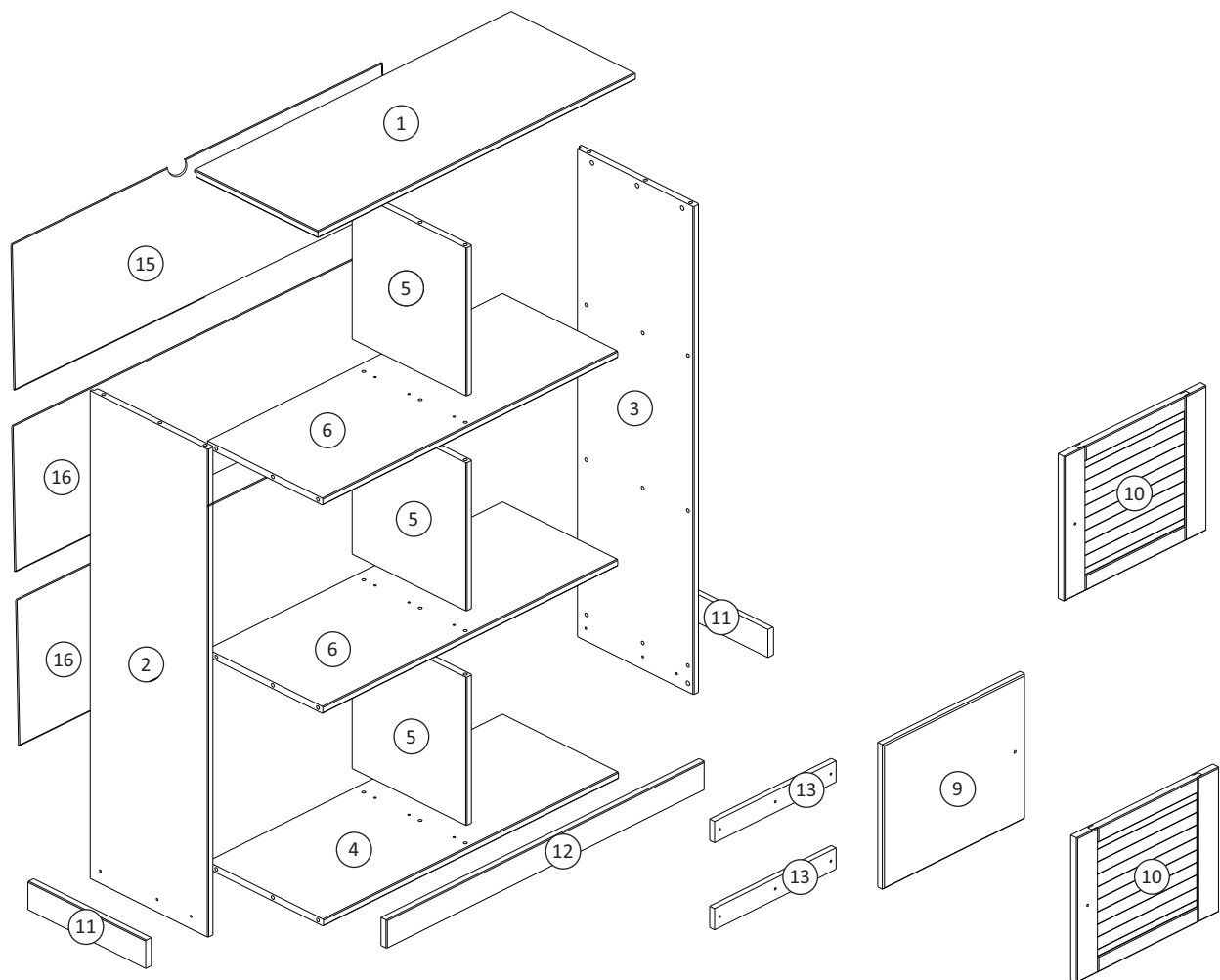


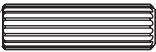



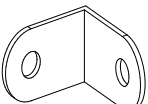

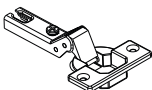
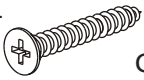
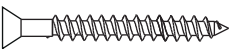
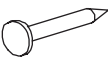

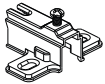

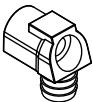


2



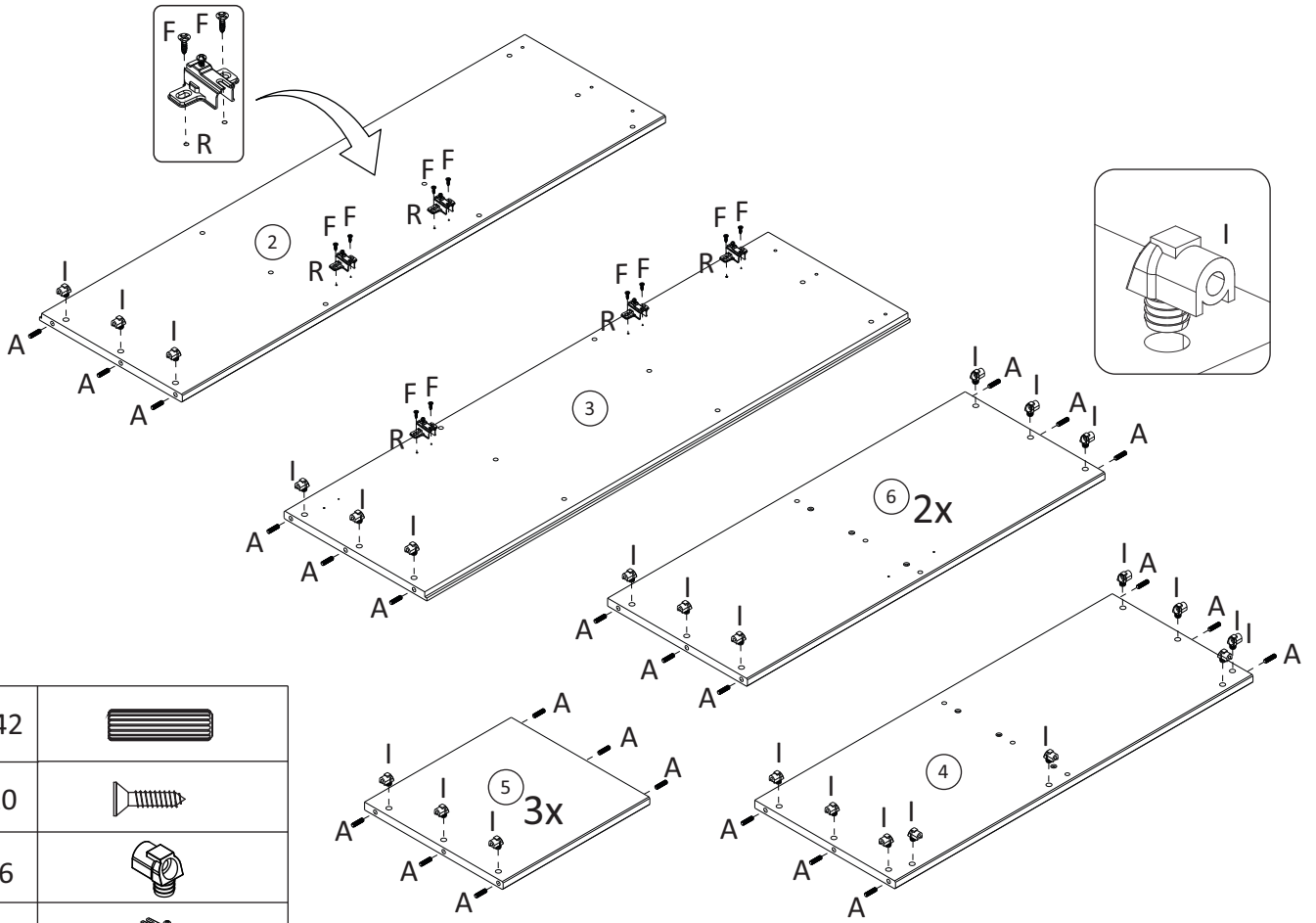
3





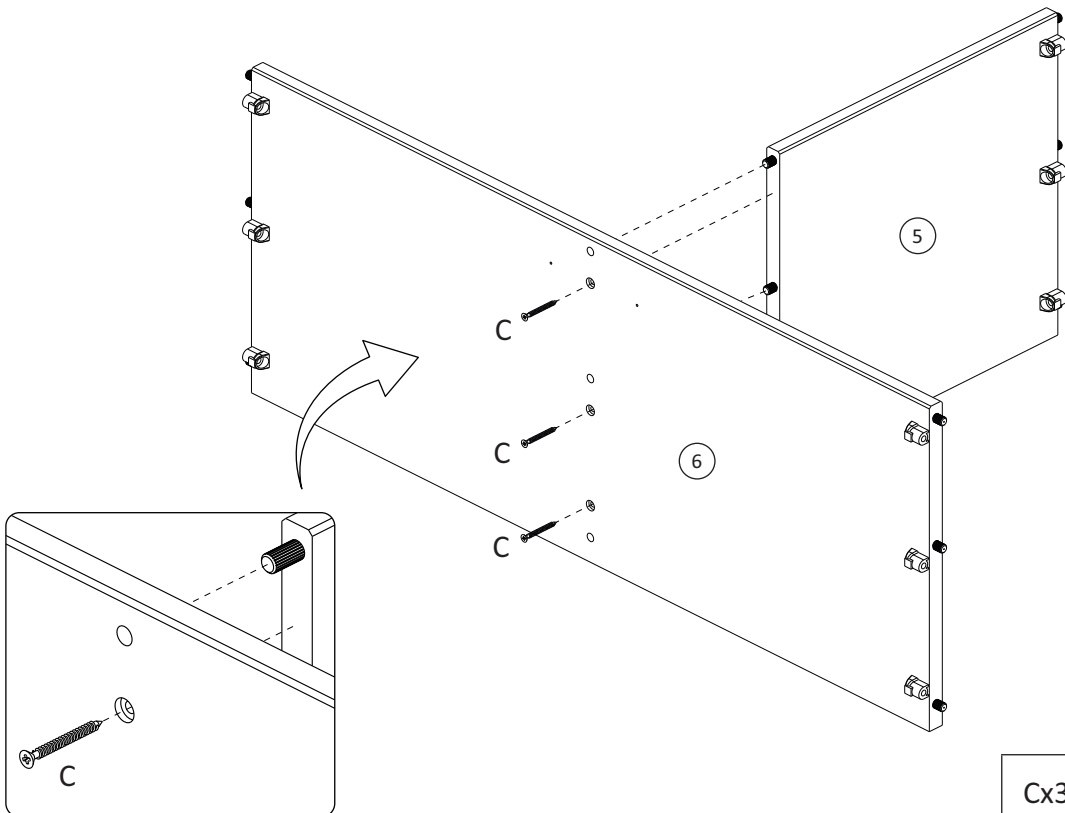
| | | | |
|--|---|--|---|
| Ax42  $\Phi 8 \times \frac{25}{1.0}$ | Ex3  $\Phi M4 \times \frac{22}{0.8}$ | Kx3  | Ox1  |
| Bx2  18x18 mm | Fx31  $3.5 \times \frac{14}{0.6}$ | Lx6  | Px1  $\Phi 3.5 \times \frac{22}{0.6}$ |
| Cx9  $4.0 \times \frac{40}{1.6}$ | Gx36  $\frac{8 \times 8}{0.3 \times 0.3}$ | Mx6  | Rx6  |
| Dx48  $3.5 \times \frac{25}{0.99}$ | Ix36  | Nx2  | Sx3  |

1



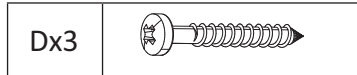
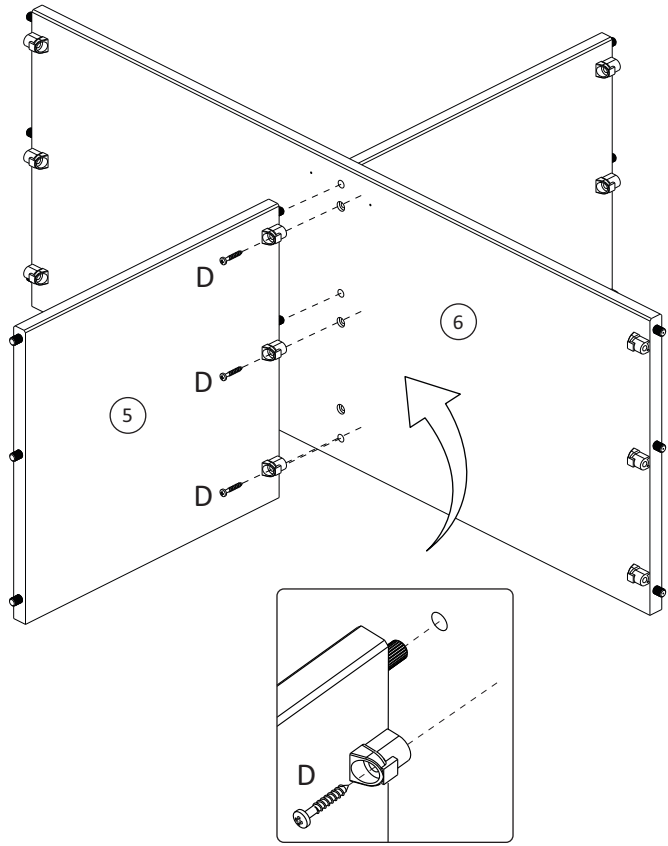
| | |
|------|--|
| Ax42 | |
| Fx10 | |
| Ix36 | |
| Rx5 | |

2

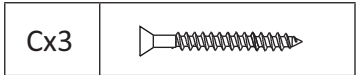
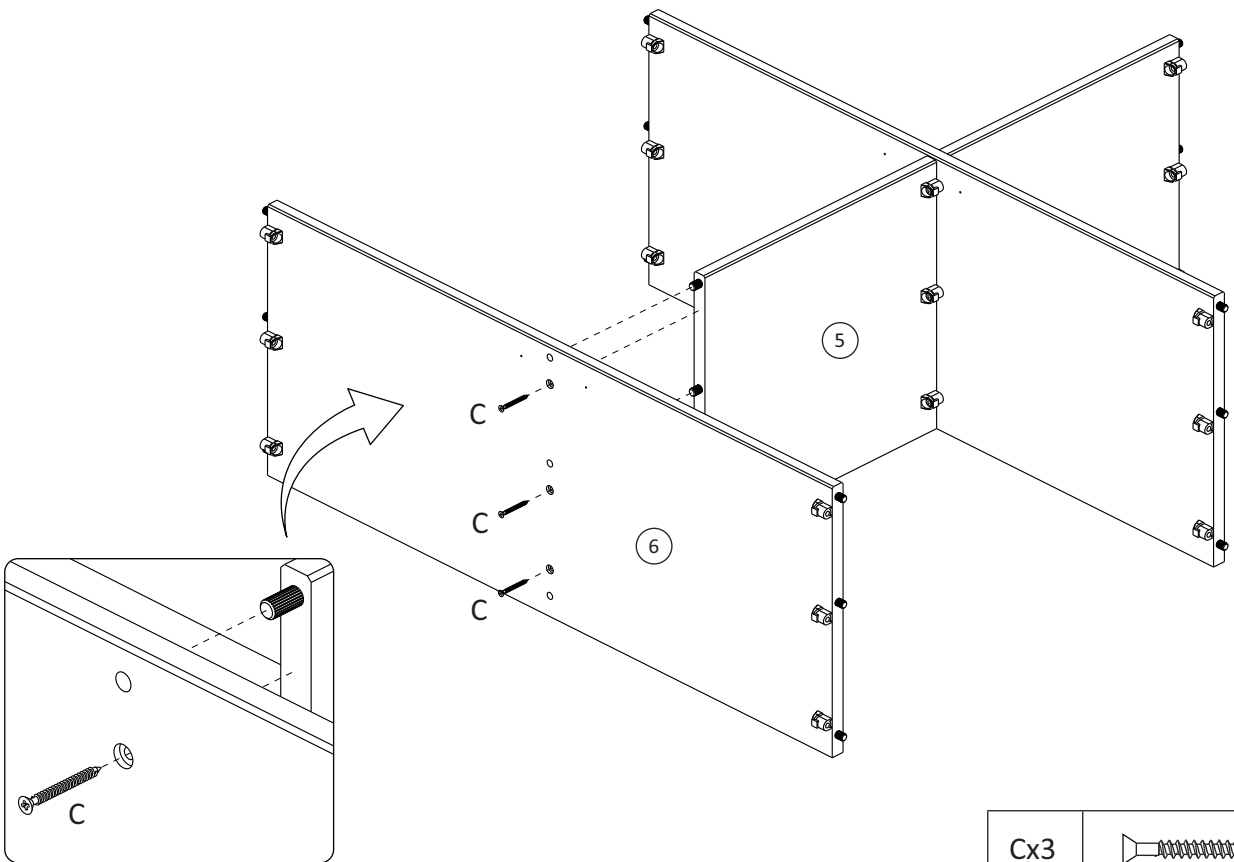


| | |
|-----|--|
| Cx3 | |
|-----|--|

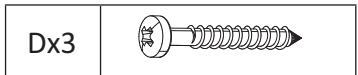
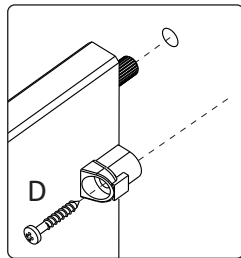
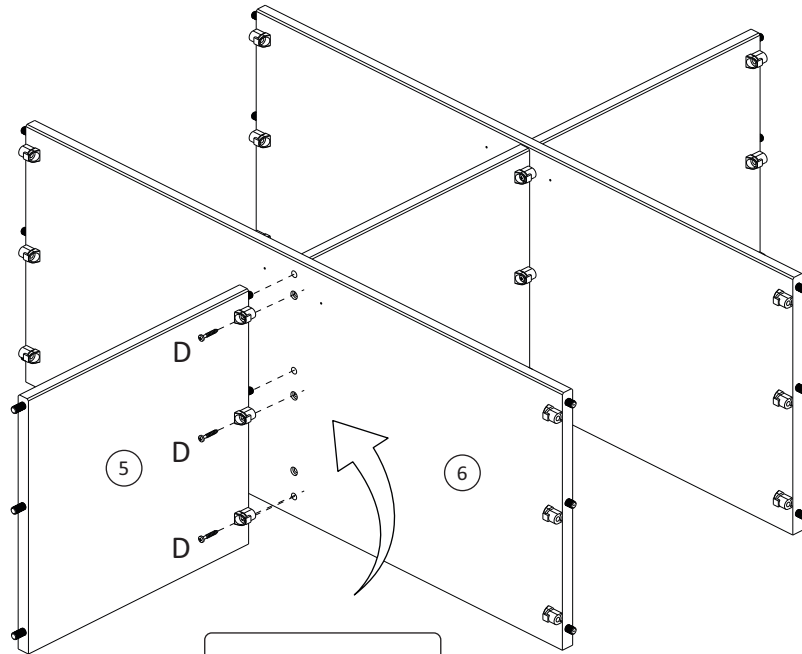
3



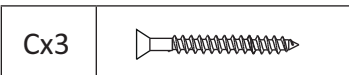
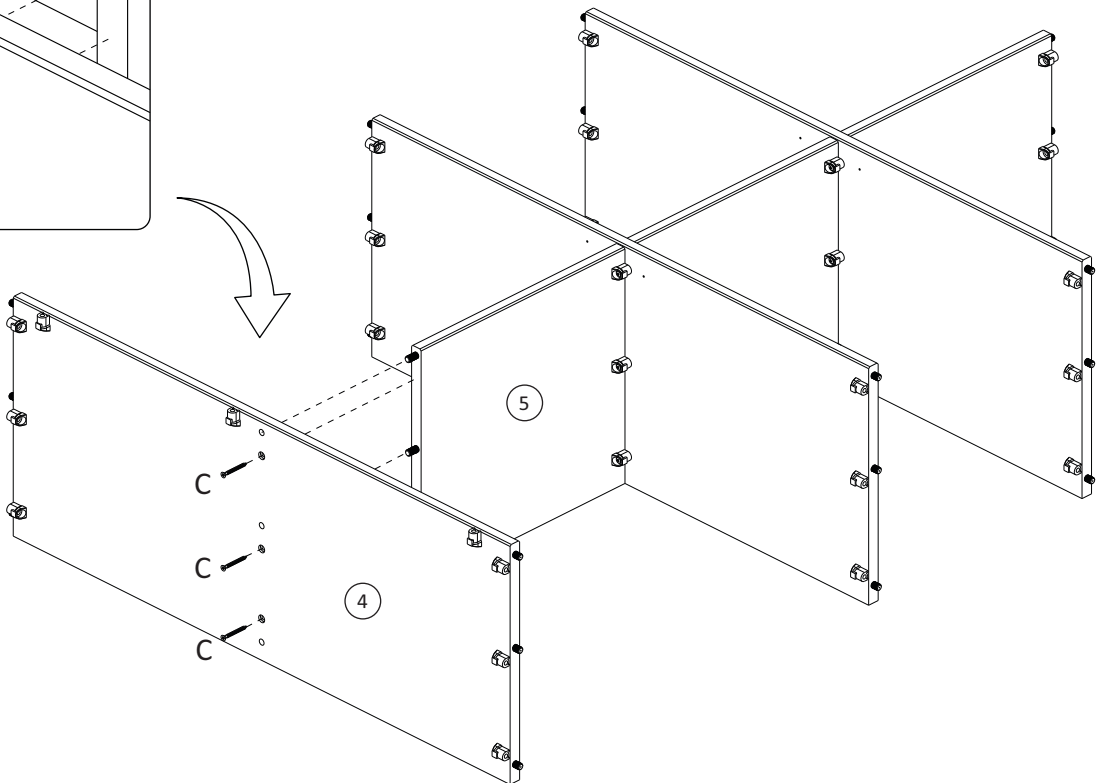
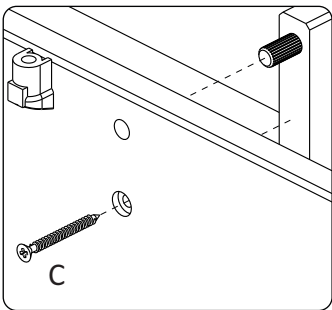
4



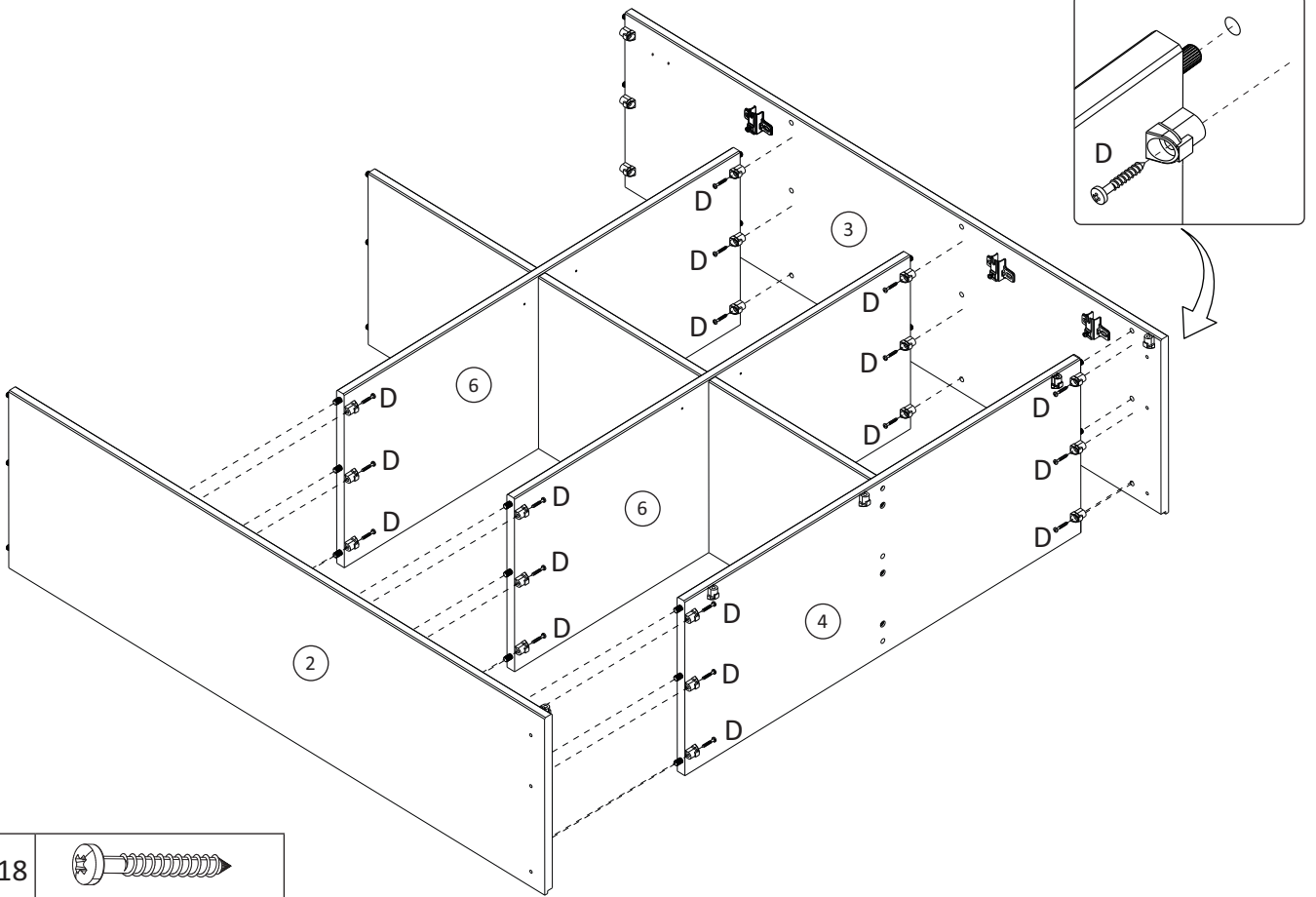
5




6

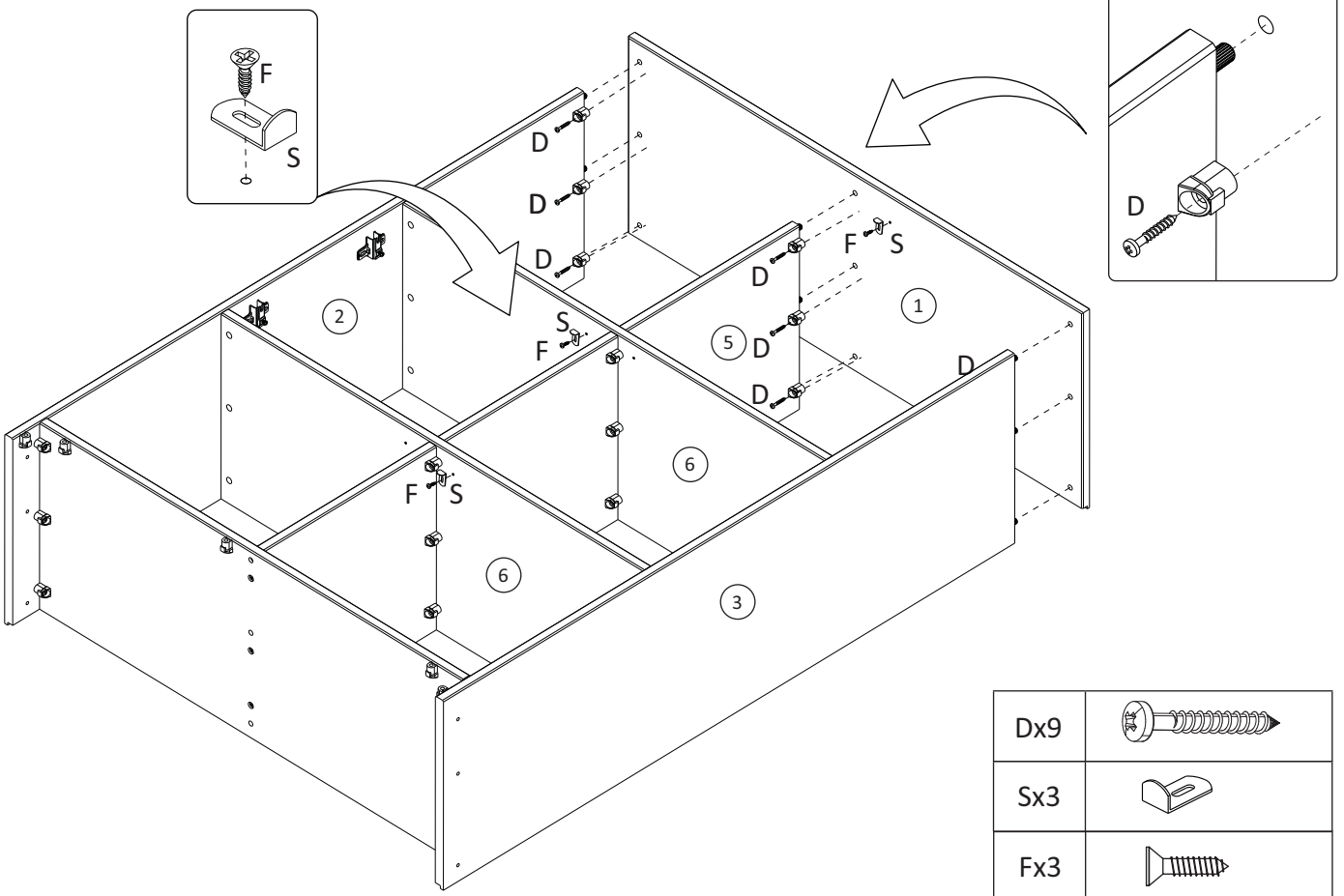





7



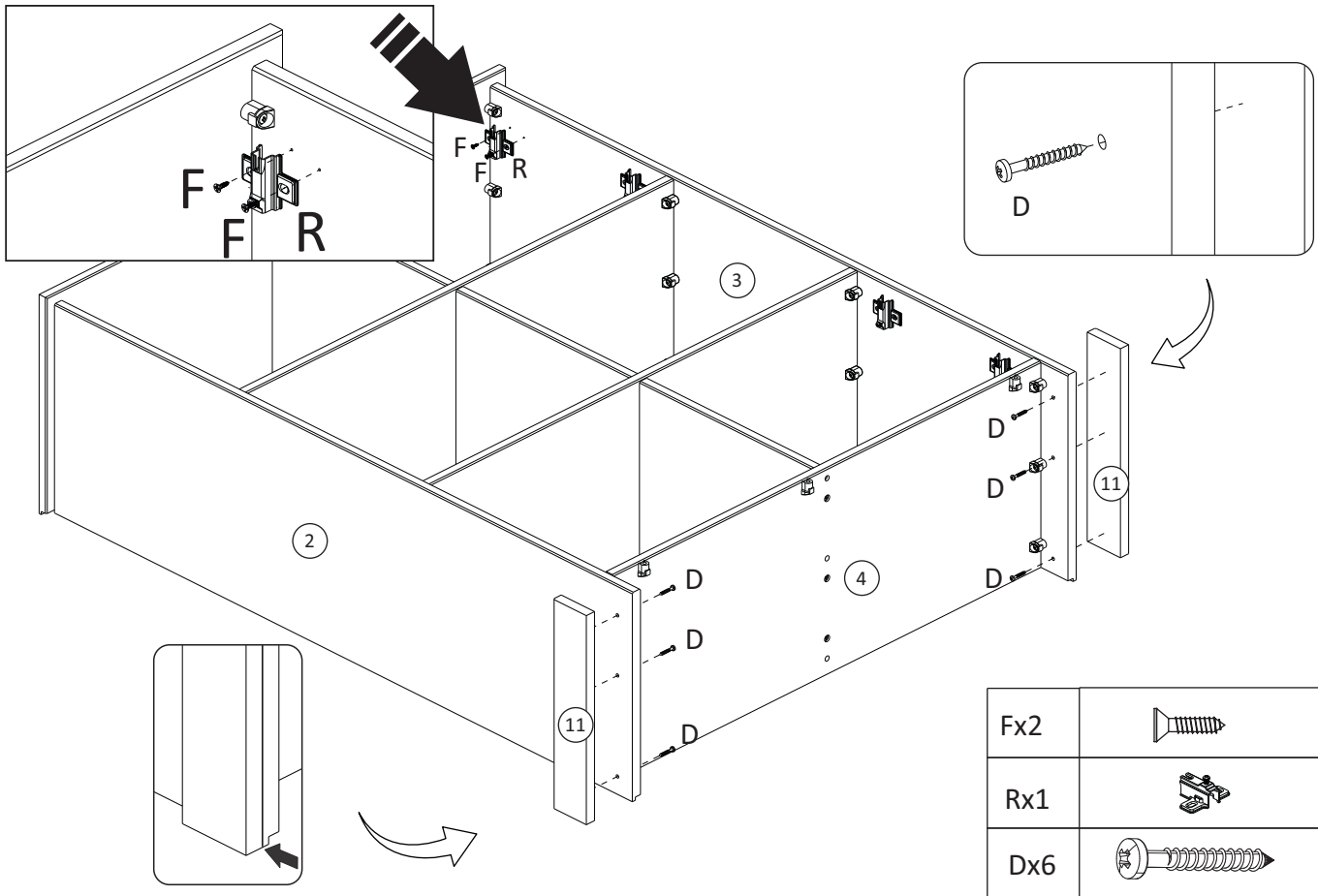
| | |
|------|---|
| Dx18 |  |
|------|---|

8

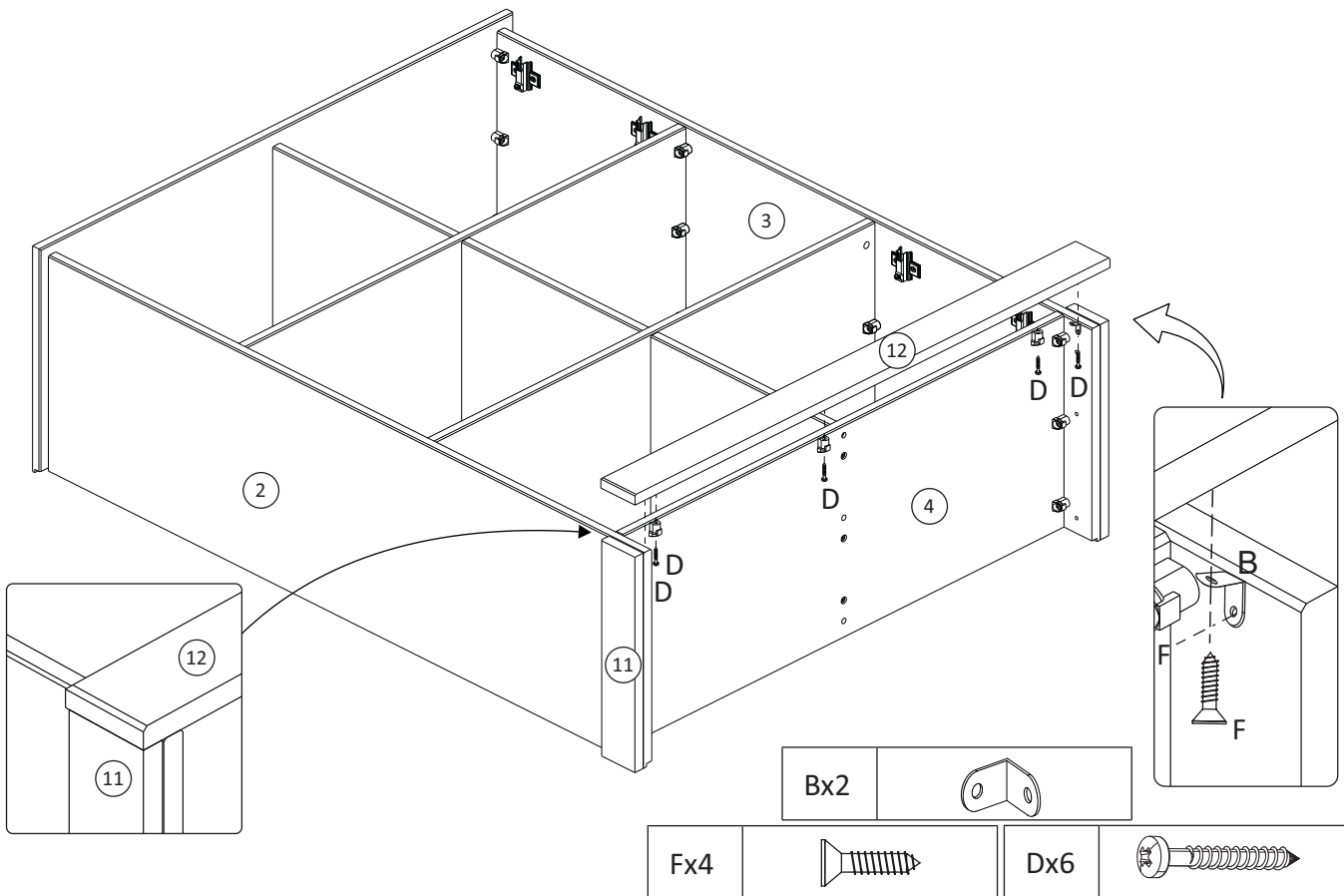


| | |
|-----|---|
| Dx9 |  |
| Sx3 |  |
| Fx3 |  |

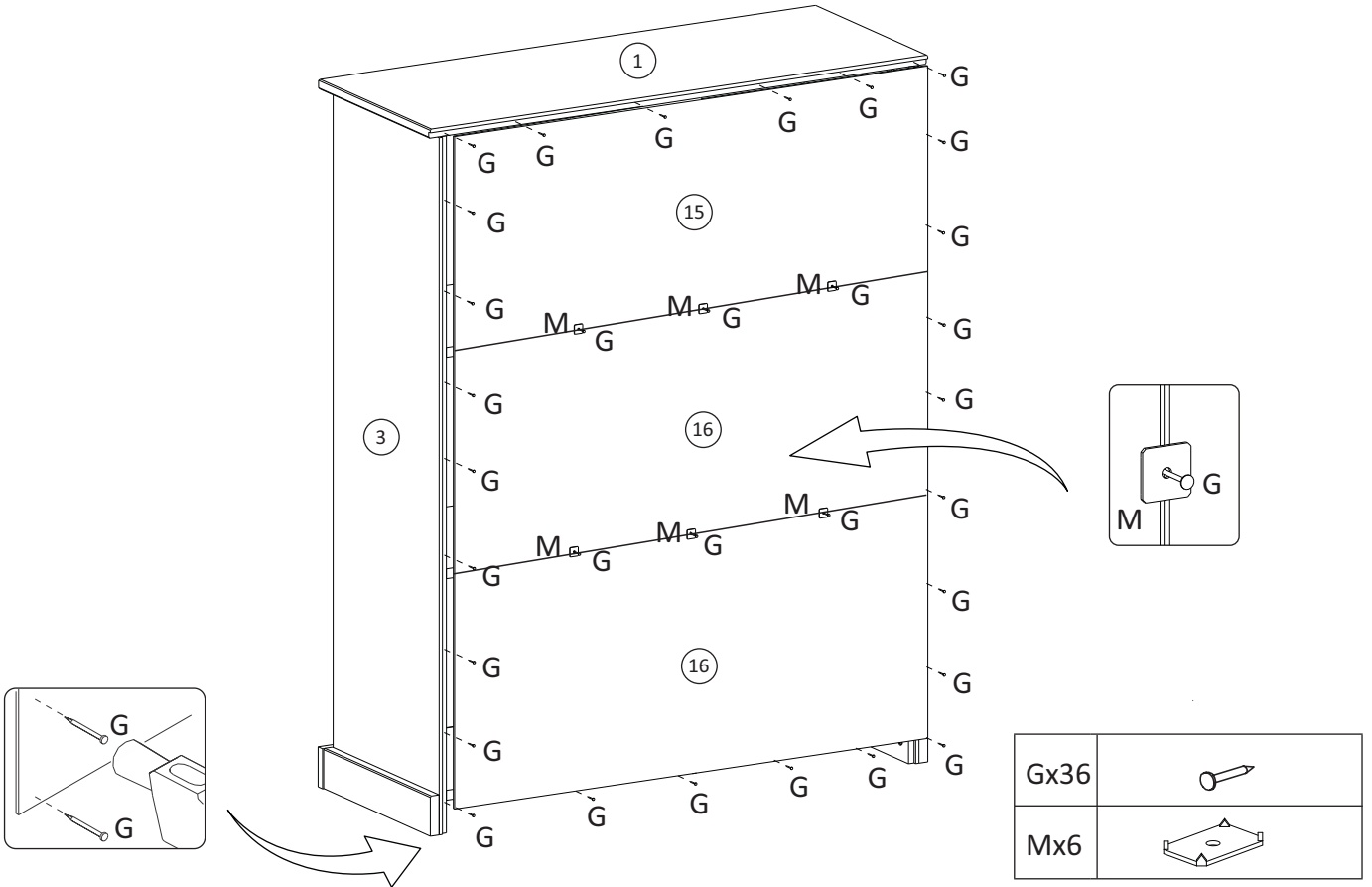
9



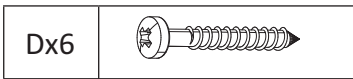
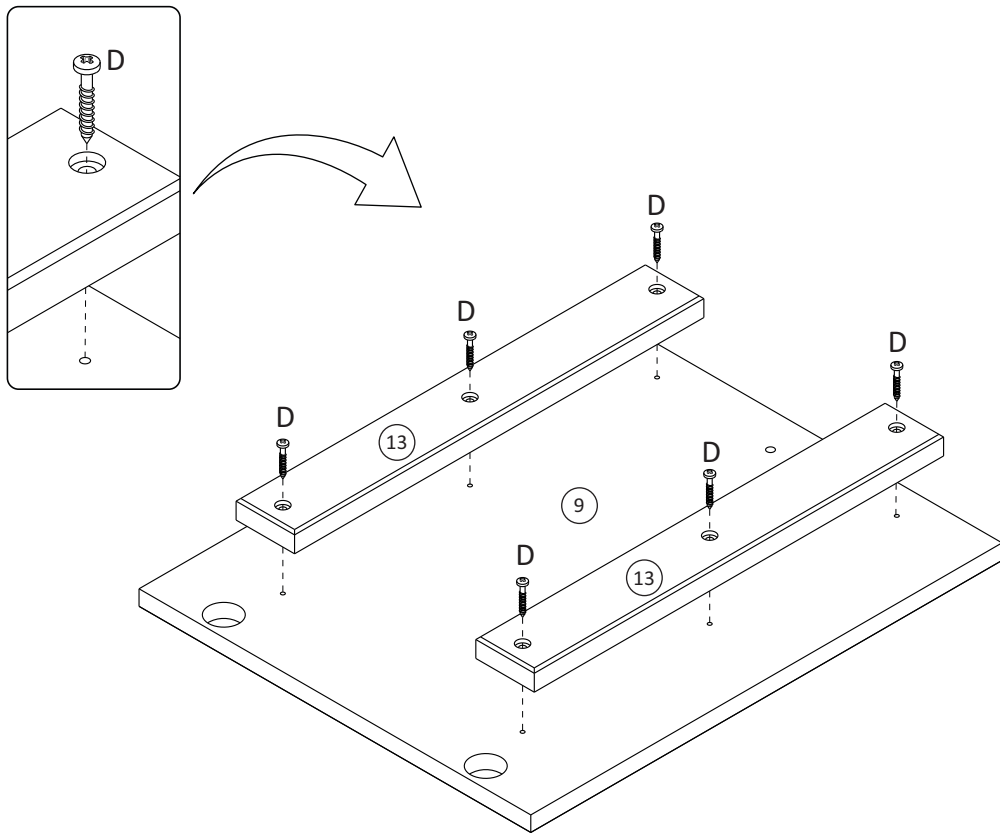
10



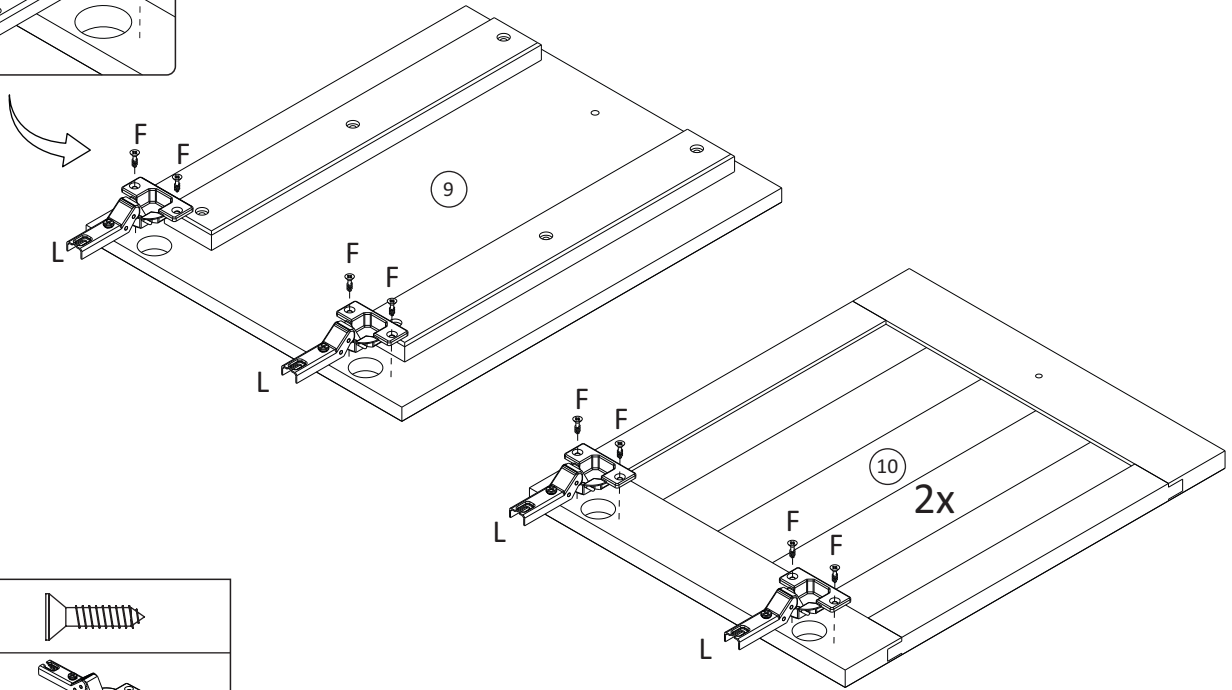
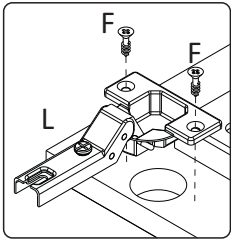
11



12

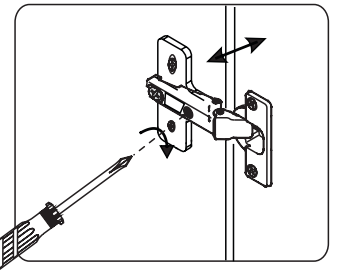
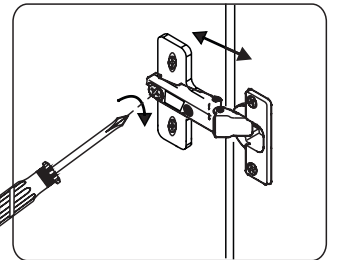
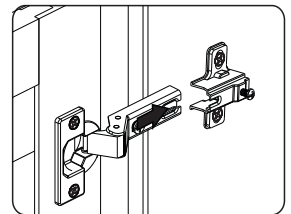
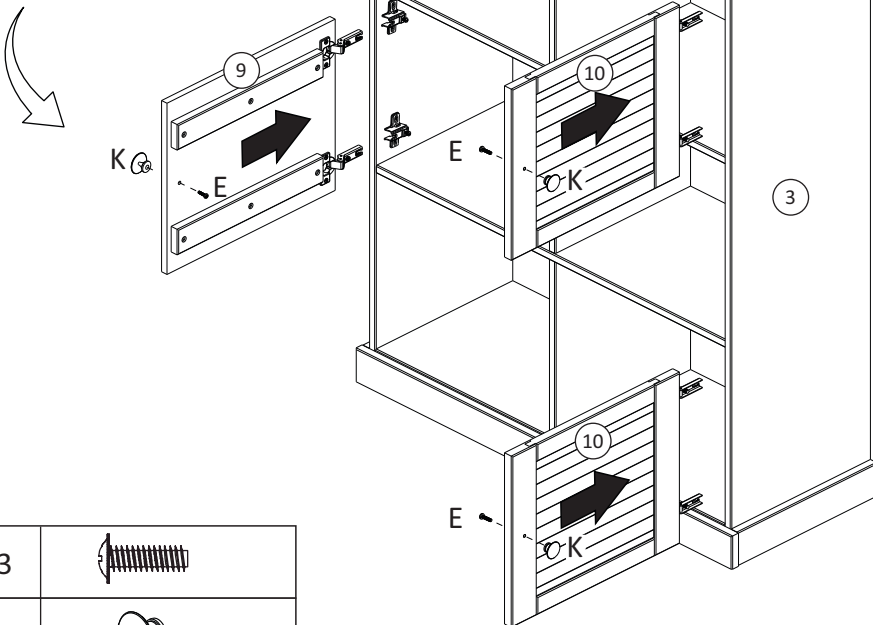
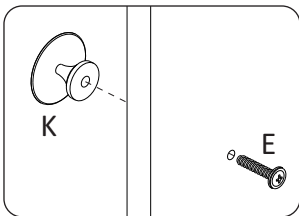


13



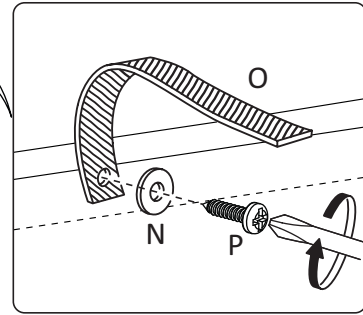
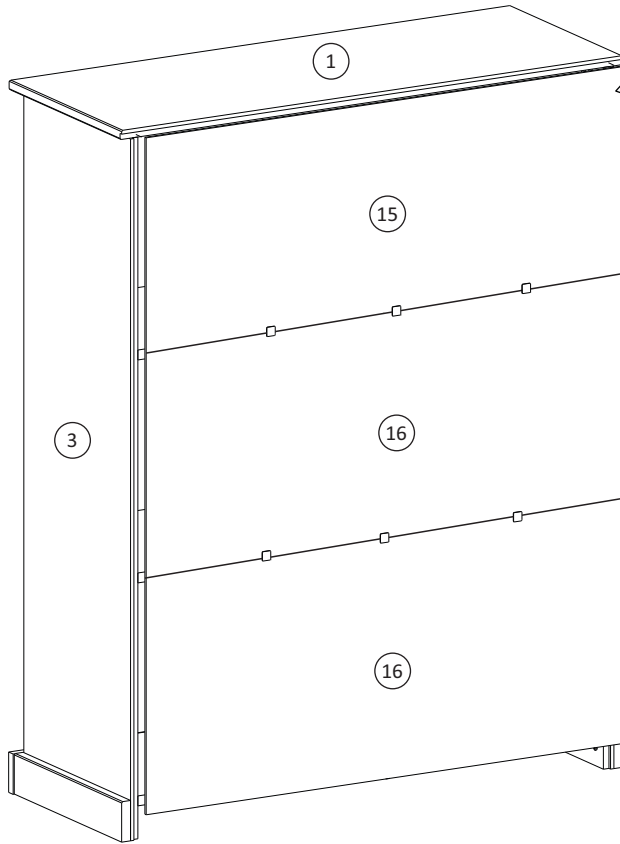
| | |
|------|--|
| Fx12 | |
| Lx6 | |



14



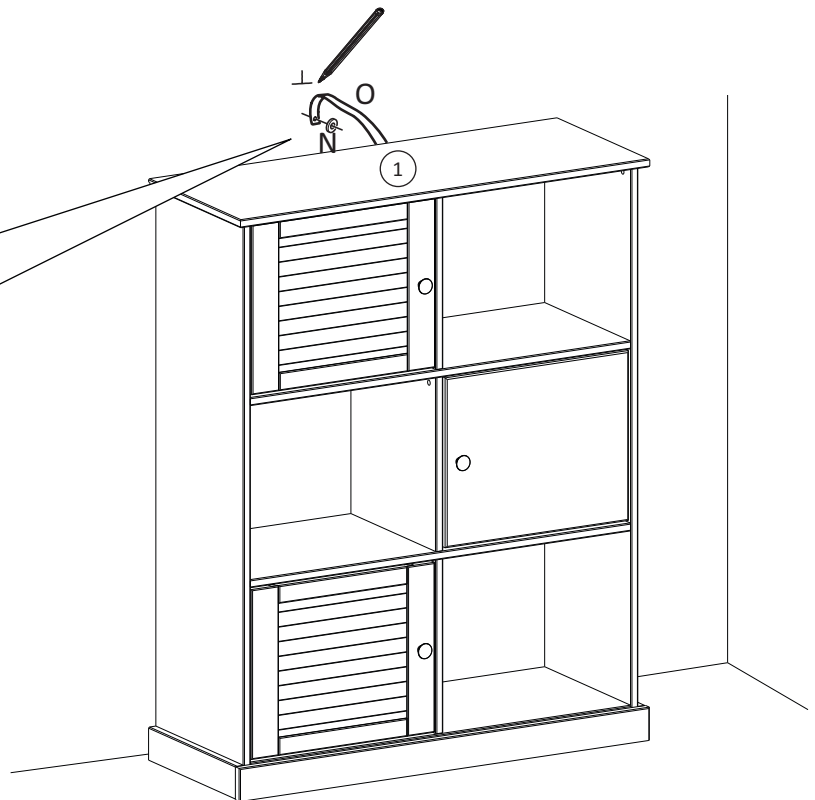
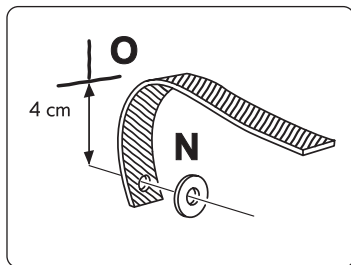
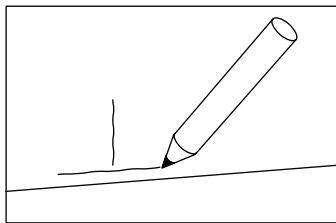
| | |
|-----|--|
| Ex3 | |
| Kx3 | |



15



| | |
|-----|---|
| Nx1 |  |
| Ox1 |  |

16



| | |
|-----|--|
| Nx1 |  |
| Px1 |  $\Phi 3.5 \times \frac{22}{0.6}$ |