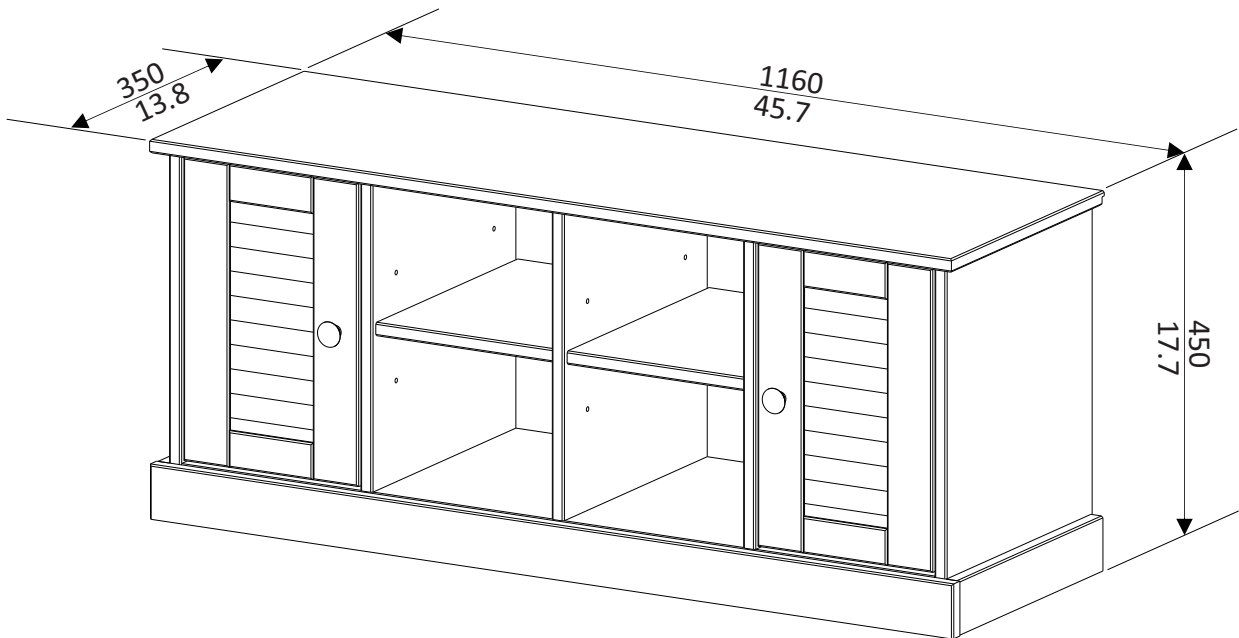
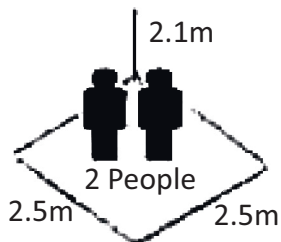


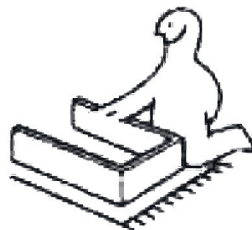
mm
inch



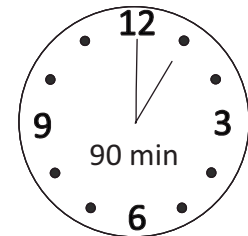
1



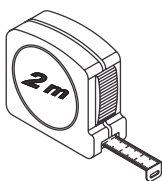
2



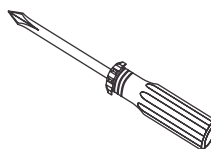
3



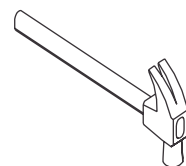
1

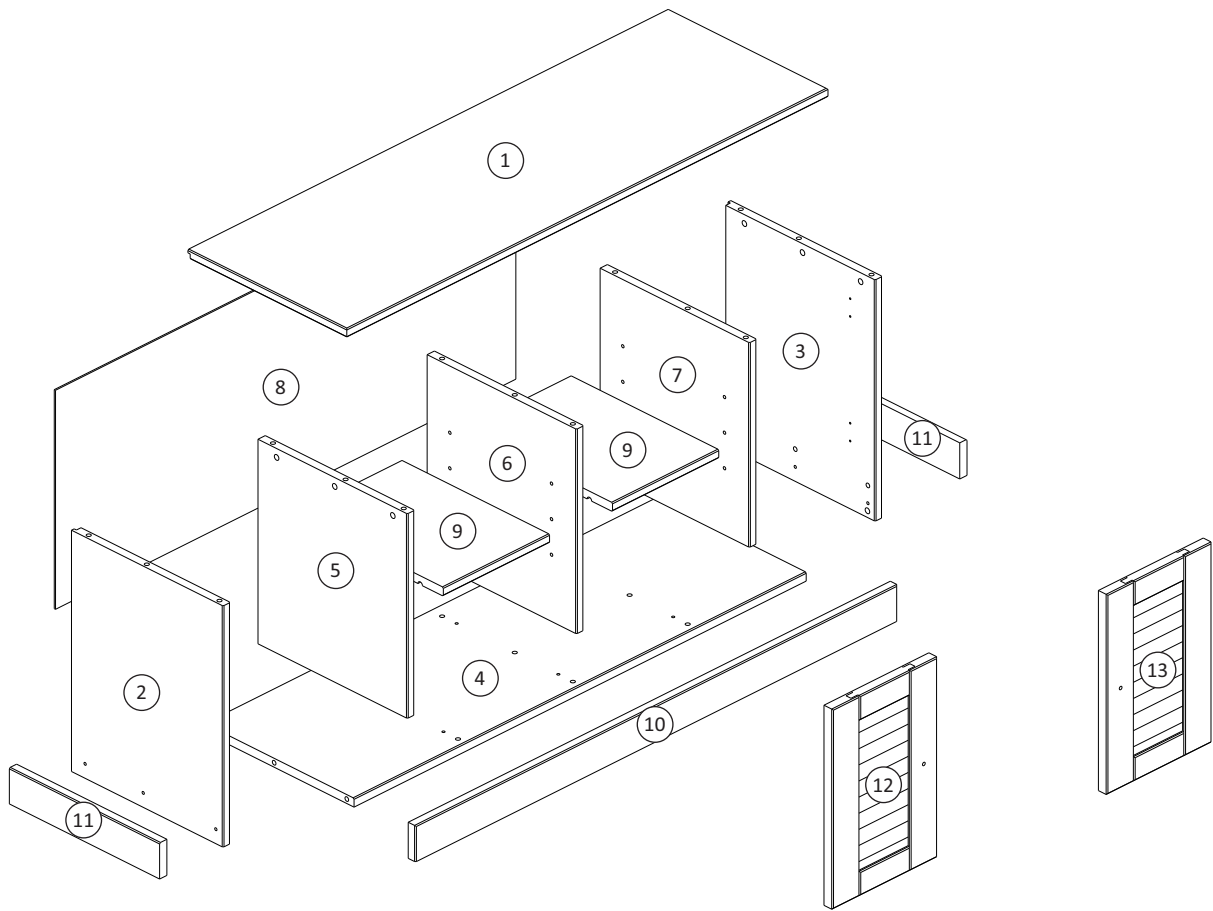





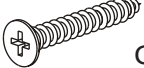
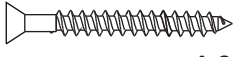
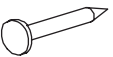
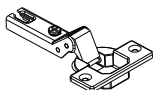
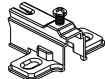
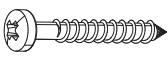


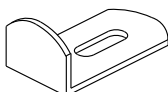

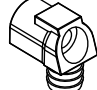

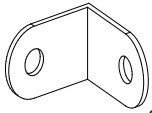
2



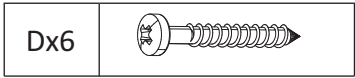
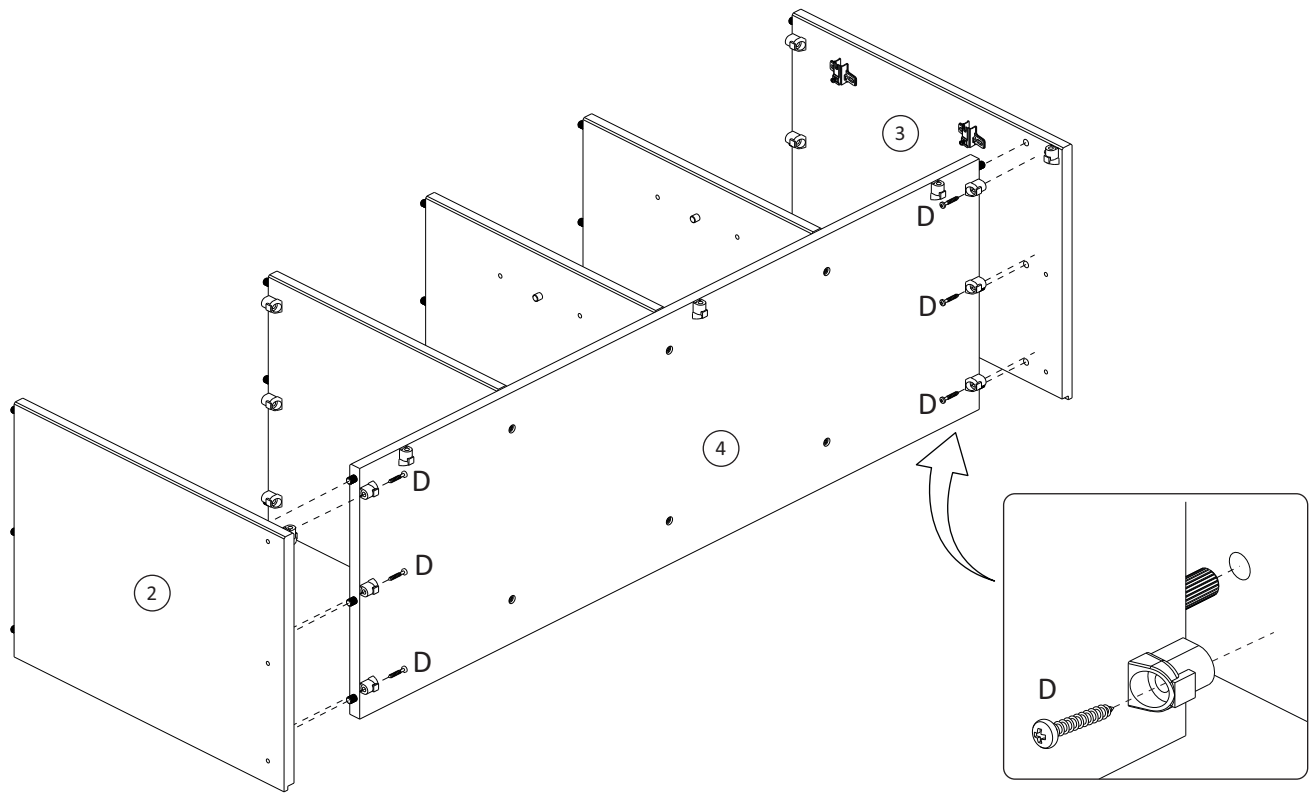
3



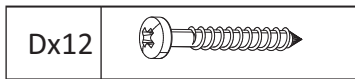
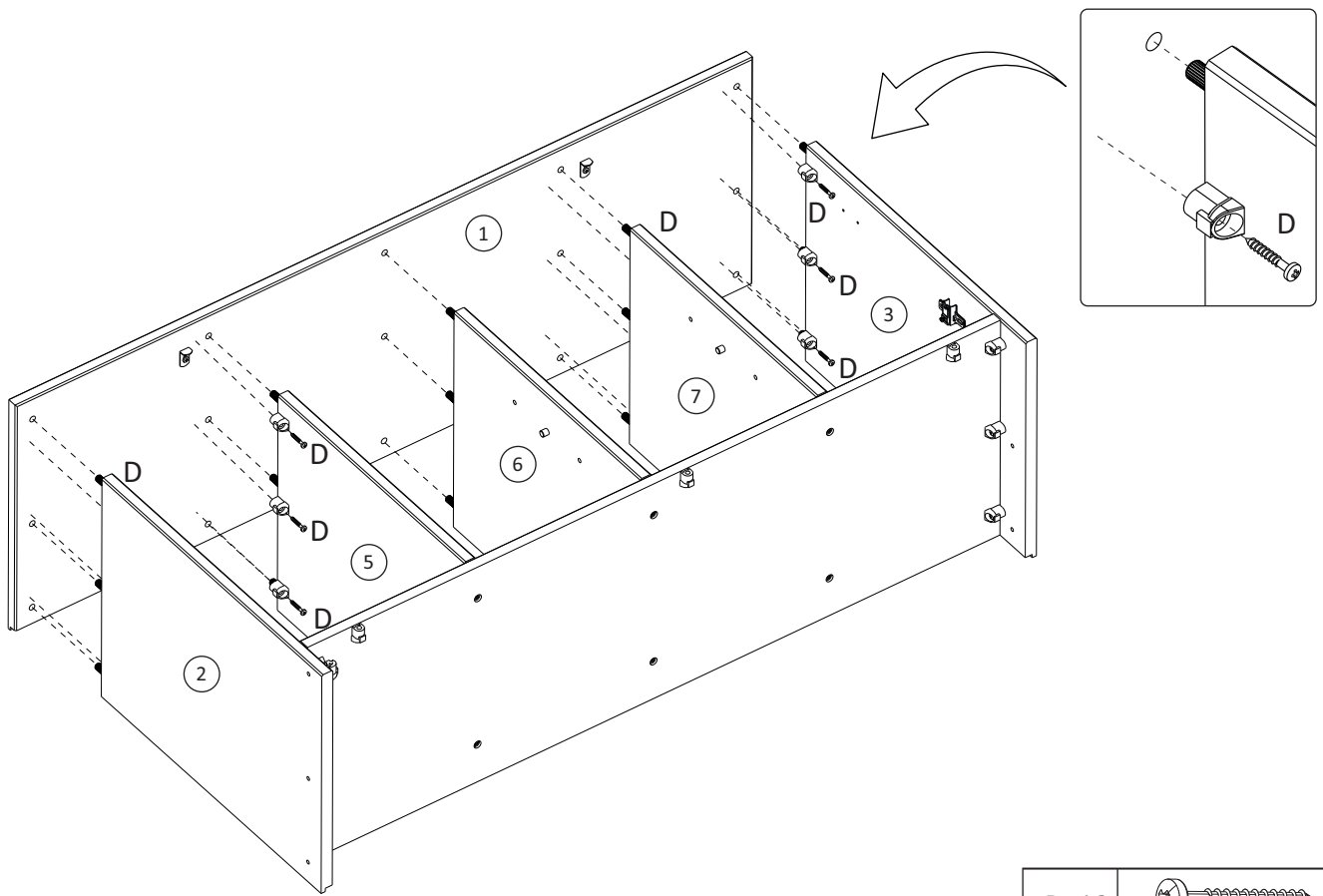


Ax30  $\Phi 8 \times \frac{25}{1.0}$	Fx22  $3.5 \times \frac{14}{0.6}$	Kx2 	Px1  $\Phi 3.5 \times \frac{22}{0.6}$
Cx6  $4.0 \times \frac{40}{1.6}$	Gx26  $\frac{10 \times 10}{0.3 \times 0.3}$	Lx4 	Rx4 
Dx27  $3.5 \times \frac{25}{0.99}$	Hx8 	Nx2 	Sx2 
Ex2  $\Phi M4 \times \frac{22}{0.8}$	Ix21 	Ox1 	Tx2  18x18 mm

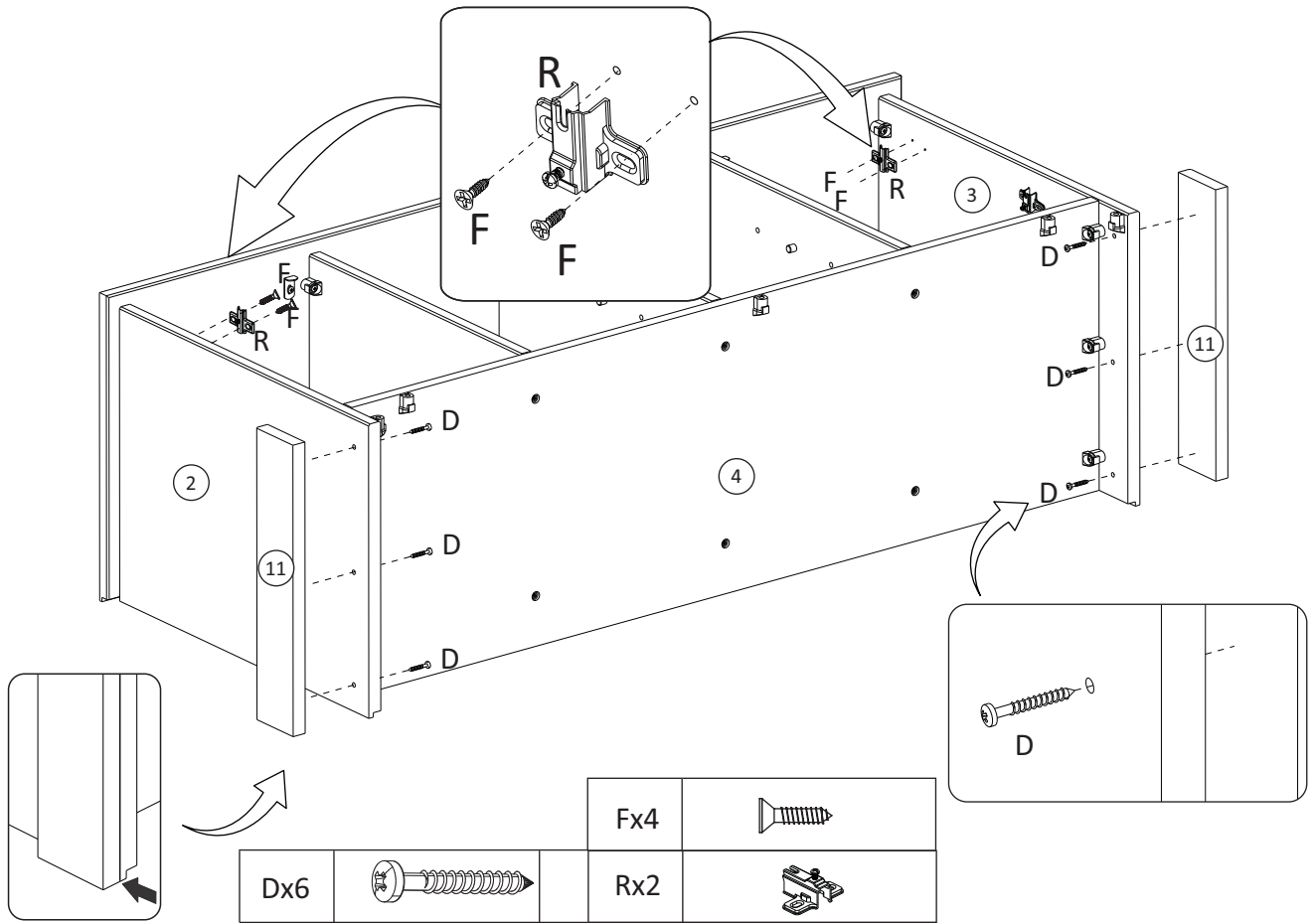
3



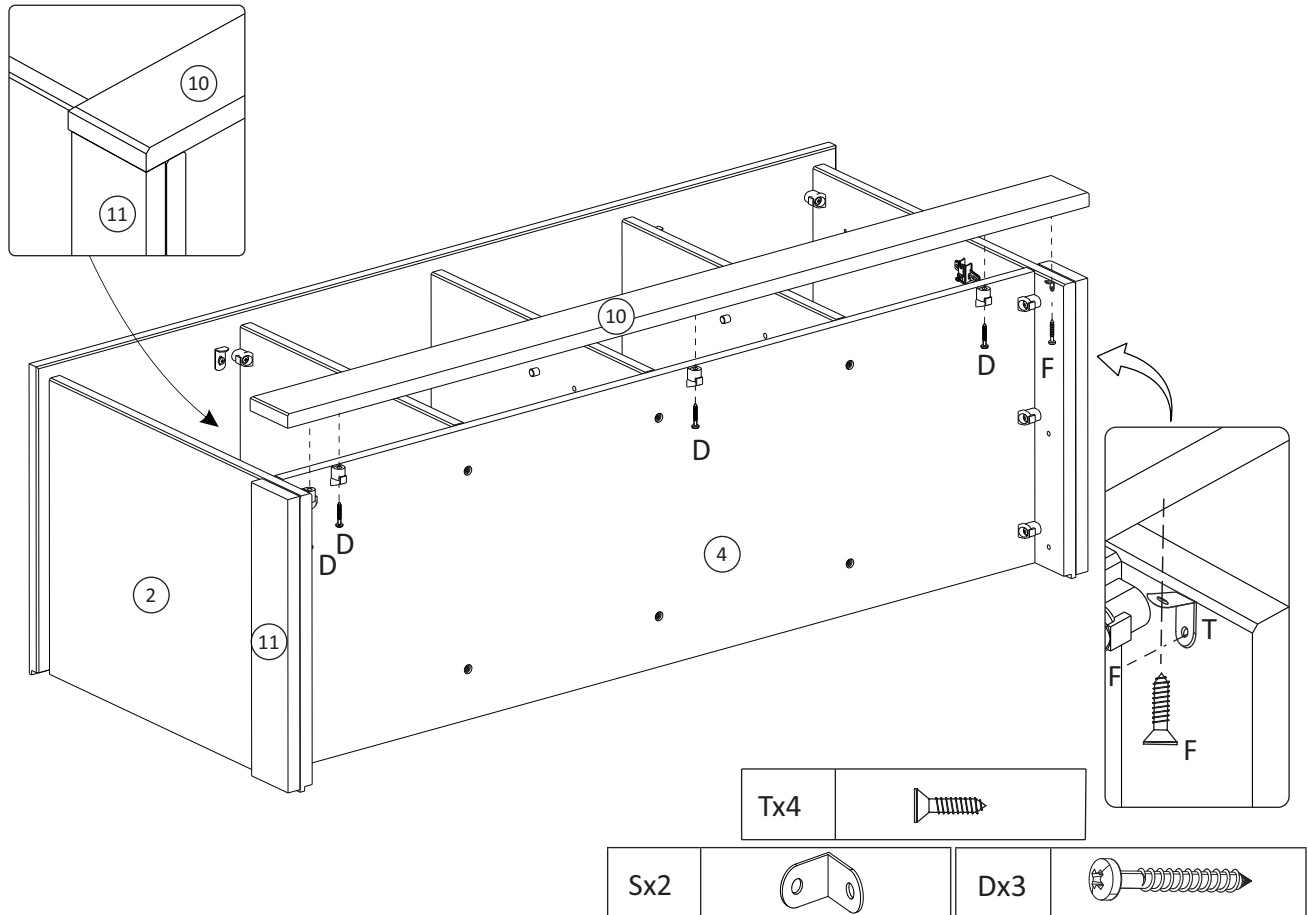
4



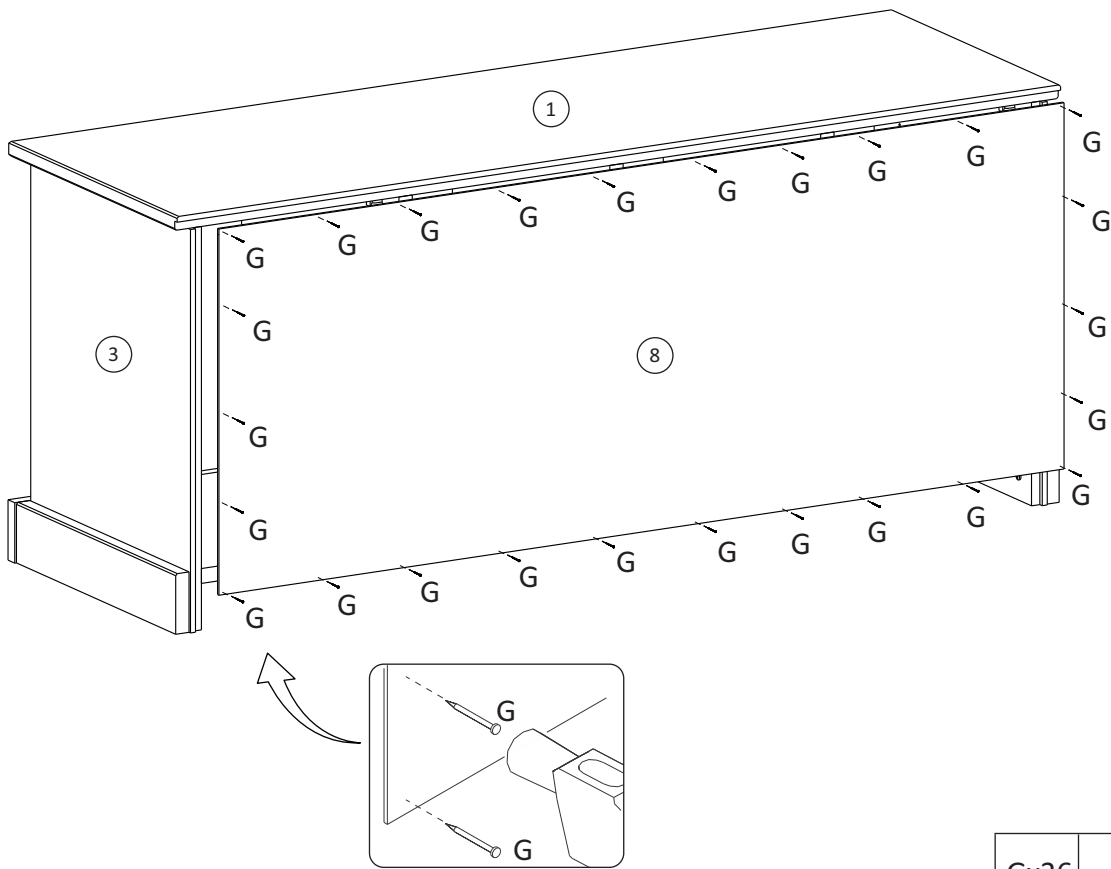
5



6



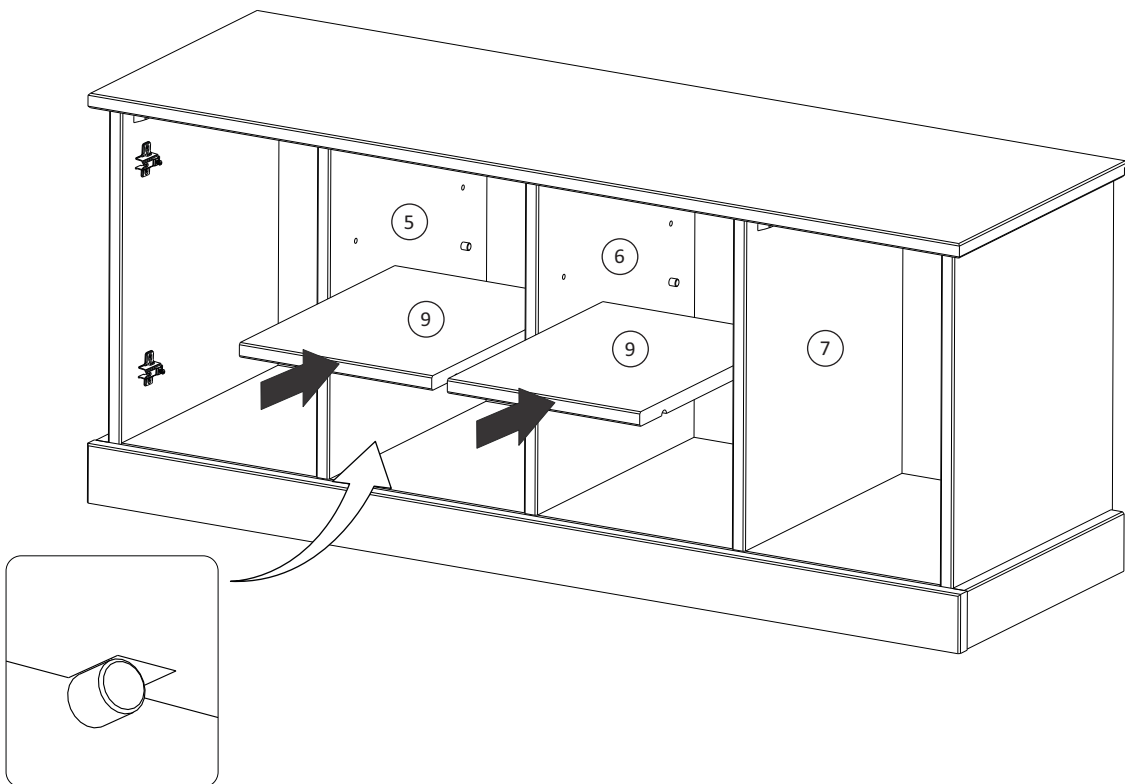
7



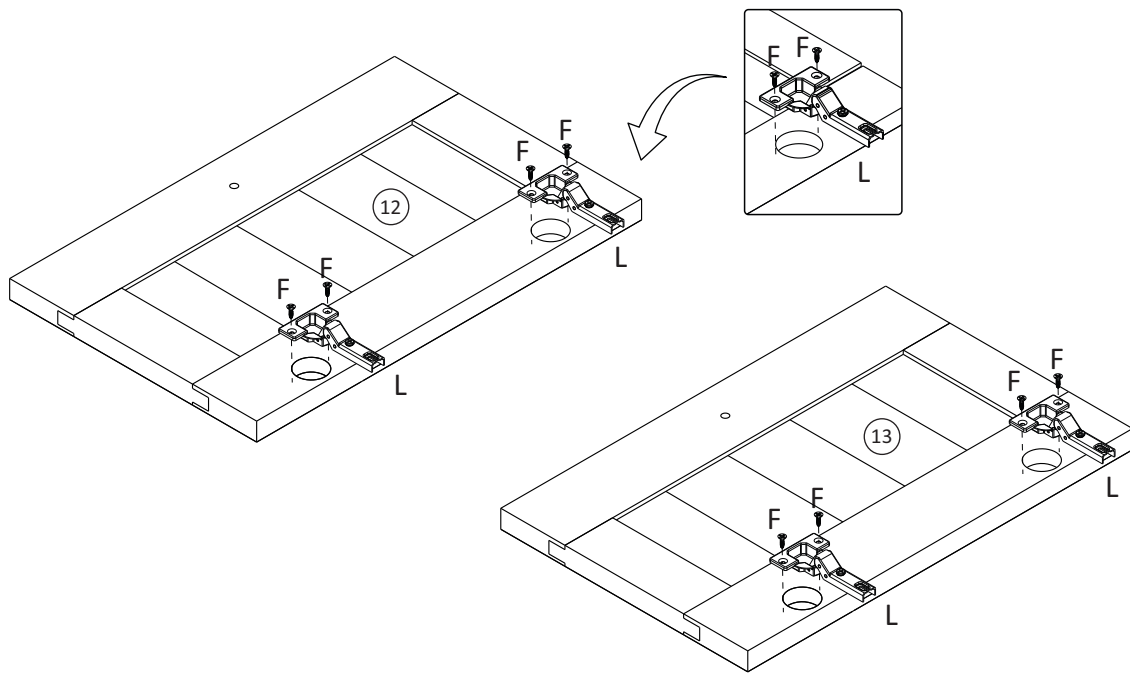
Gx26

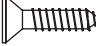



8

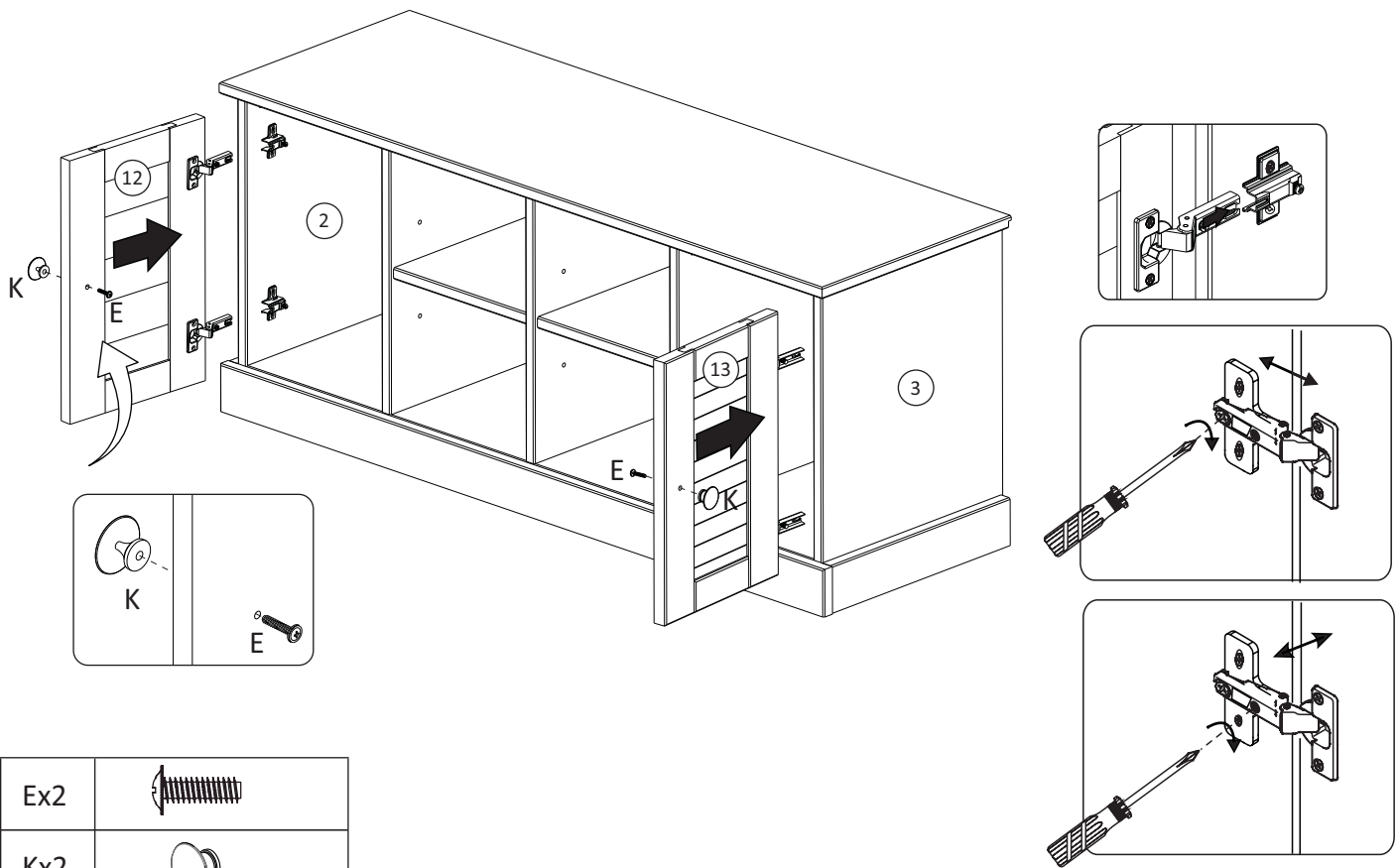




9



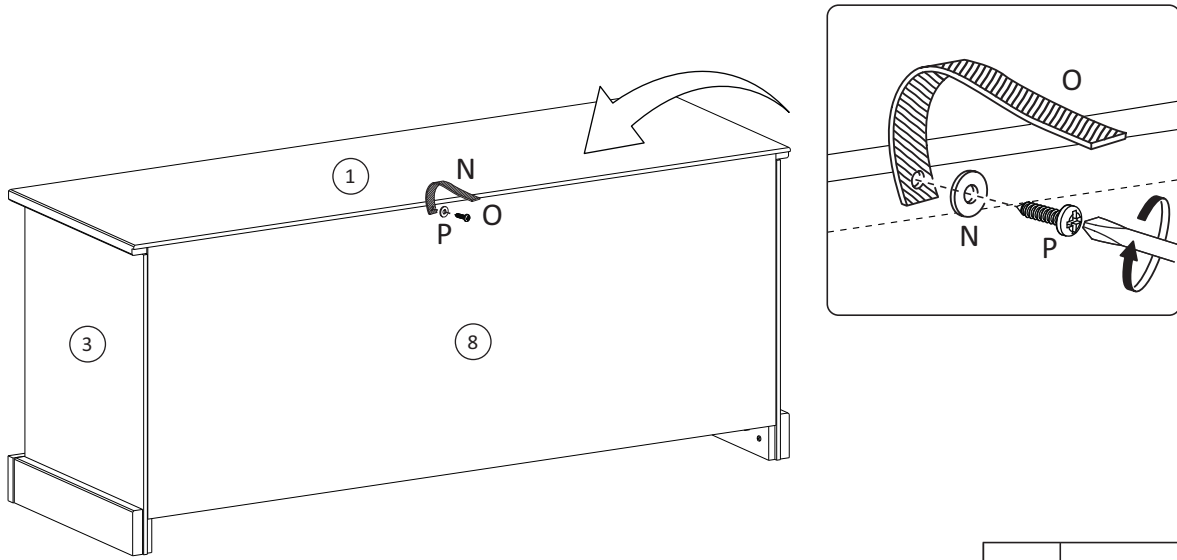
Fx8	
Lx4	

10



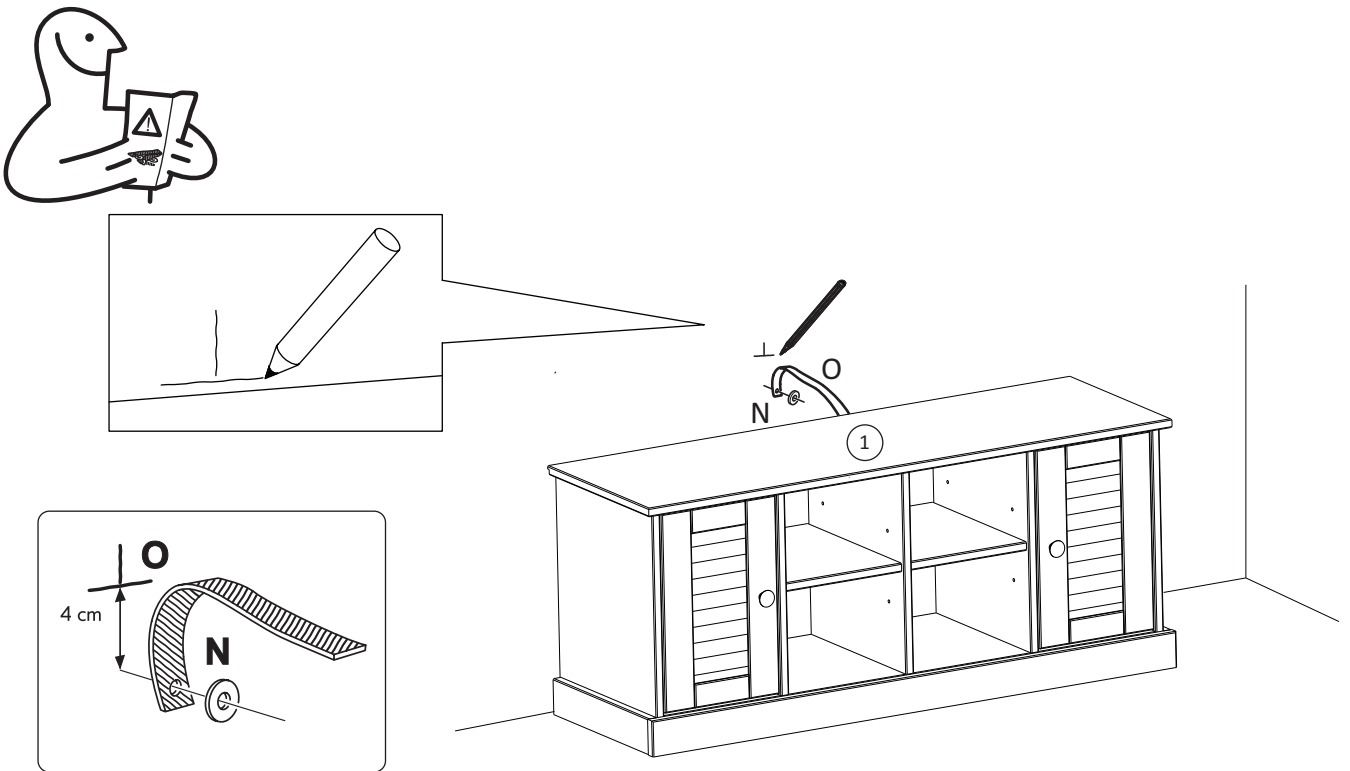
Ex2	
Kx2	

11



Nx1	
Ox1	
Px1	

12



Nx1	
-----	--