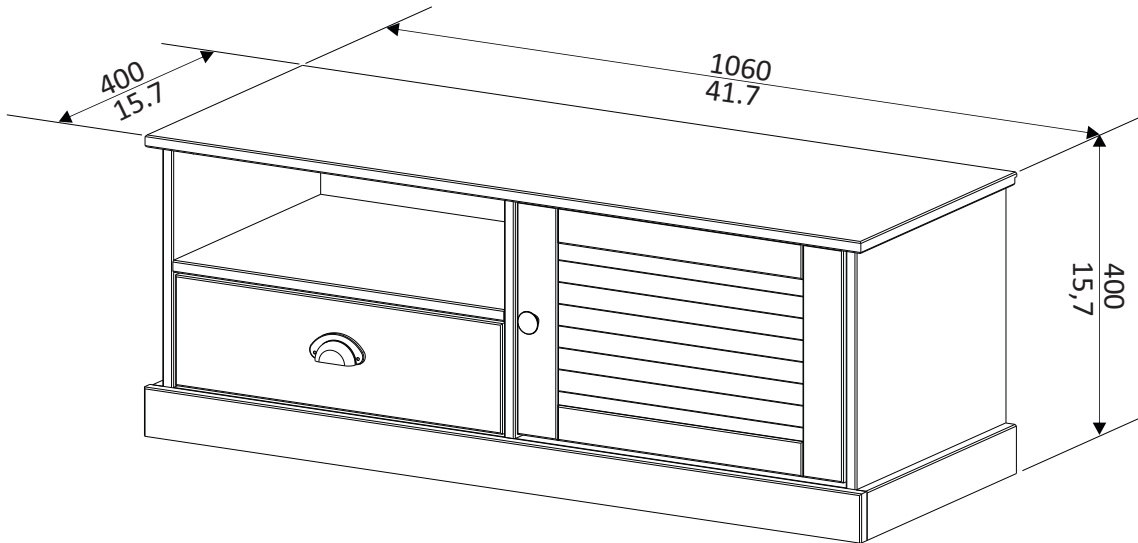
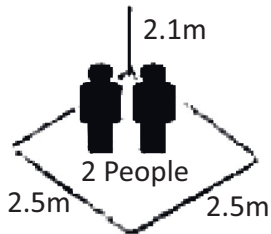


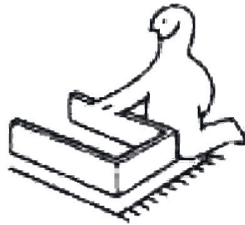
mm  
inch



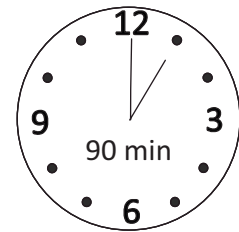
1



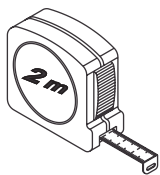
2



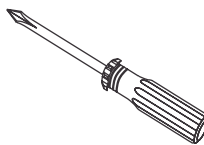
3



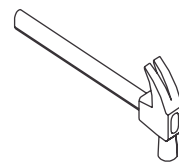
1

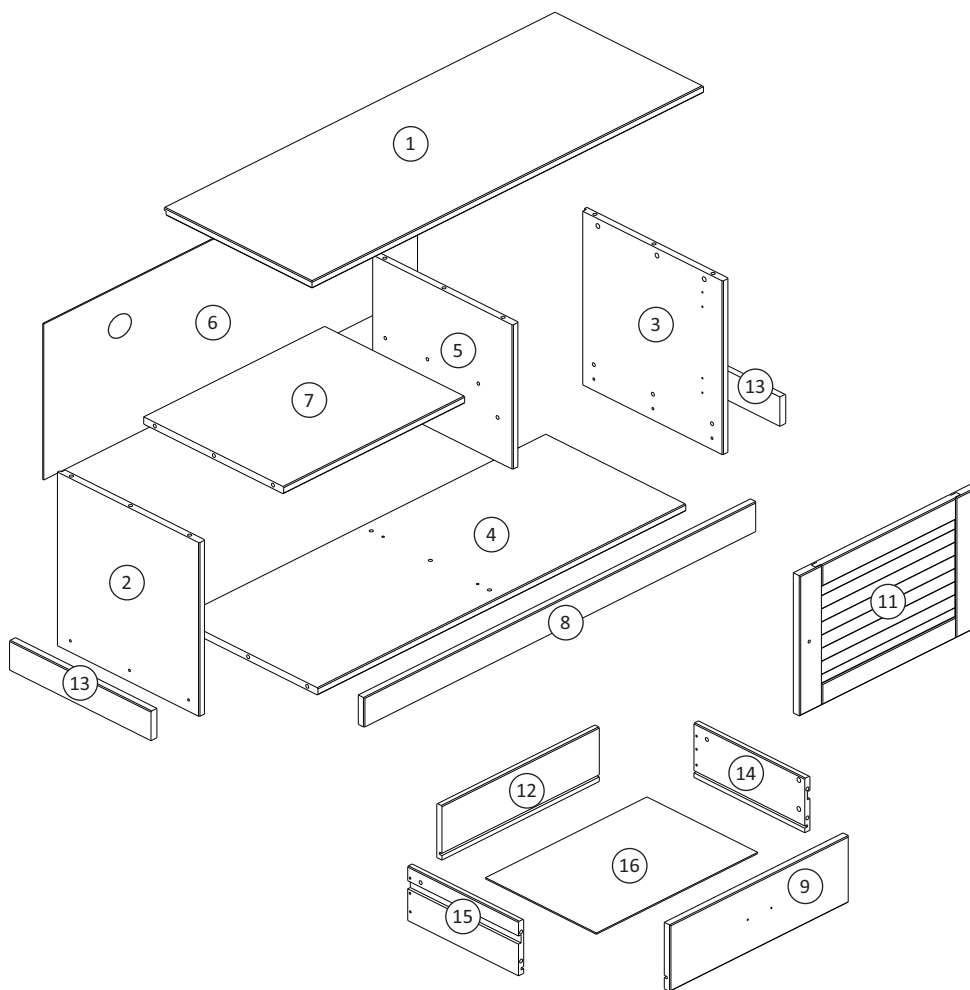



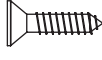

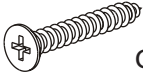

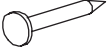
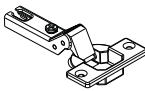
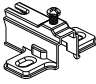

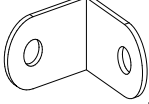
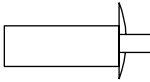
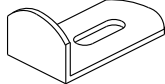

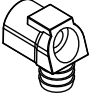

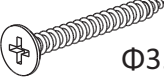




2



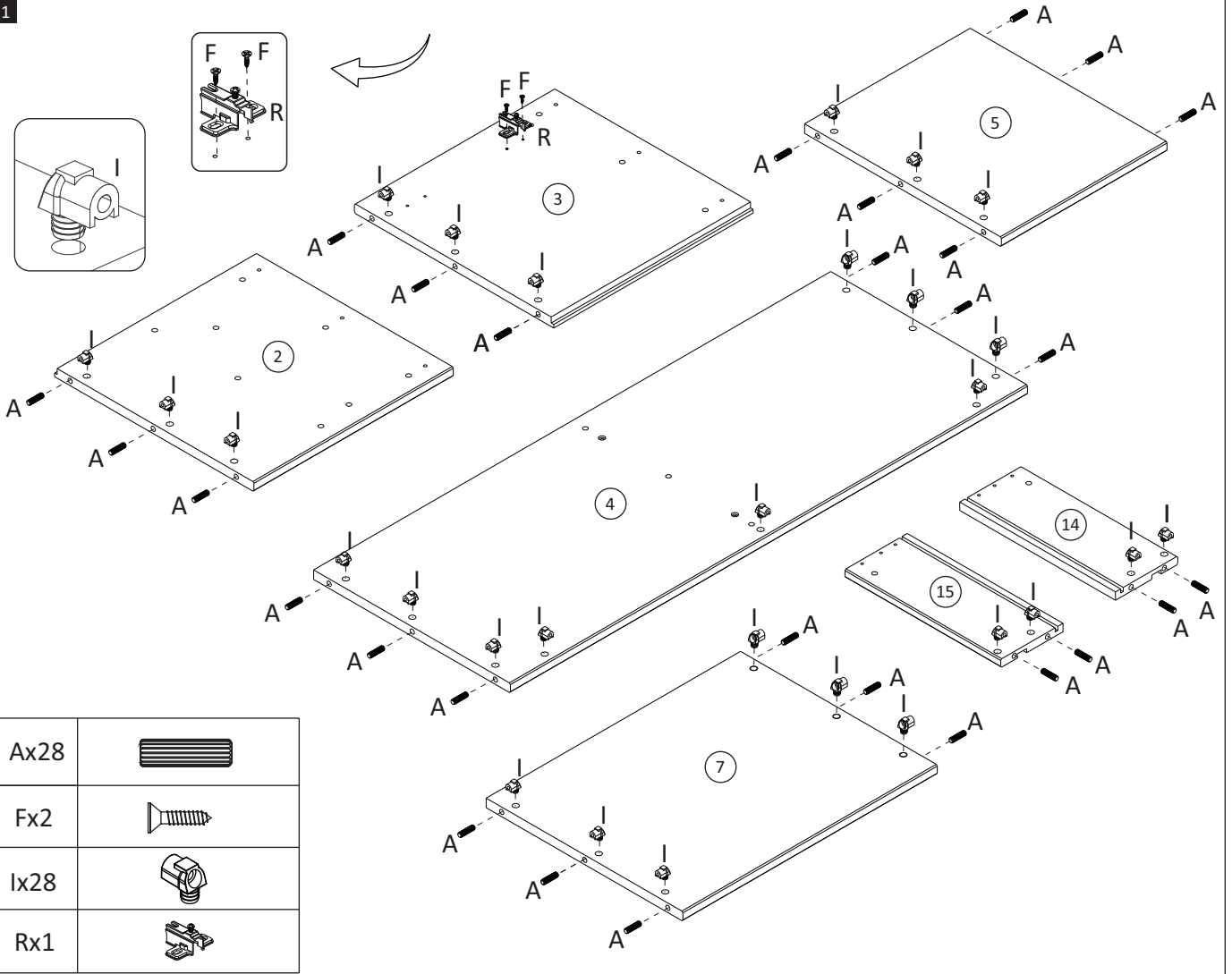
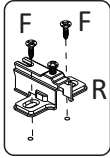
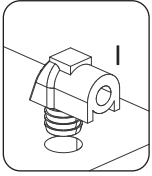
3





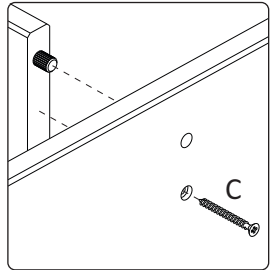
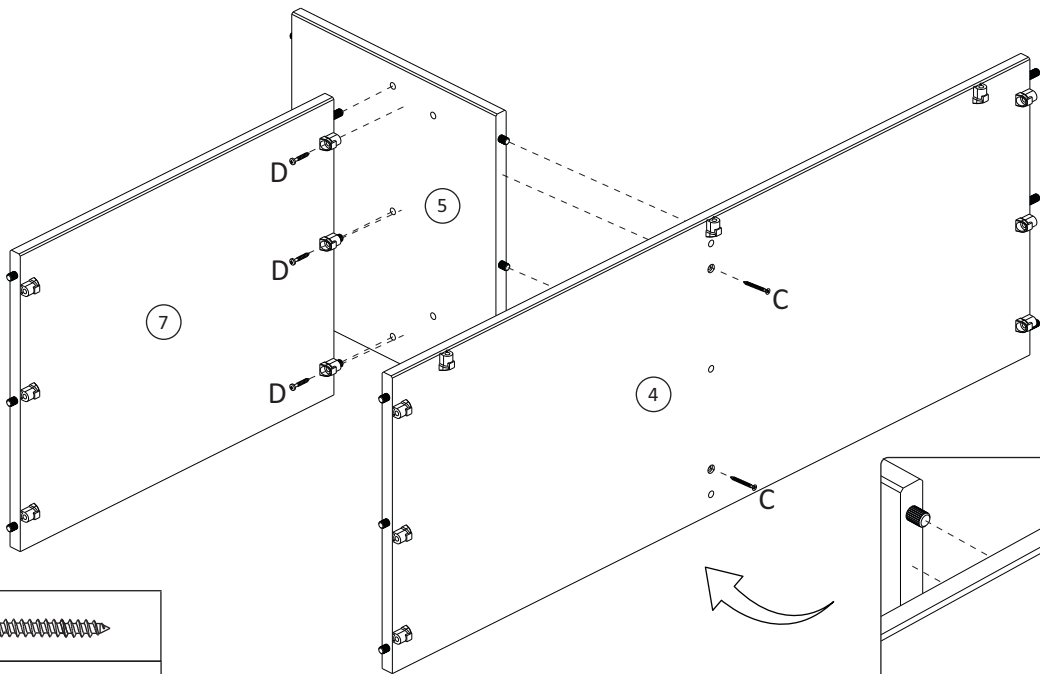
<b>Ax28</b>  $\Phi 8 \times \frac{25}{1.0}$	<b>Fx19</b>  $3.5 \times \frac{14}{0.6}$	<b>Kx1</b> 	<b>Px1</b>  $\Phi 3.5 \times \frac{22}{0.6}$
<b>Bx2</b> 	<b>Gx22</b>  $\frac{10 \times 10}{0.3 \times 0.3}$	<b>Lx2</b> 	<b>Rx2</b> 
<b>Cx2</b>  $4.0 \times \frac{40}{1.6}$	<b>Hx2</b>  $18 \times 18 \text{ mm}$	<b>Tx2</b> 	<b>Sx1</b> 
<b>Dx34</b>  $3.5 \times \frac{25}{0.99}$	<b>Ix30</b> 	<b>Nx2</b> 	<b>Tx4</b>  $\Phi 3.0 \times \frac{30}{0.6}$
<b>Ex1</b>  $\Phi M4 \times \frac{22}{0.8}$	<b>Jx1</b> 	<b>Ox1</b> 	<b>Ux2</b>  $3.5 \times \frac{16}{0.6}$

1



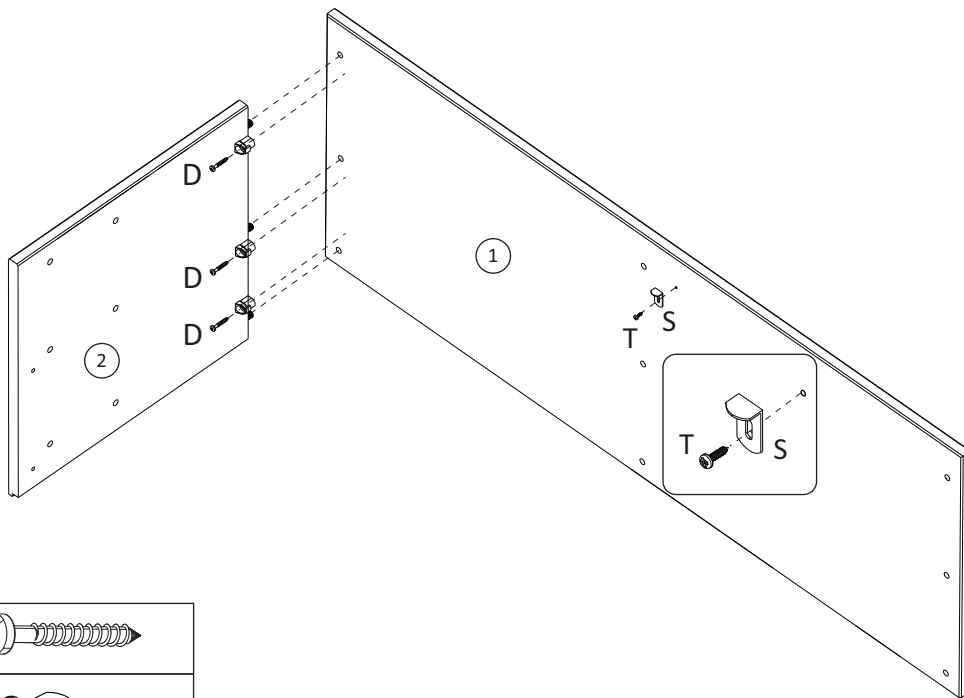
Ax28	
Fx2	
Ix28	
Rx1	

2



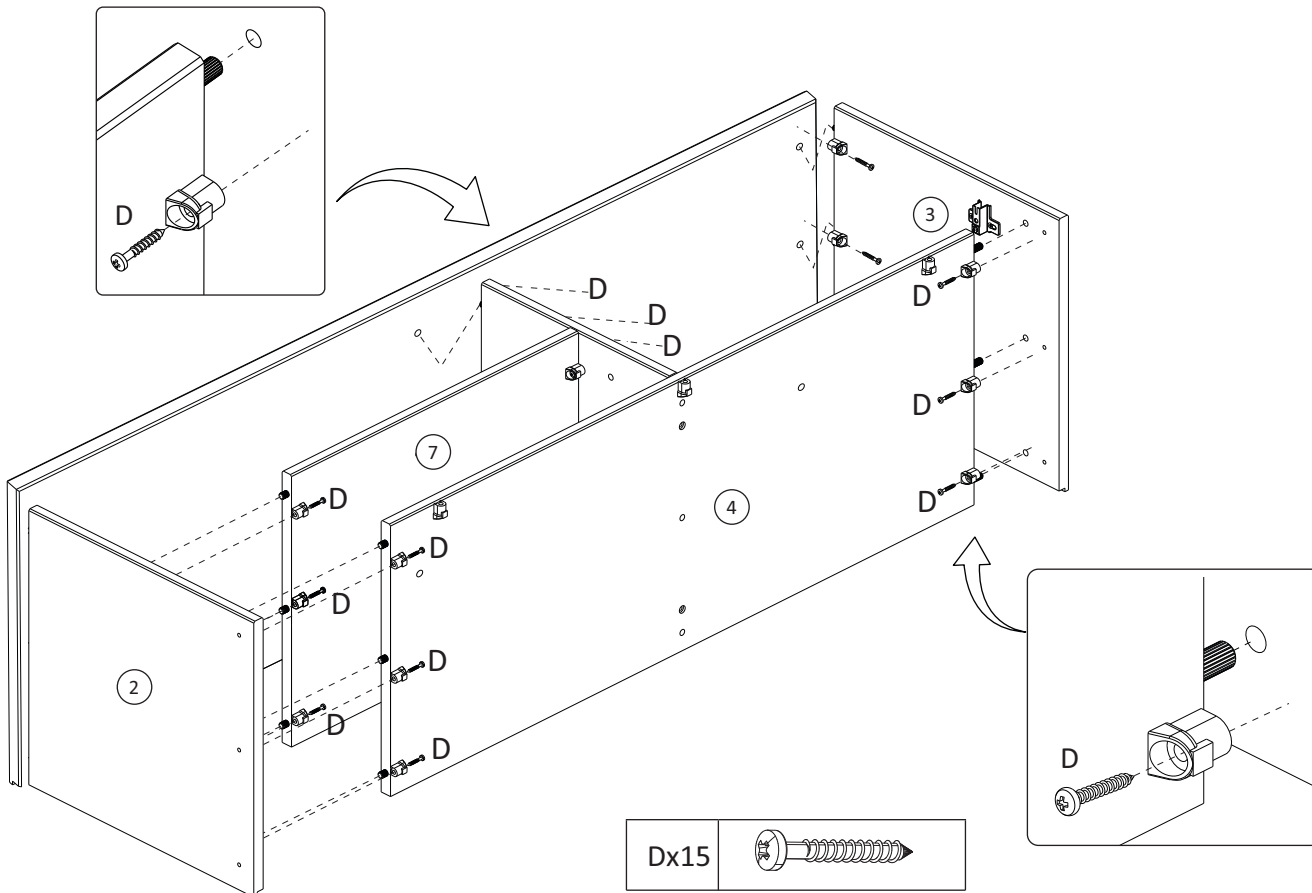
Cx2	
Dx3	

3



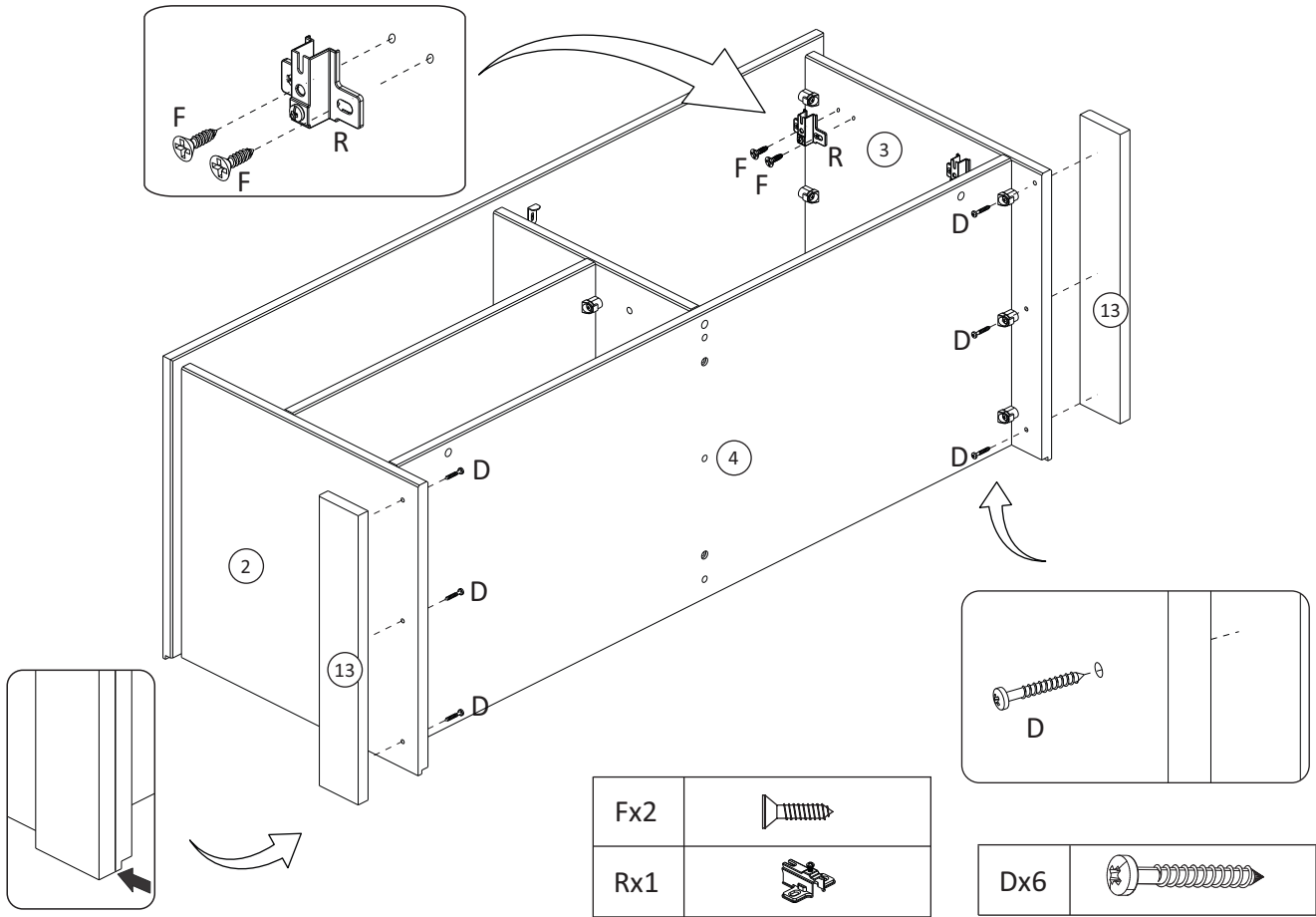
Dx3	
Sx1	
Fx1	

4

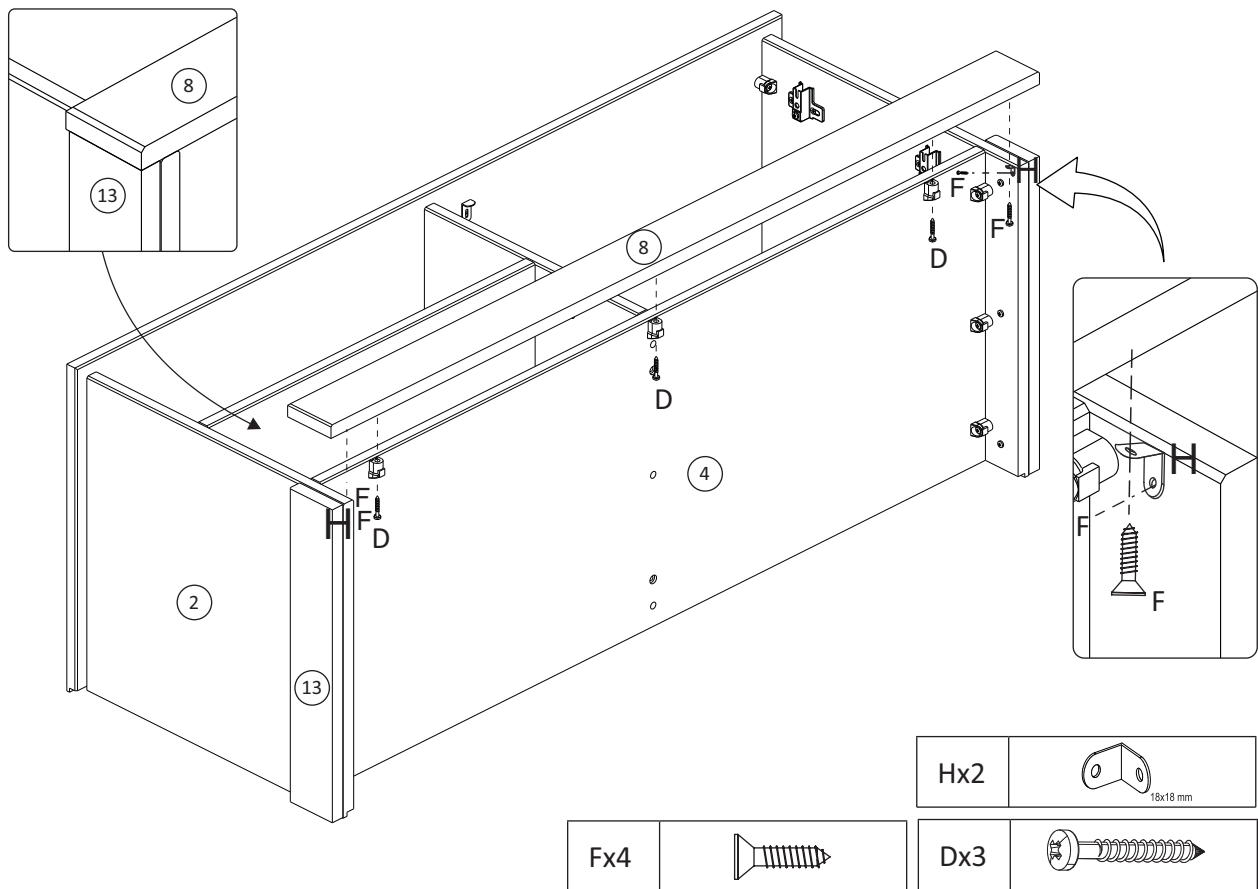


Dx15	
------	--

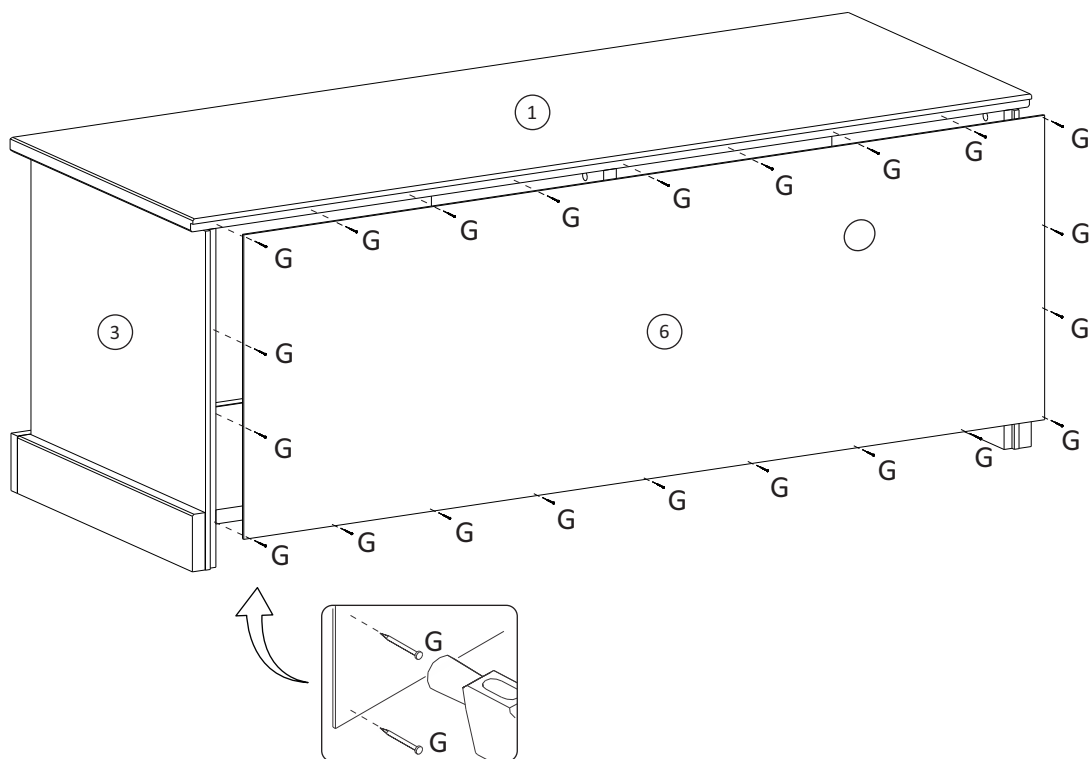
5



6



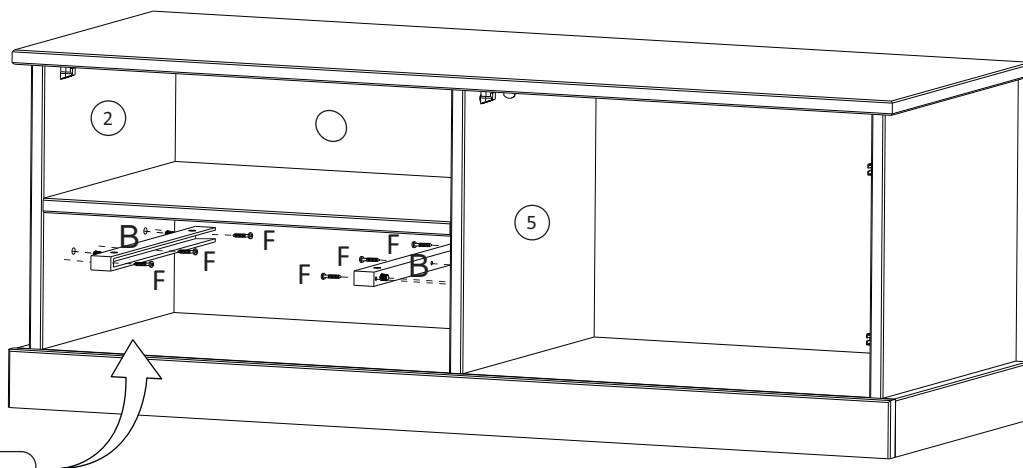
7



Gx22



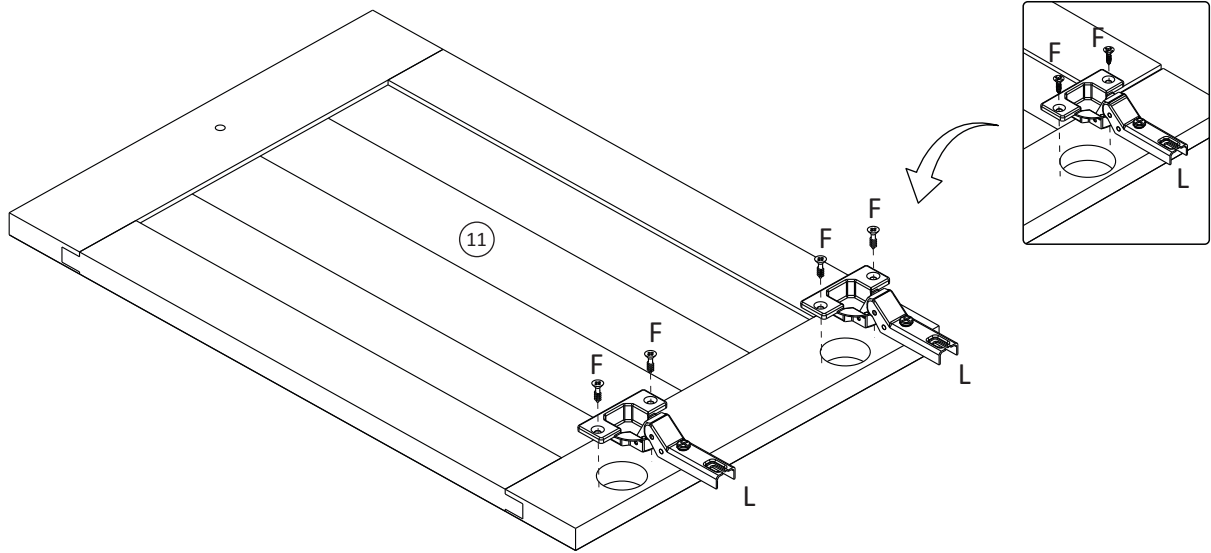
8

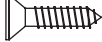



Fx6

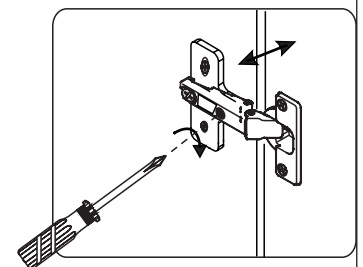
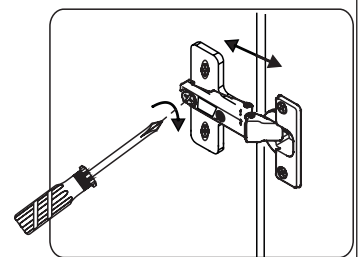
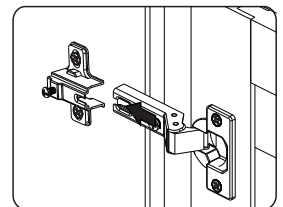
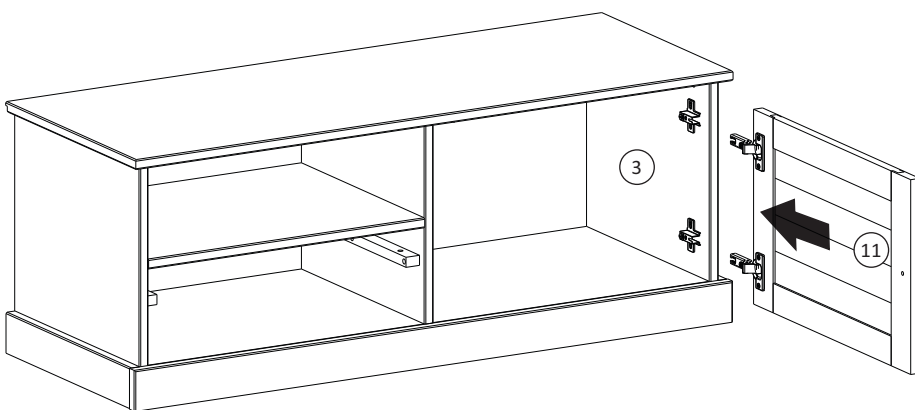


9

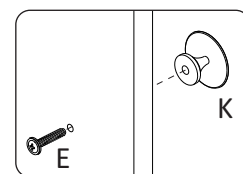
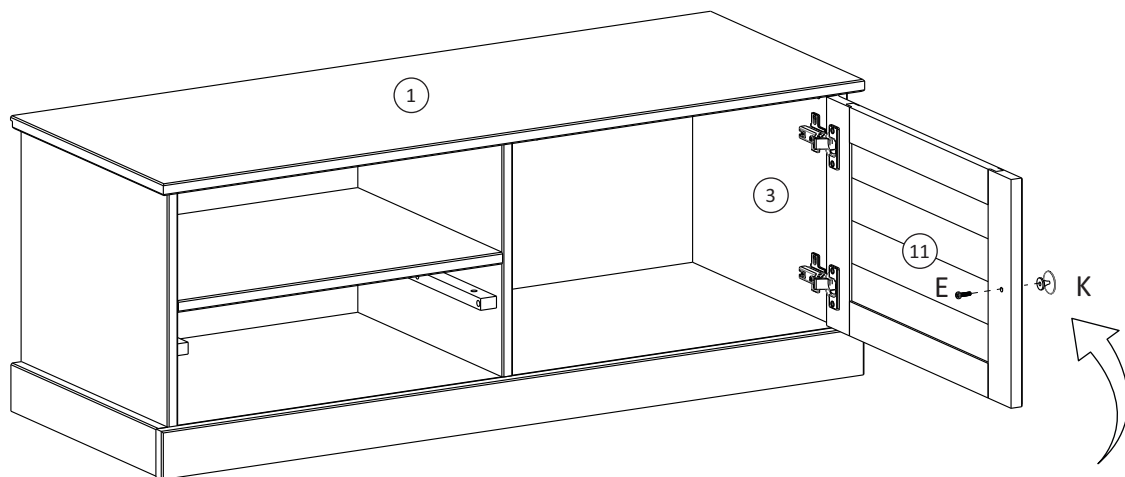




Fx4	
Lx2	

10

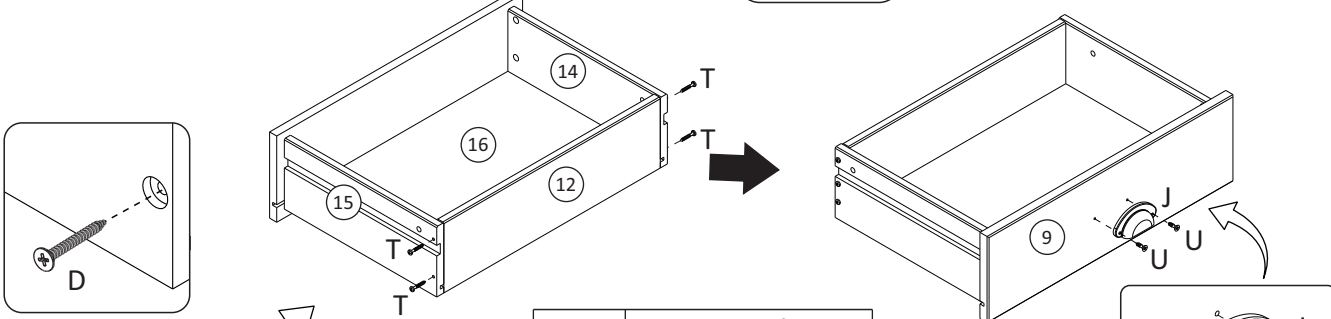
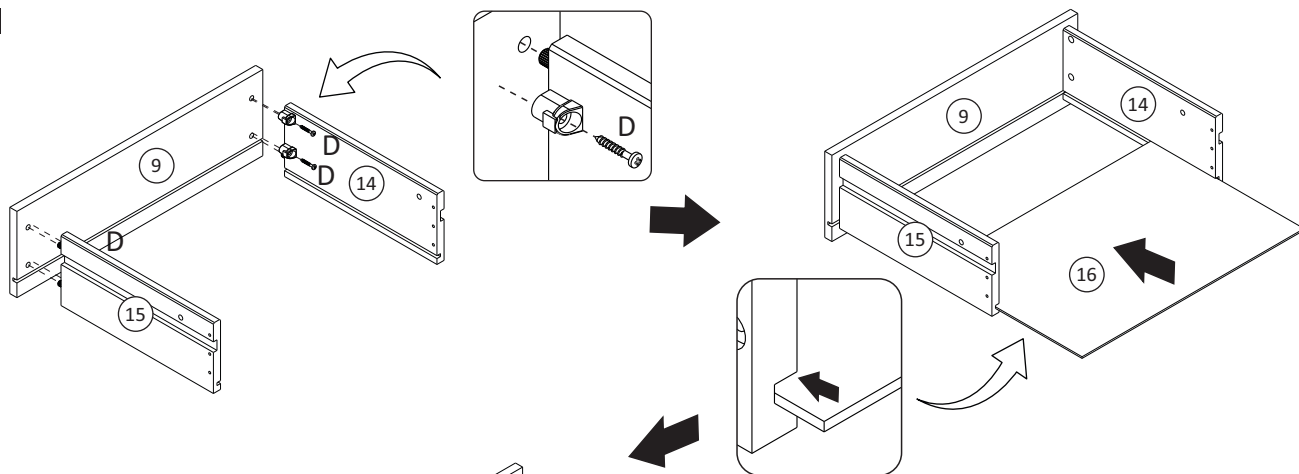






11

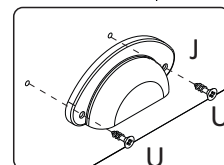


Ex1	
Kx1	

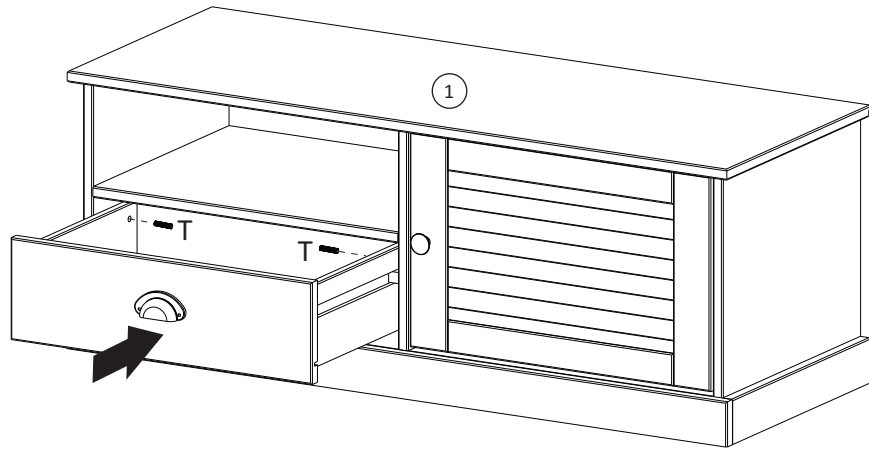
12



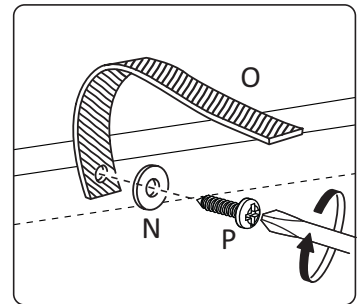
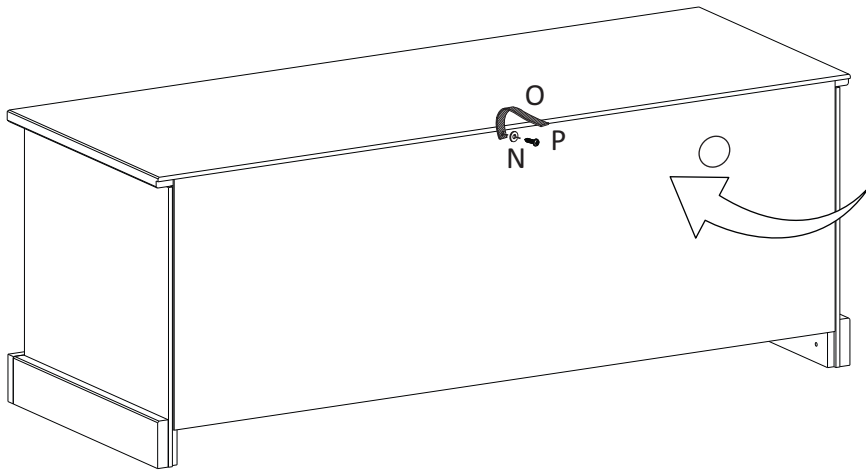
	Tx4			
Dx4		Ux2		Jx1
				



13

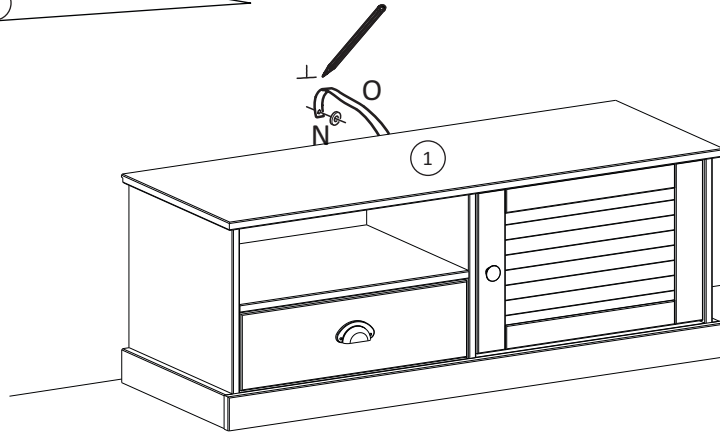
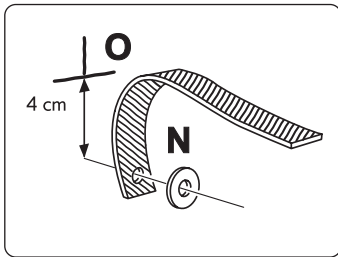
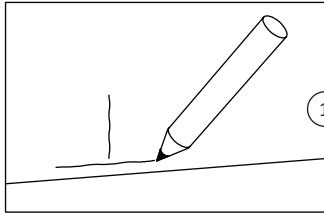



14



Nx1	
Ox1	
Px1	

15



Nx1	
-----	---

16