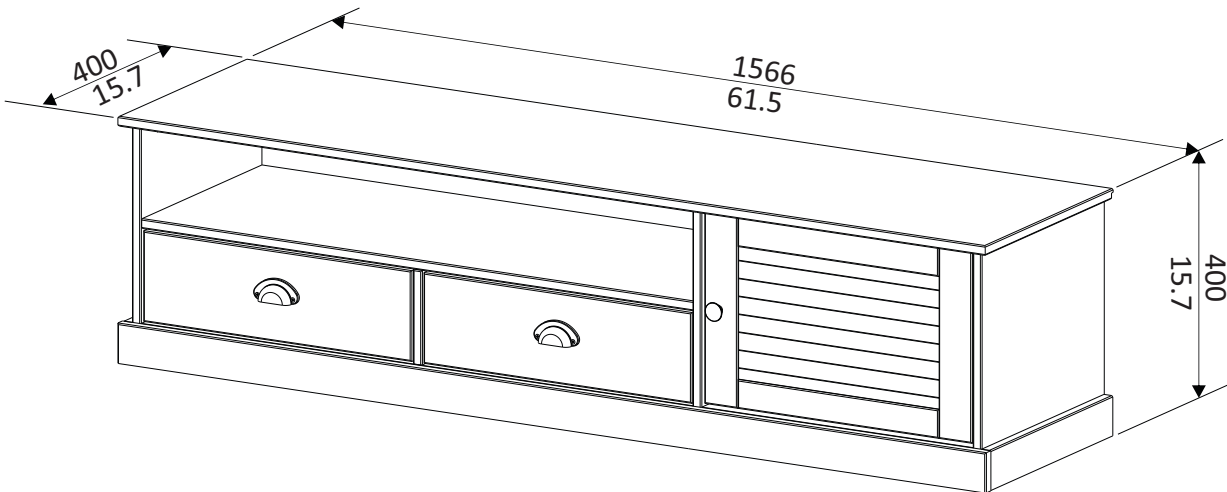
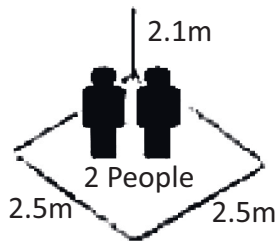


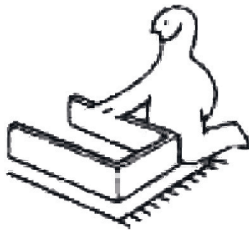
mm
inch



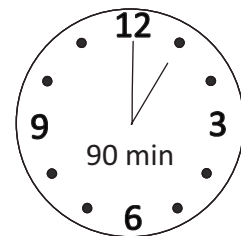
1



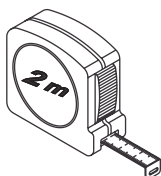
2



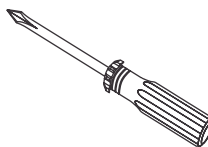
3



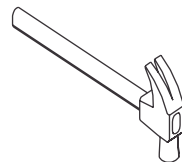
1

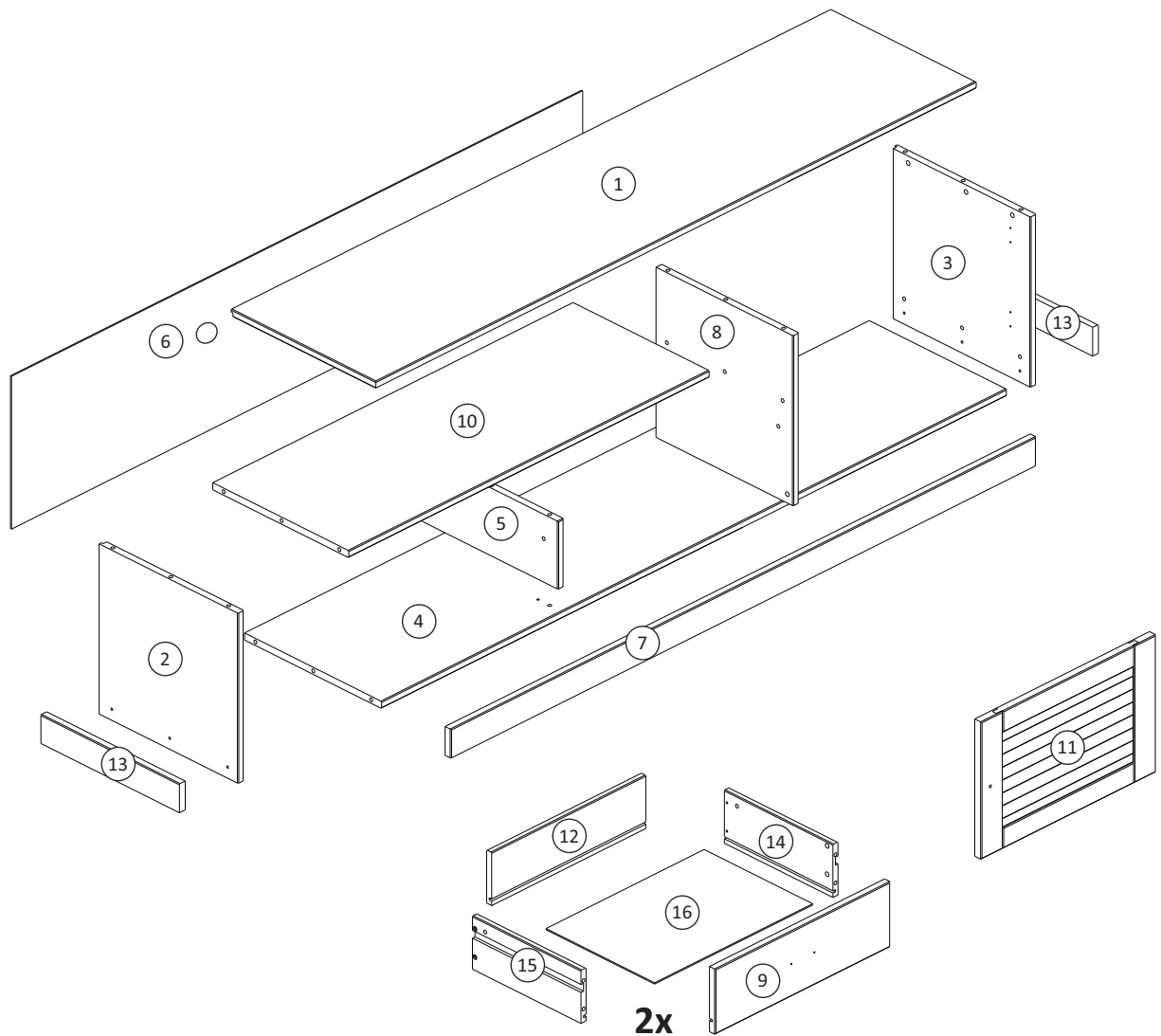



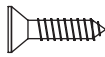

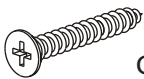
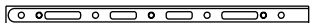
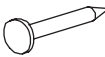
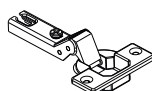
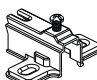

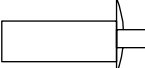

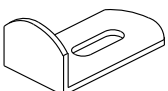

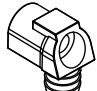

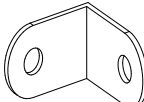



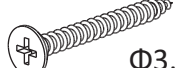
2



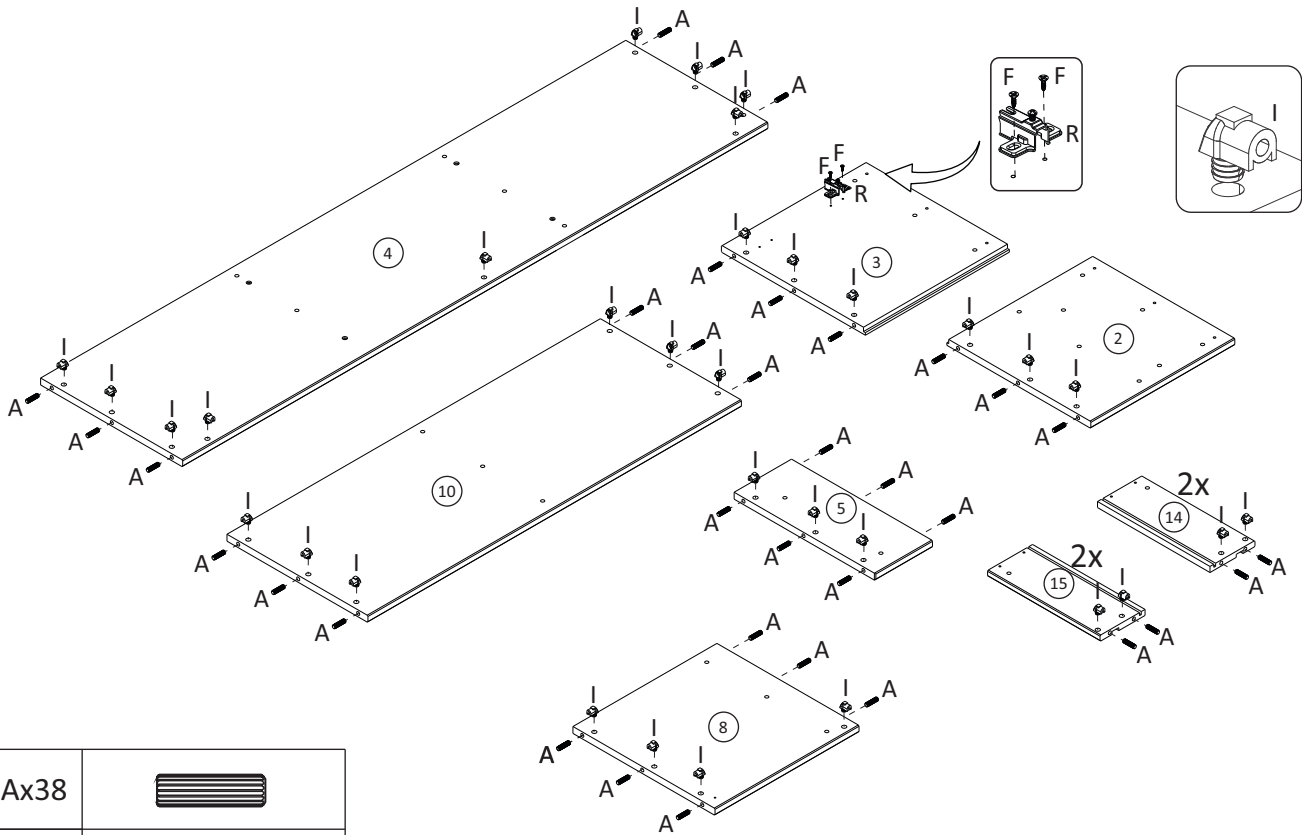
3





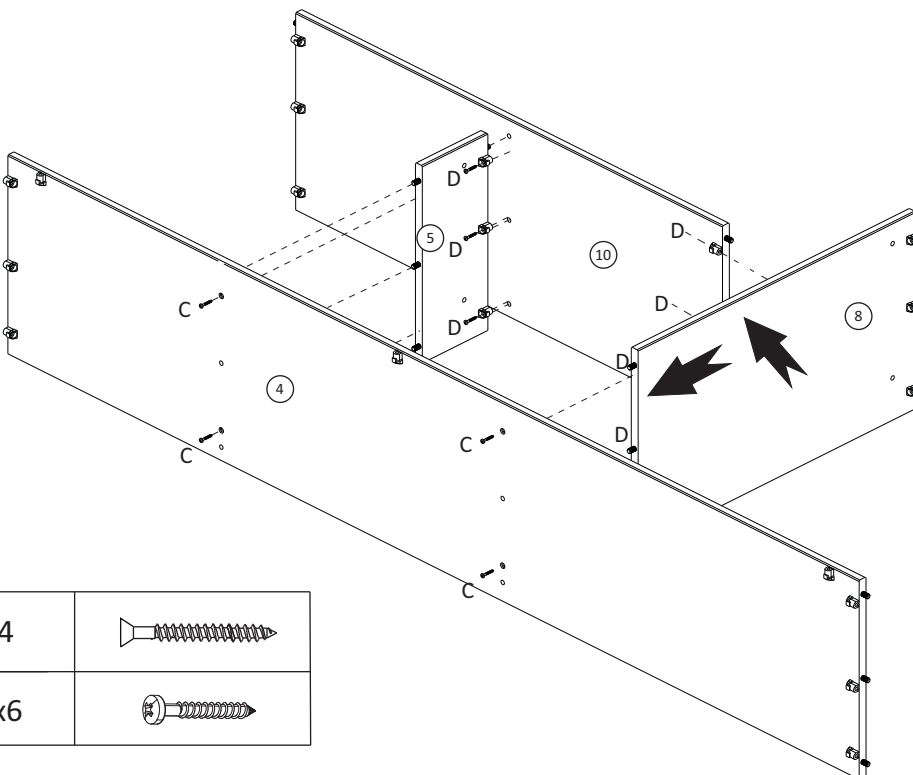
<p>Ax38</p>  <p>$\Phi 8 \times \frac{25}{1.0}$</p>	<p>Fx25</p>  <p>$3.5 \times \frac{14}{0.6}$</p>	<p>Kx1</p> 	<p>Px1</p>  <p>$\Phi 3.5 \times \frac{22}{0.6}$</p>
<p>Bx4</p> 	<p>Gx32</p>  <p>$\frac{10 \times 10}{0.3 \times 0.3}$</p>	<p>Lx2</p> 	<p>Rx2</p> 
<p>Cx4</p>  <p>$4.0 \times \frac{40}{1.6}$</p>	<p>Hx4</p> 	<p>Mx4</p>  <p>$3.5 \times \frac{16}{0.6}$</p>	<p>Sx1</p> 
<p>Dx41</p>  <p>$3.5 \times \frac{25}{0.99}$</p>	<p>Ix35</p> 	<p>Nx2</p> 	<p>Tx2</p>  <p>18x18 mm</p>
<p>Ex1</p>  <p>$\Phi M4 \times \frac{22}{0.8}$</p>	<p>Jx2</p> 	<p>Ox1</p> 	<p>Ux8</p>  <p>$\Phi 3.0 \times \frac{30}{0.6}$</p>

1



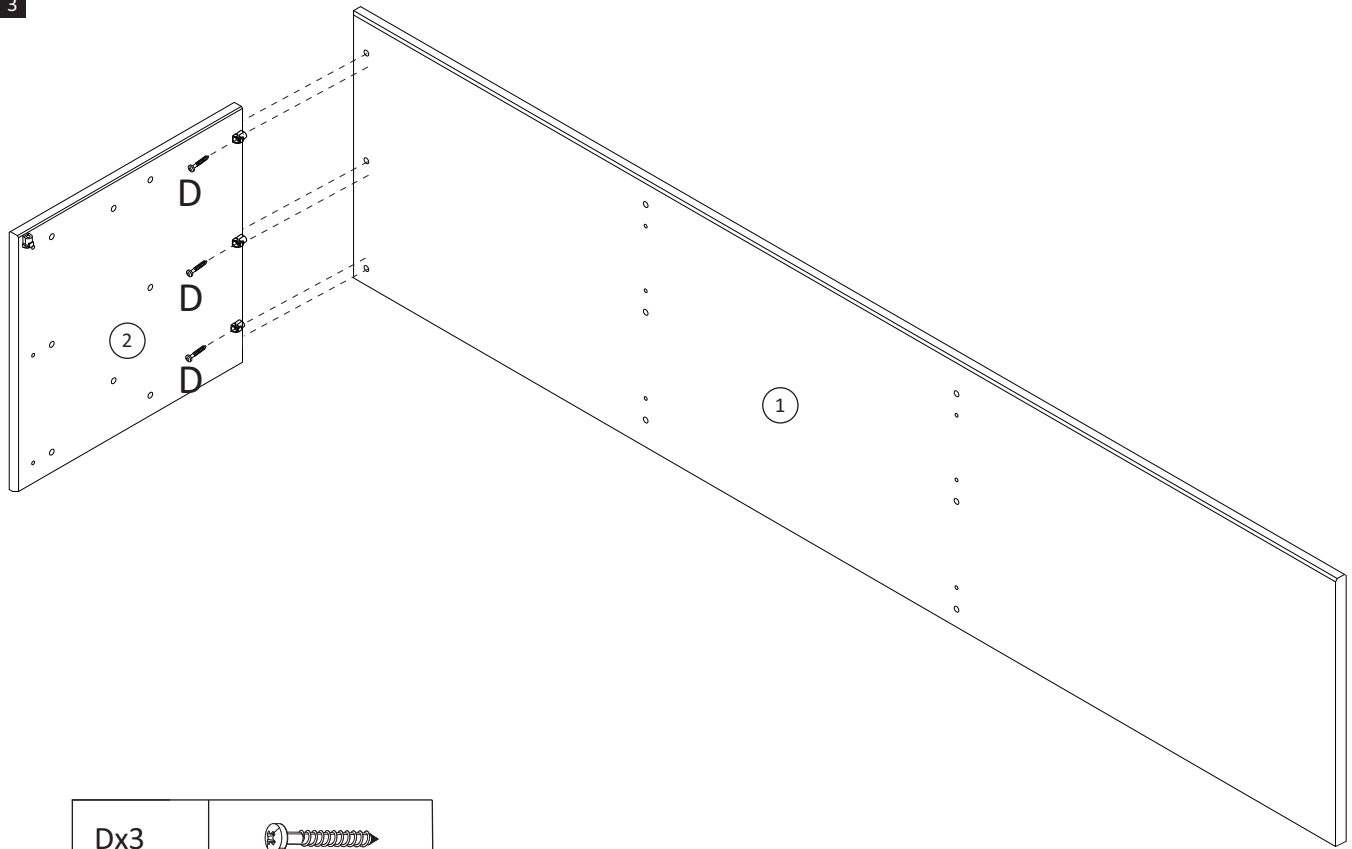
Ax38	
Fx2	
Ix35	
Rx1	

2

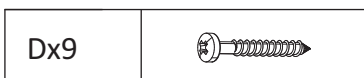
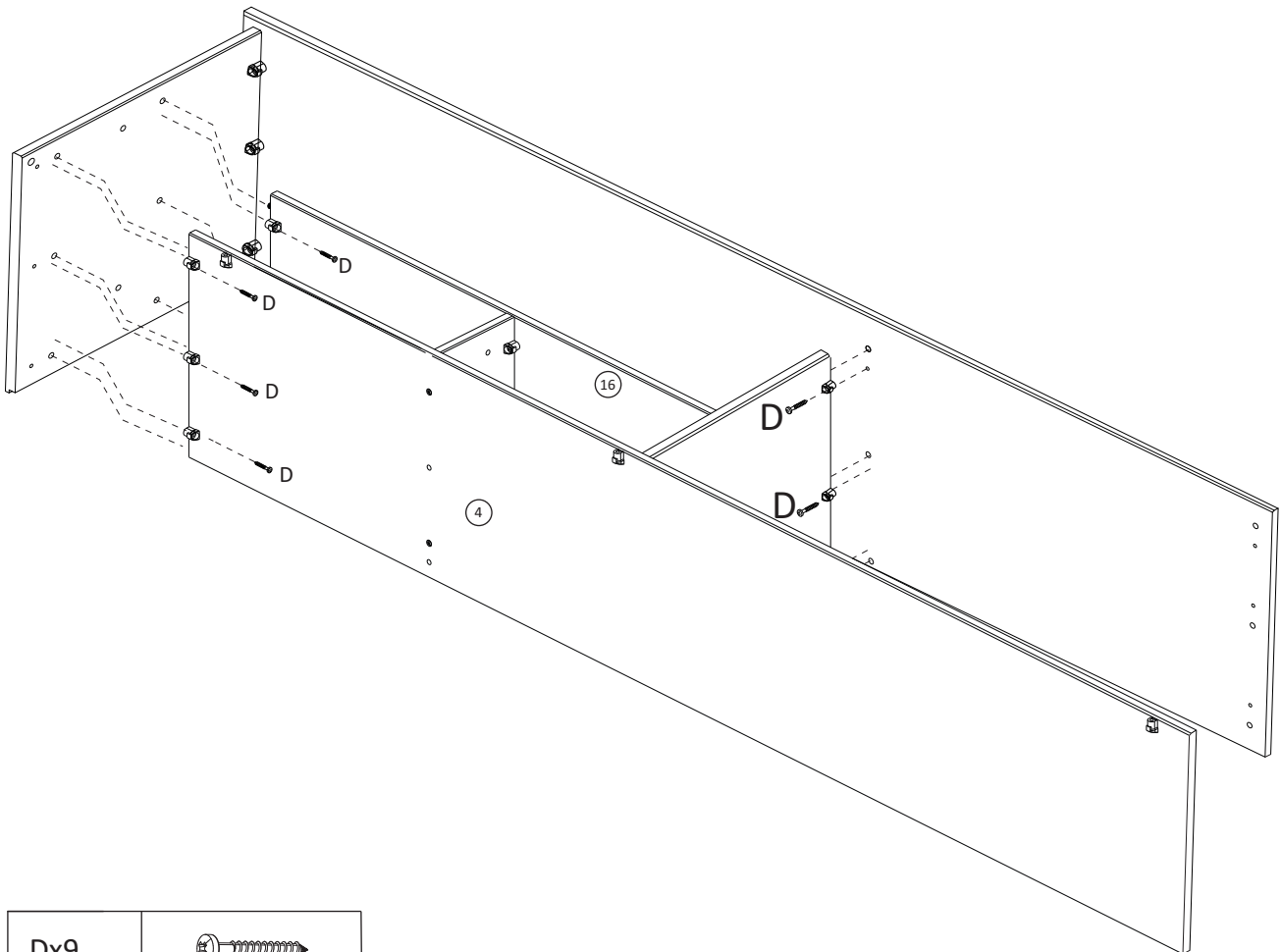


Cx4	
Dx6	

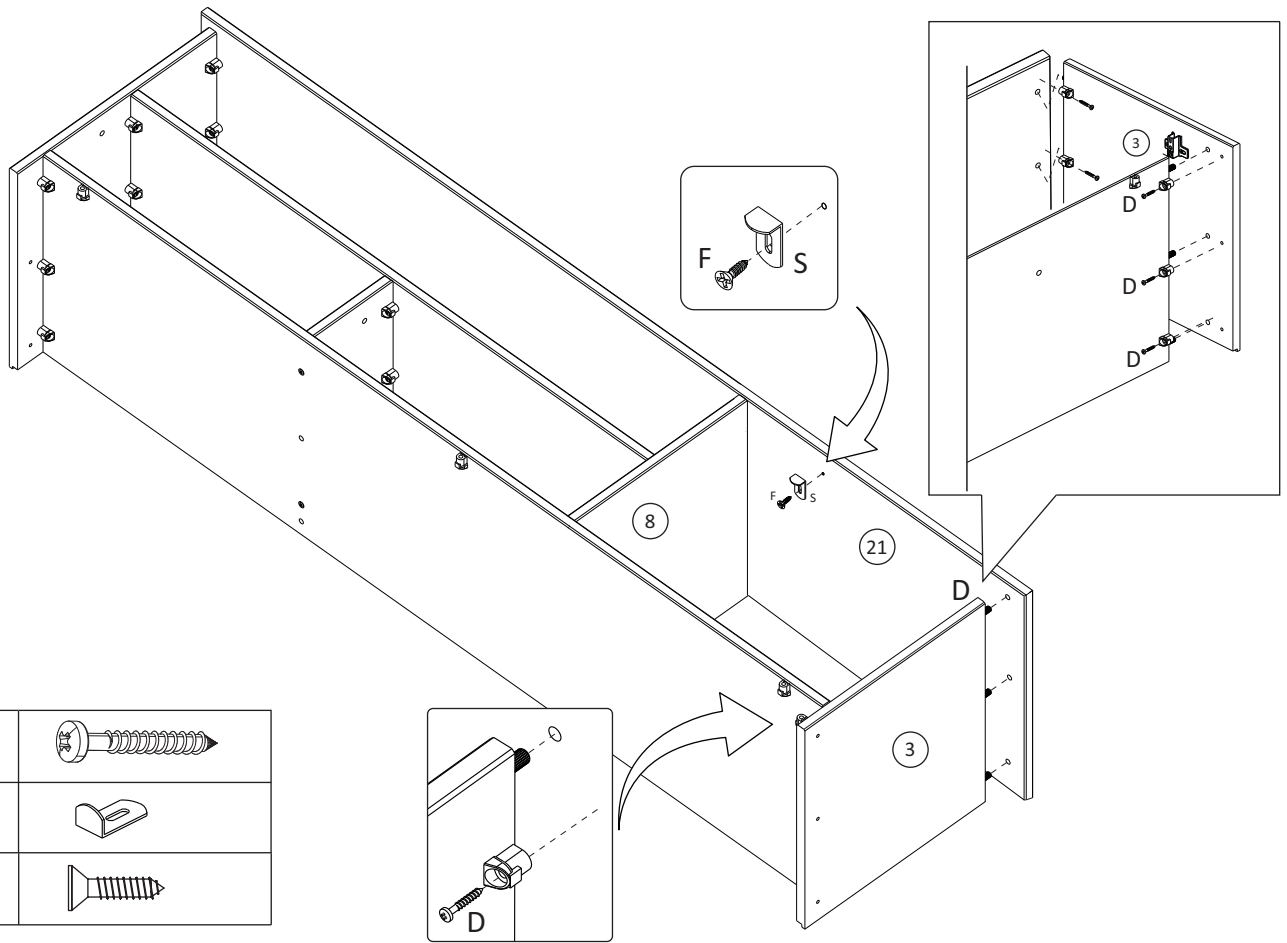
3



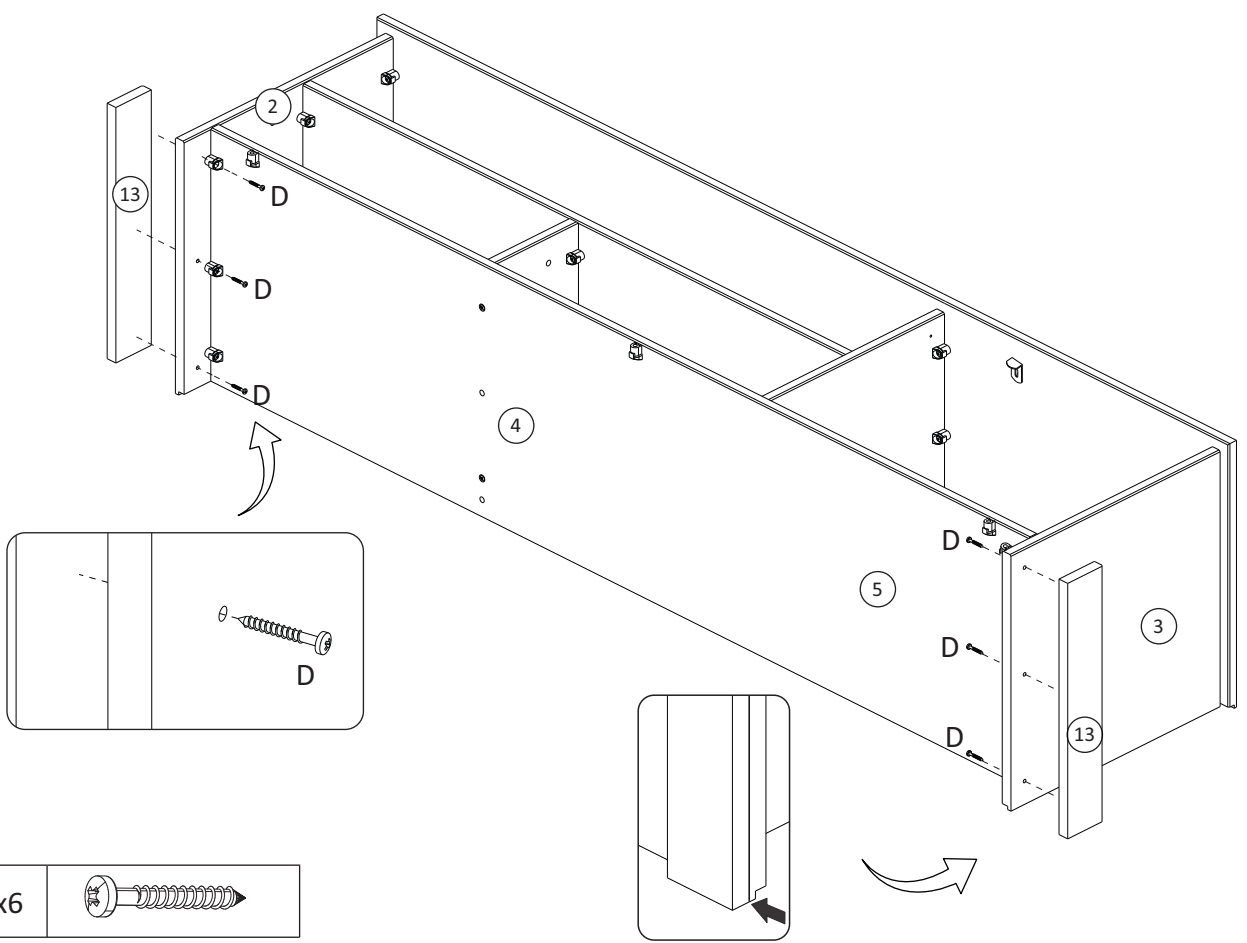
4



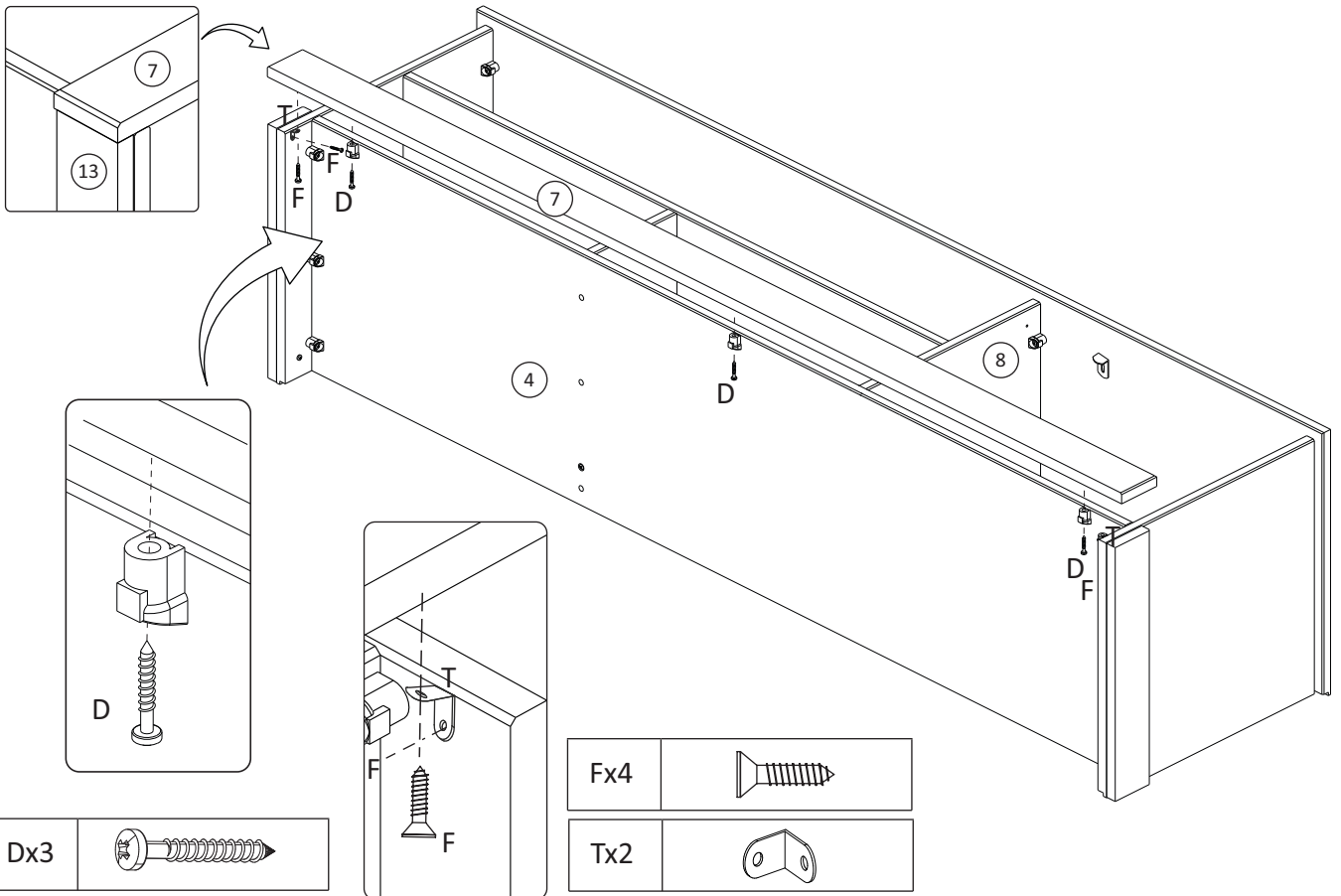
5



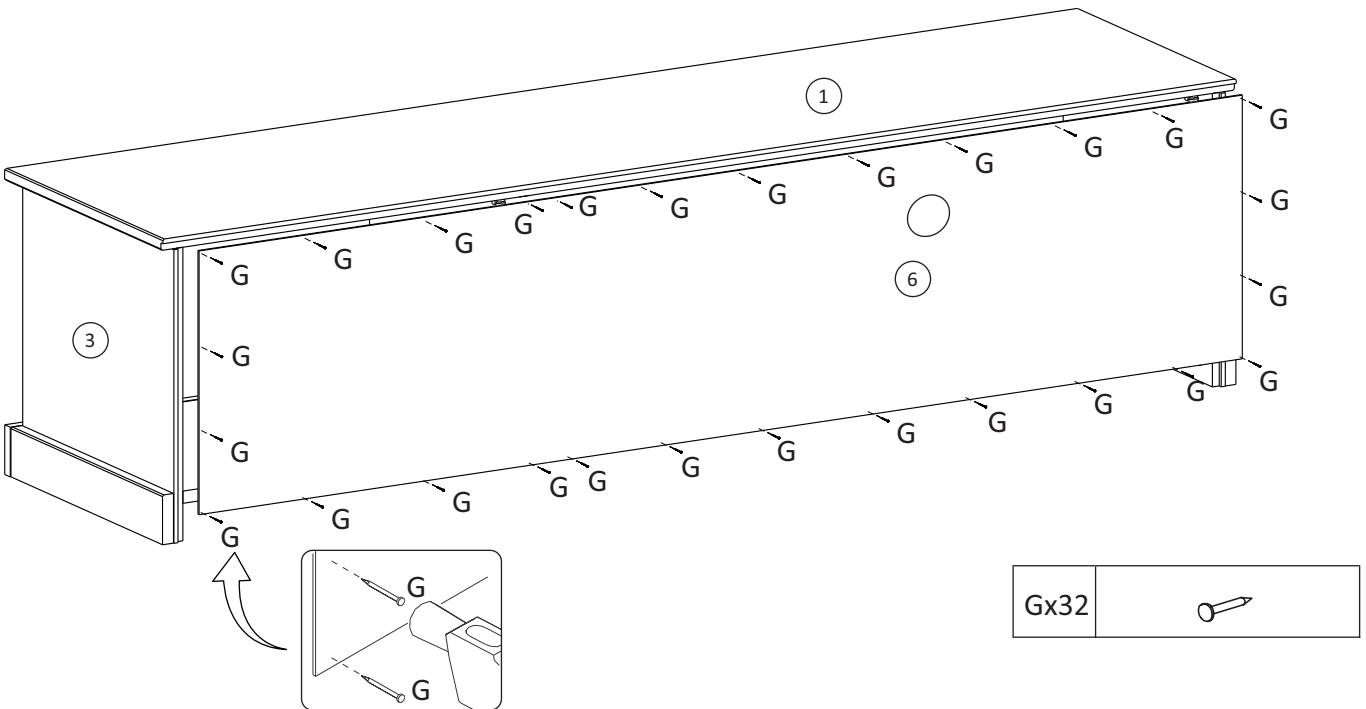
6



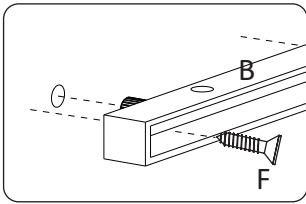
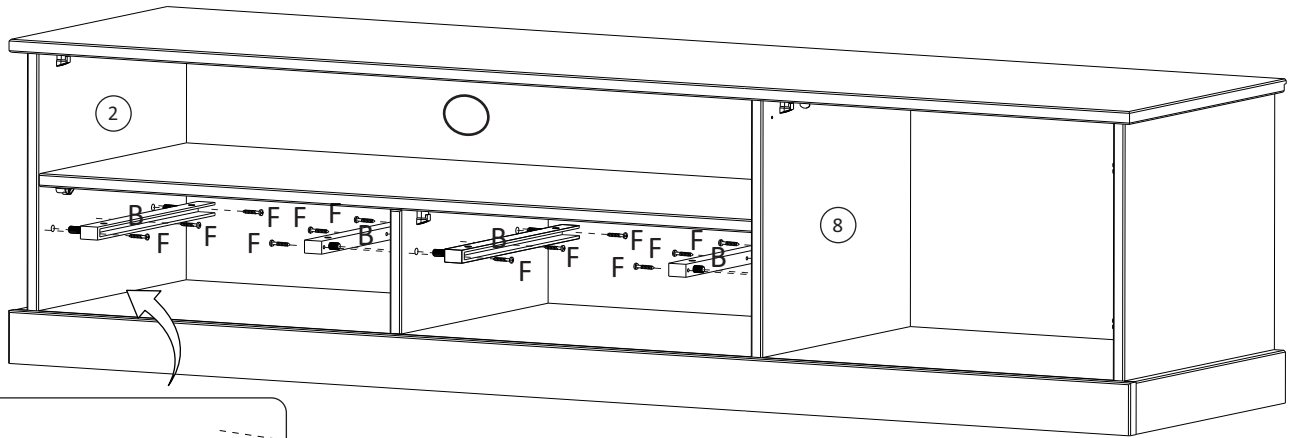
7



8

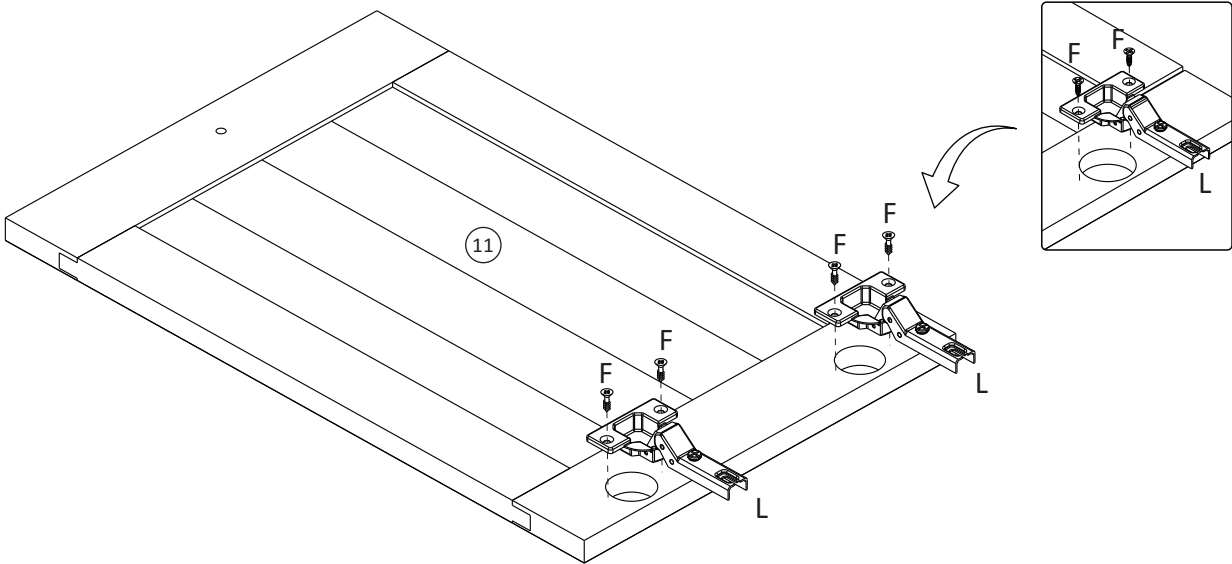




9





Fx12		Bx4	
------	--	-----	--

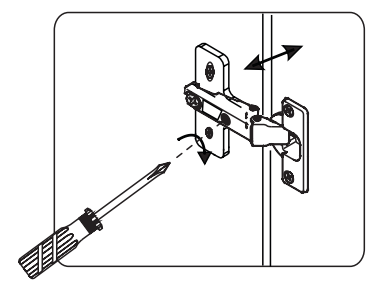
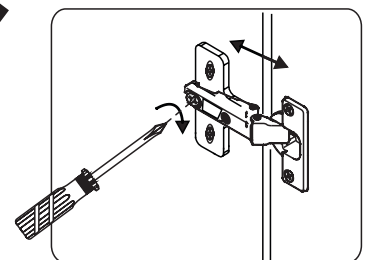
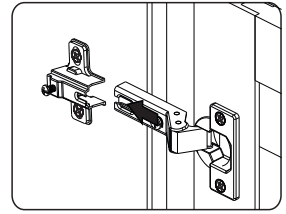
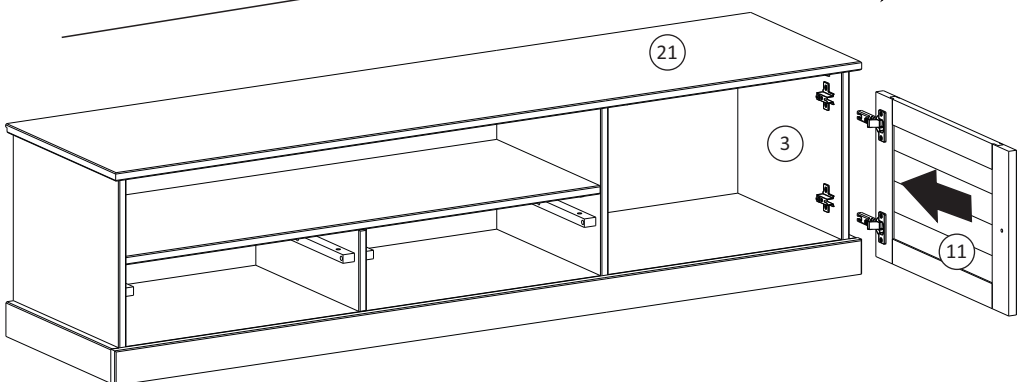
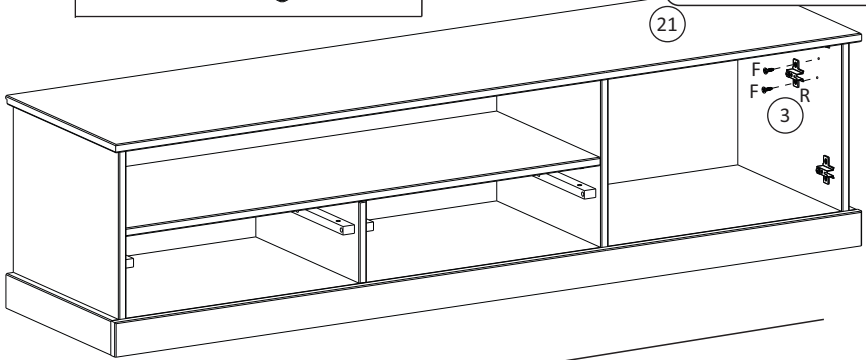
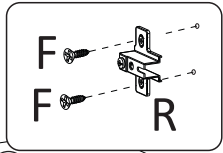
10



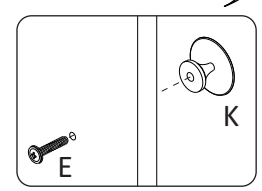
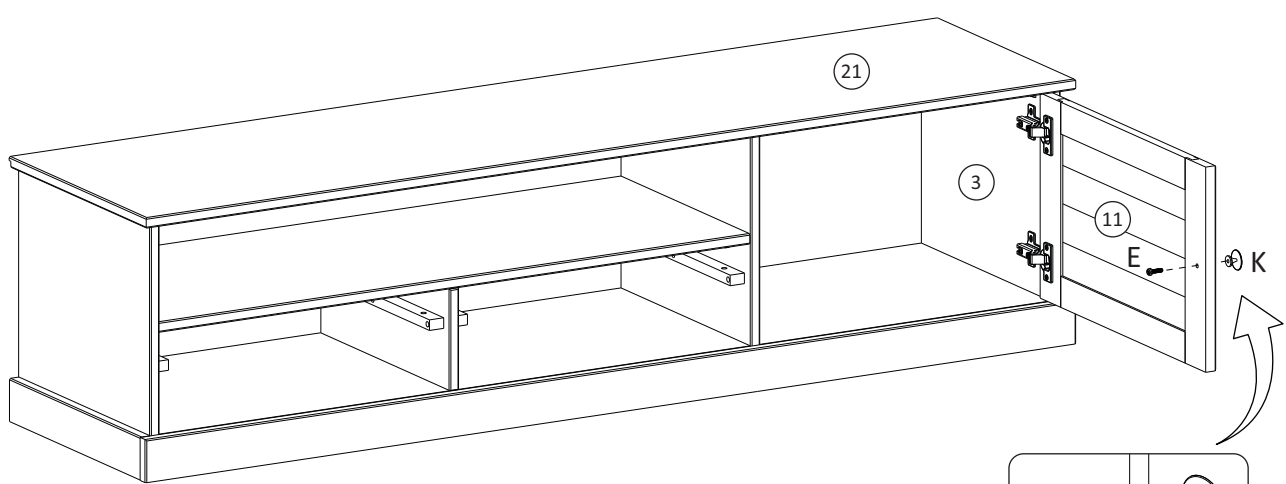
Fx4	
Lx2	



11

Fx2	
Rx1	

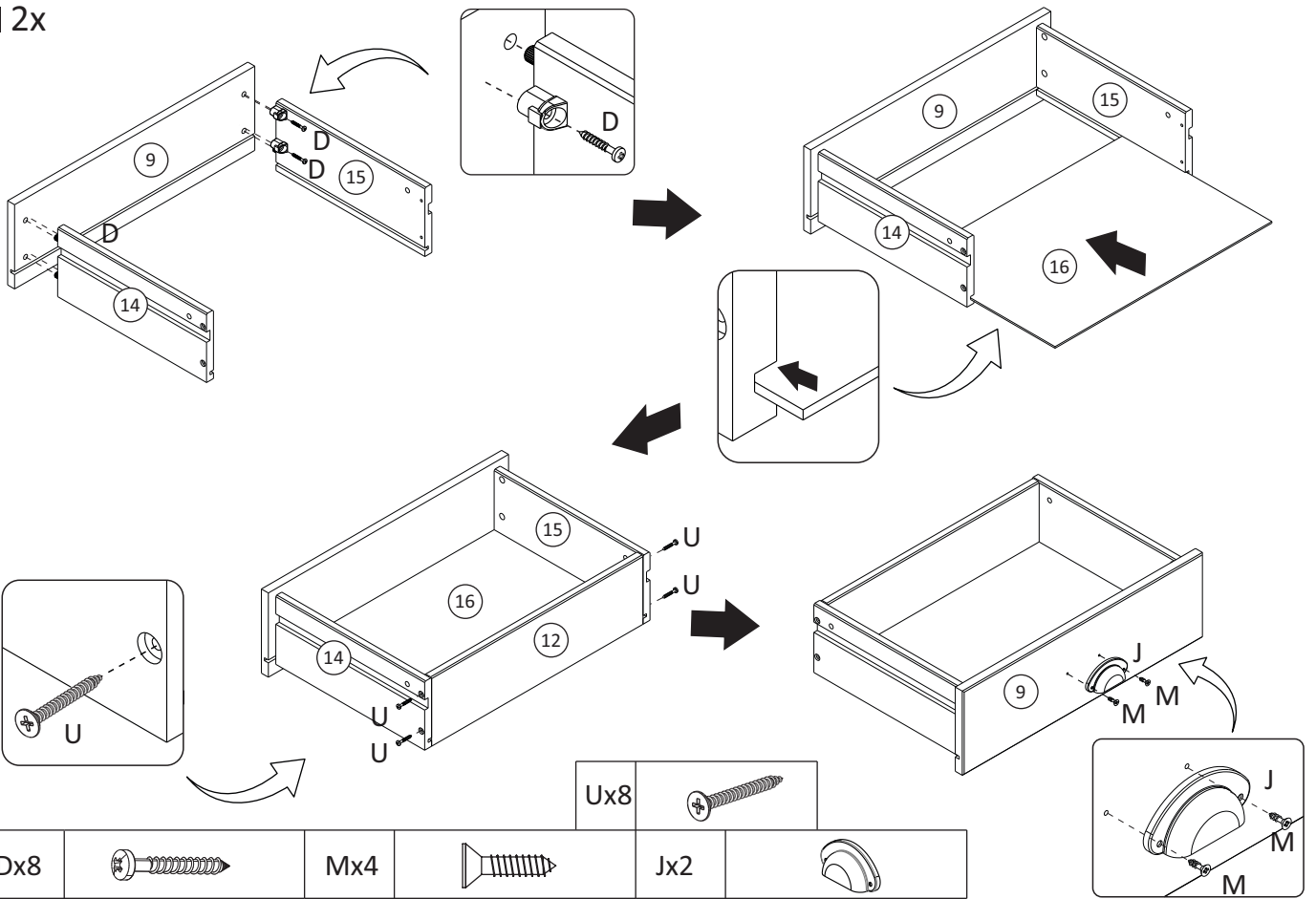


12

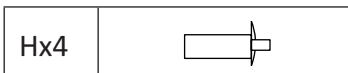
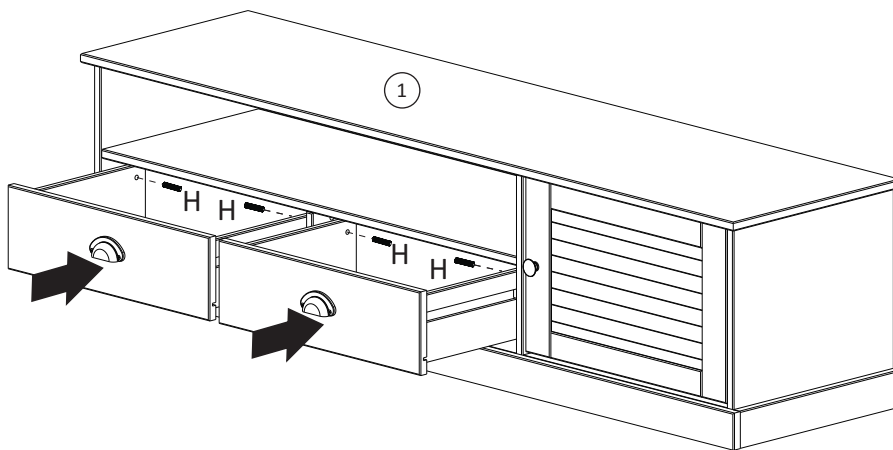


Ex1	
Kx1	

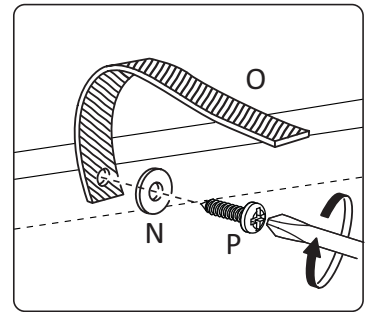
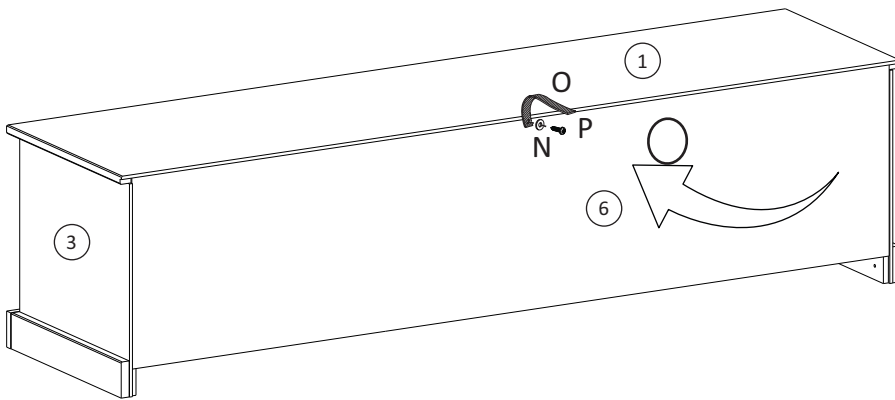
13 2x






14

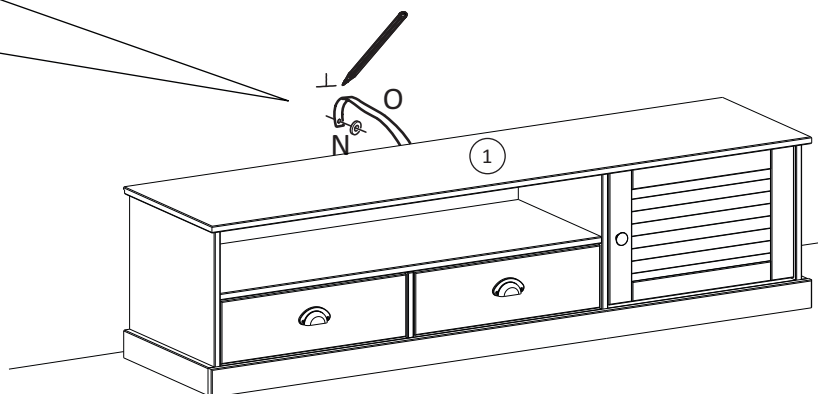
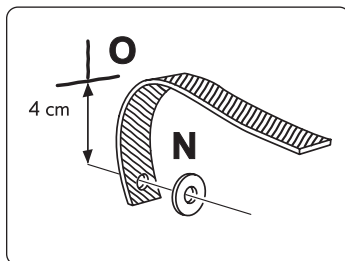
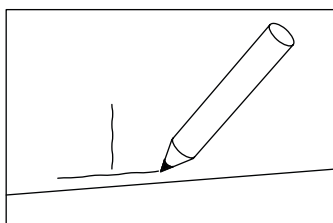
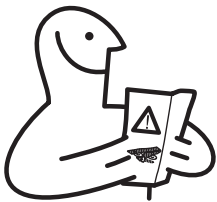



15



Nx1	
Ox1	
Px1	

16



Nx1	
-----	---