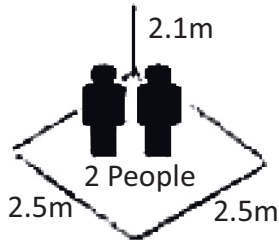
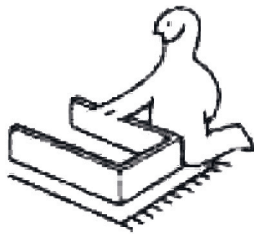


mm
inch

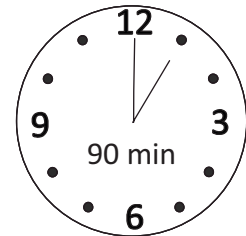
1



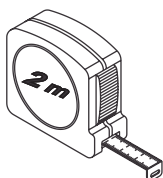
2



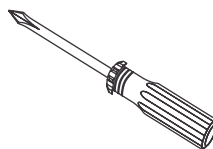
3



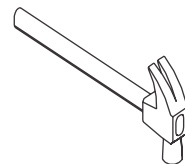
1

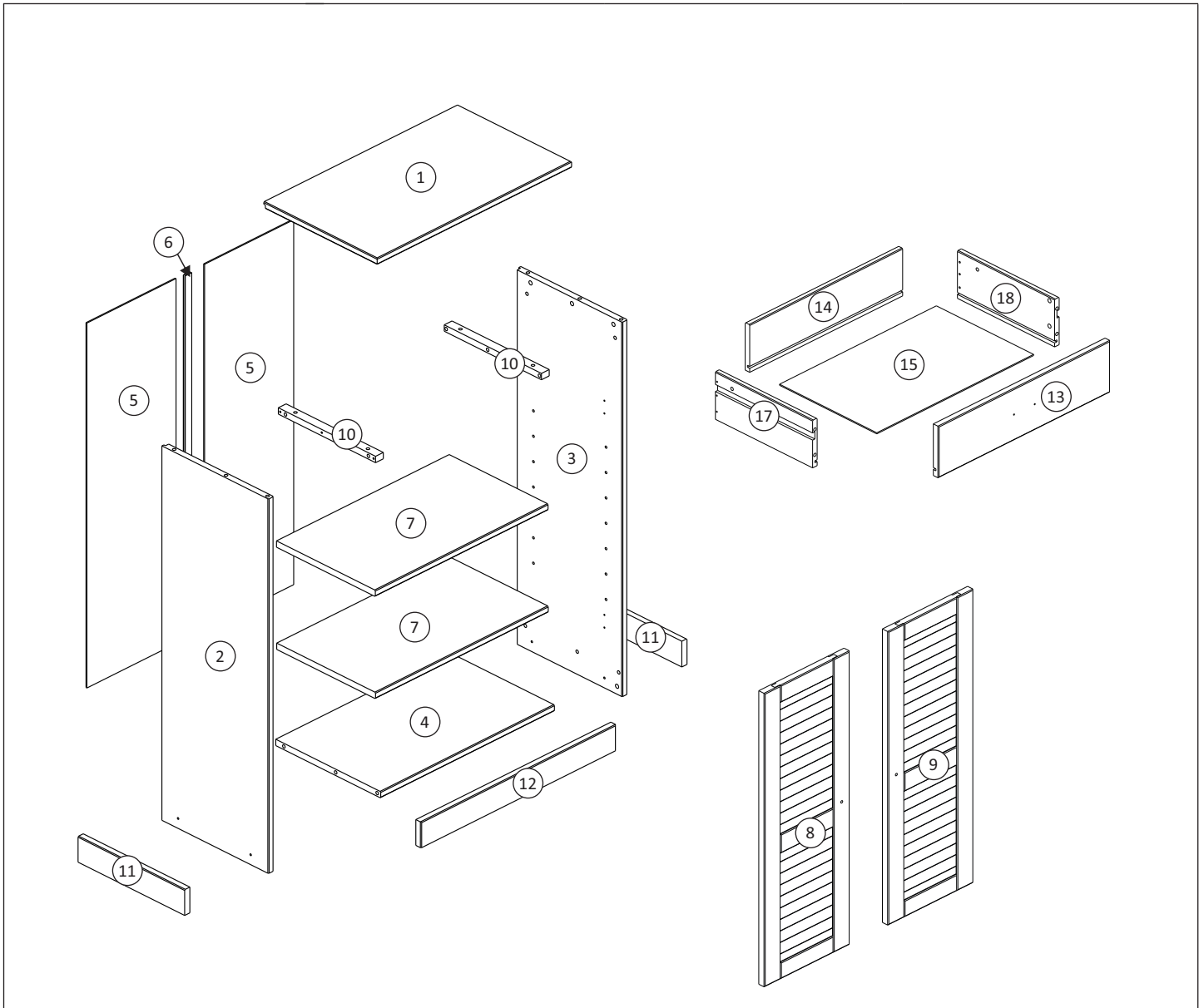


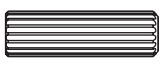
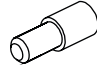


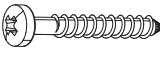
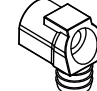
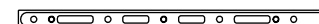
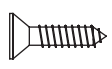

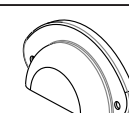

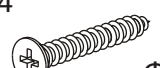
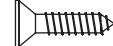

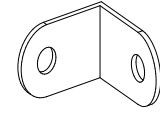

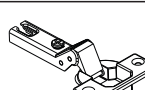
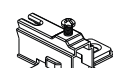
2



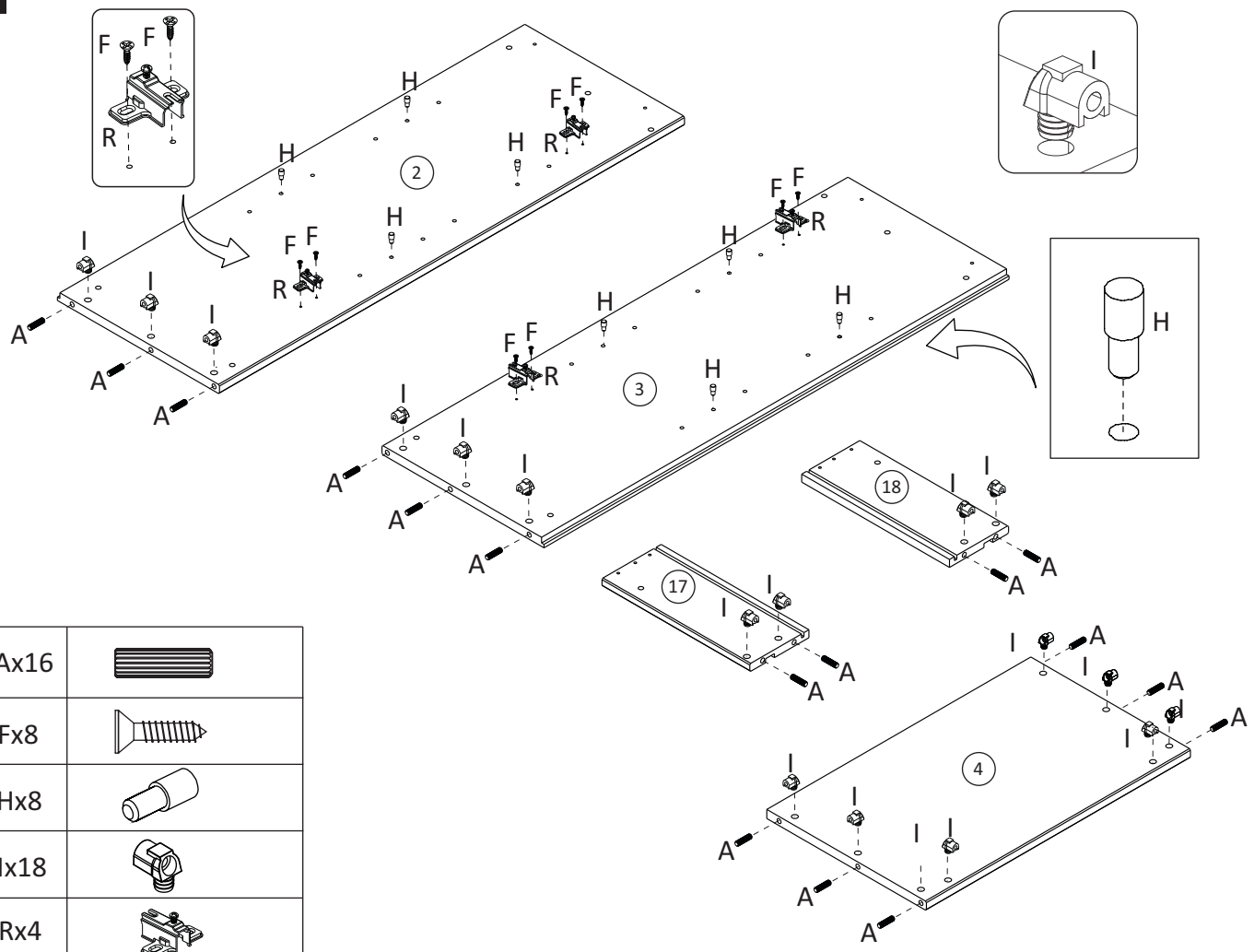
3



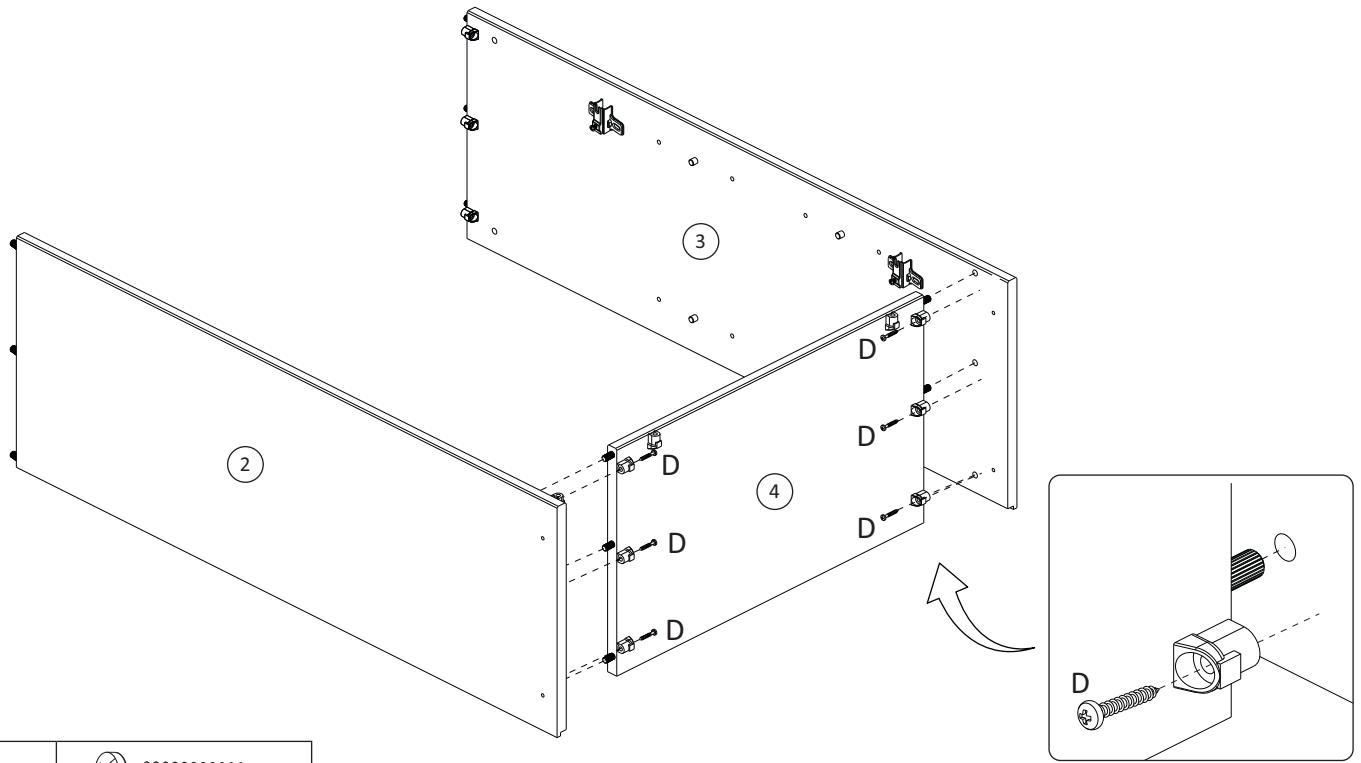


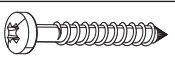
Ax22  $\Phi 8 \times \frac{25}{1.0}$	Hx8 	Nx2 	Sx2 
Dx36  $3.5 \times \frac{25}{0.99}$	Ix20 	Ox2 	Tx2  $3.5 \times \frac{16}{0.6}$
Ex2  $\Phi M4 \times \frac{22}{0.8}$	Jx1 	Px1  $\Phi 3.5 \times \frac{22}{0.6}$	Ux4  $\Phi 3.0 \times \frac{30}{0.6}$
Fx18  $3.5 \times \frac{14}{0.6}$	Kx2 	Qx2  18x18 mm	
Gx28  $\frac{8 \times 8}{0.3 \times 0.3}$	Lx4 	Rx4 	

1

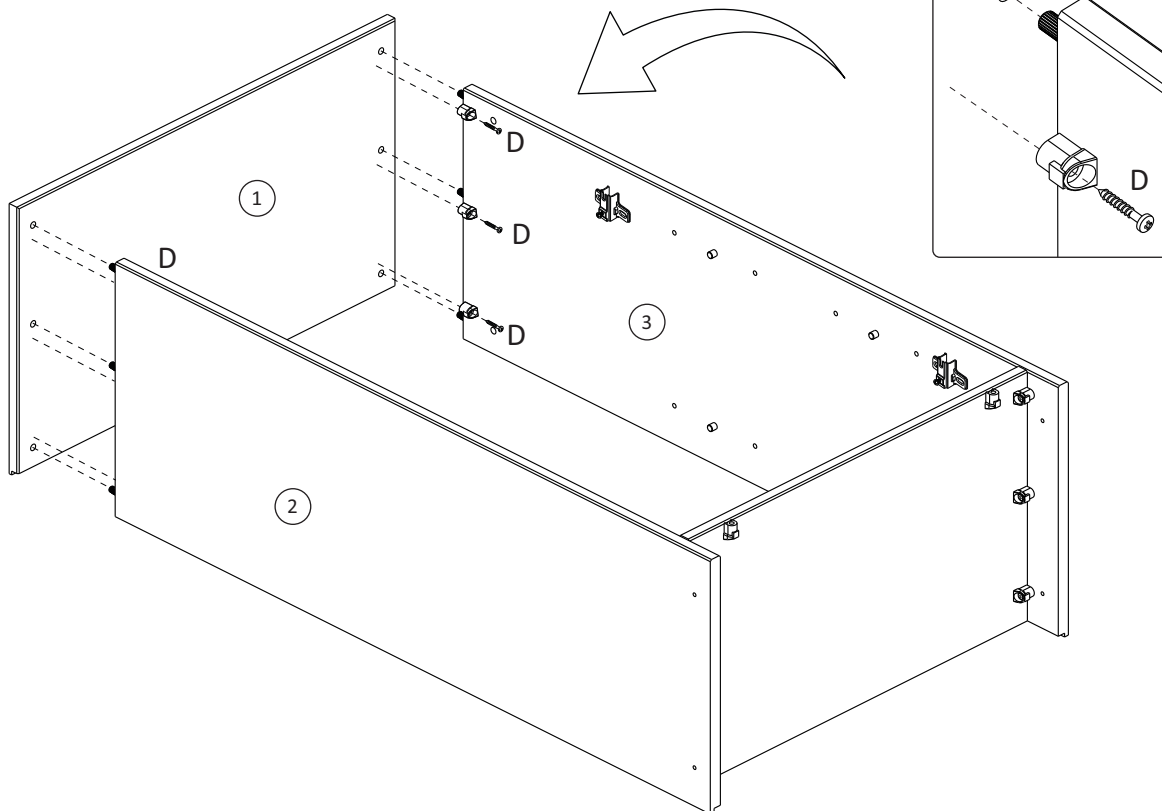


2



Dx6	
-----	---

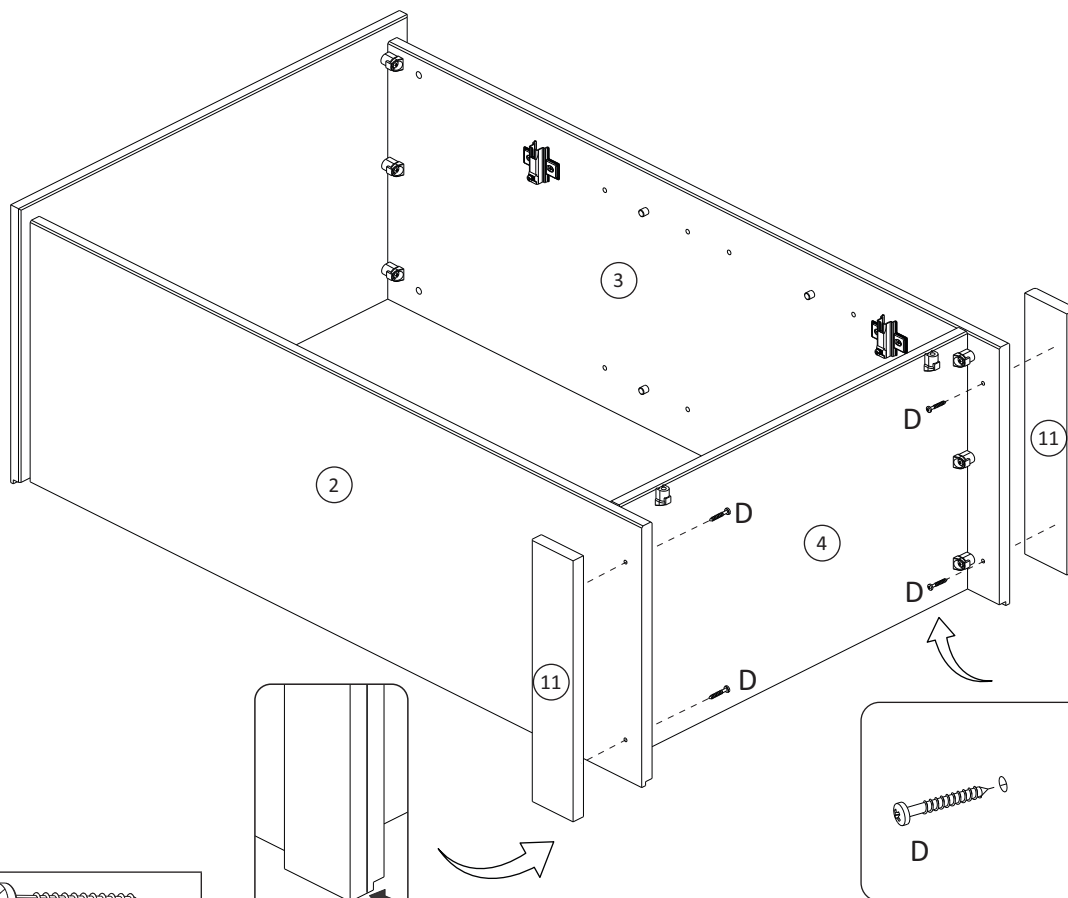
3



Dx6



4

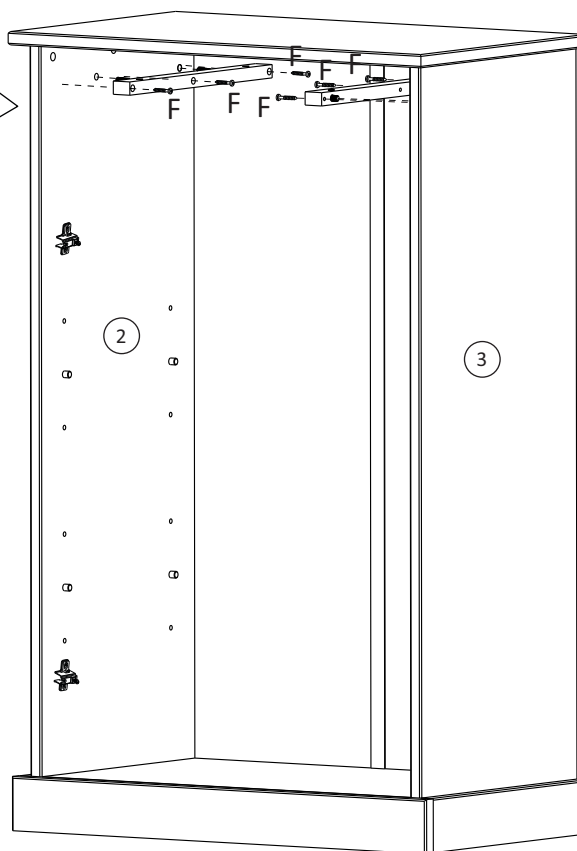
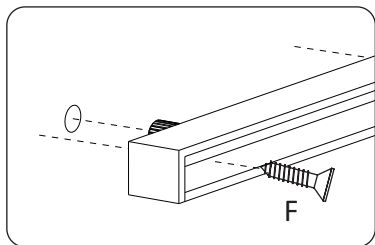


Dx4



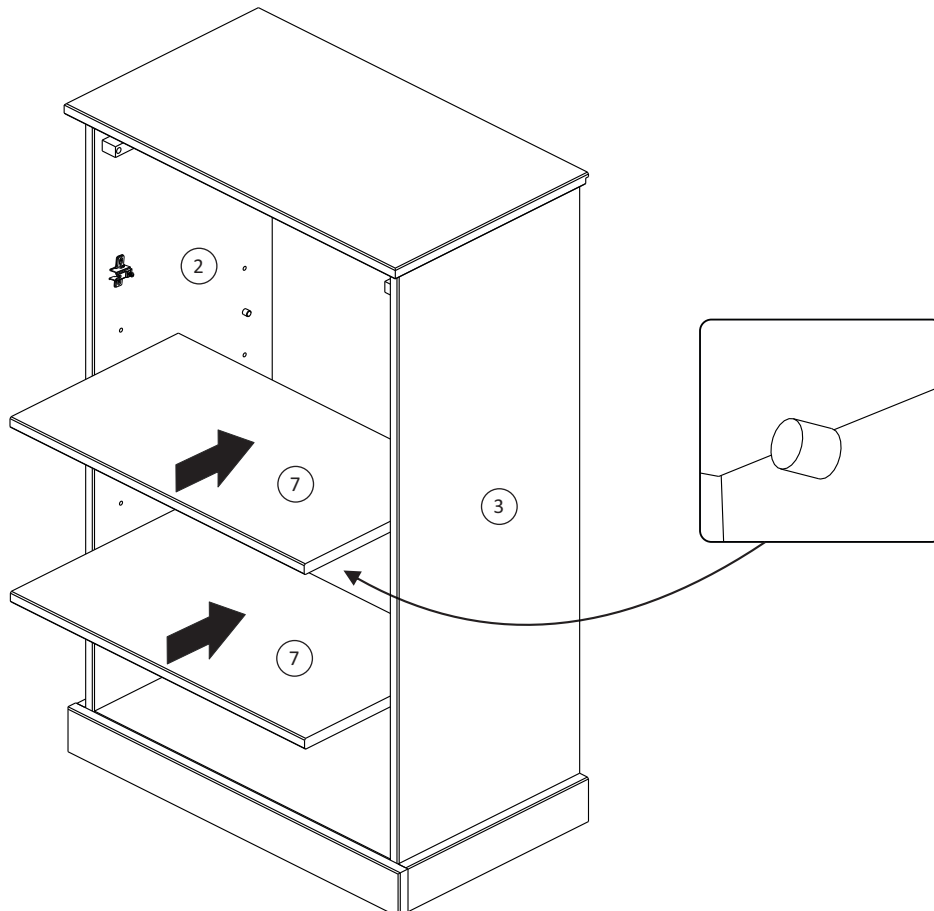
D

7

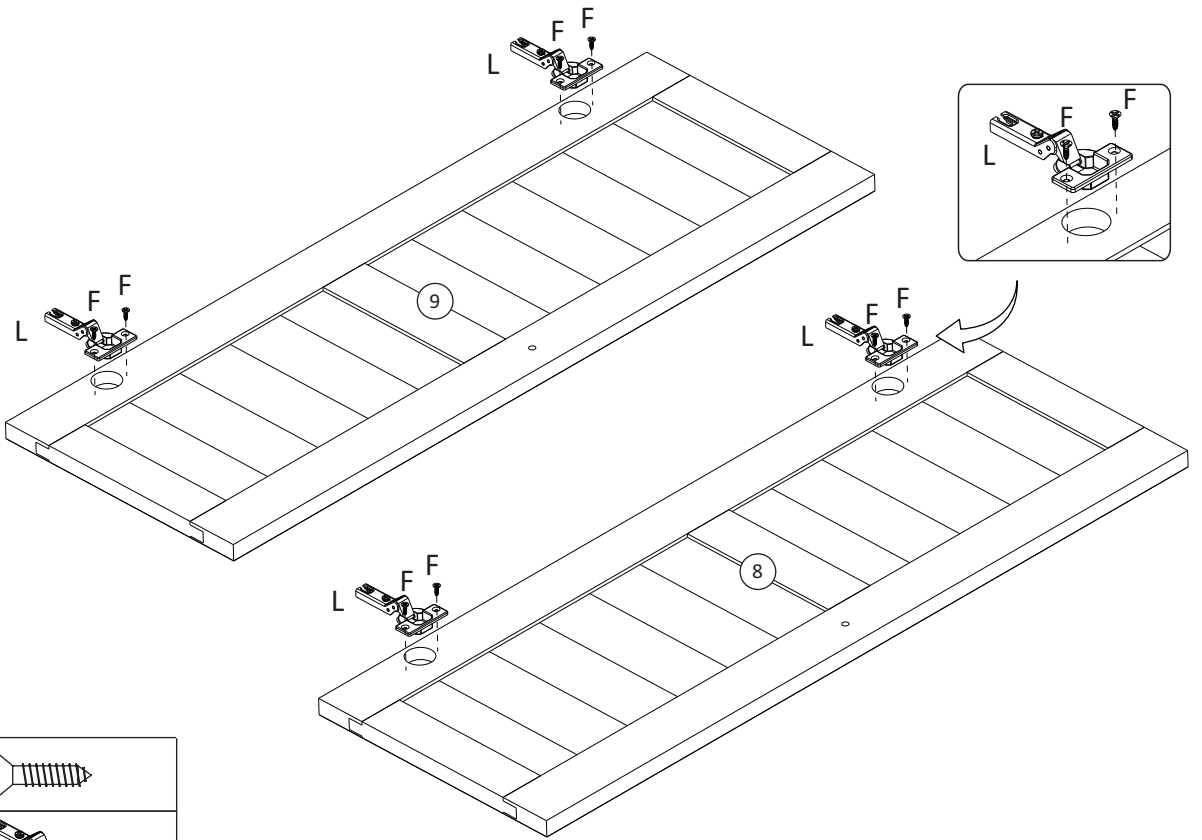



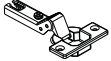
Ox2	
Fx6	

8

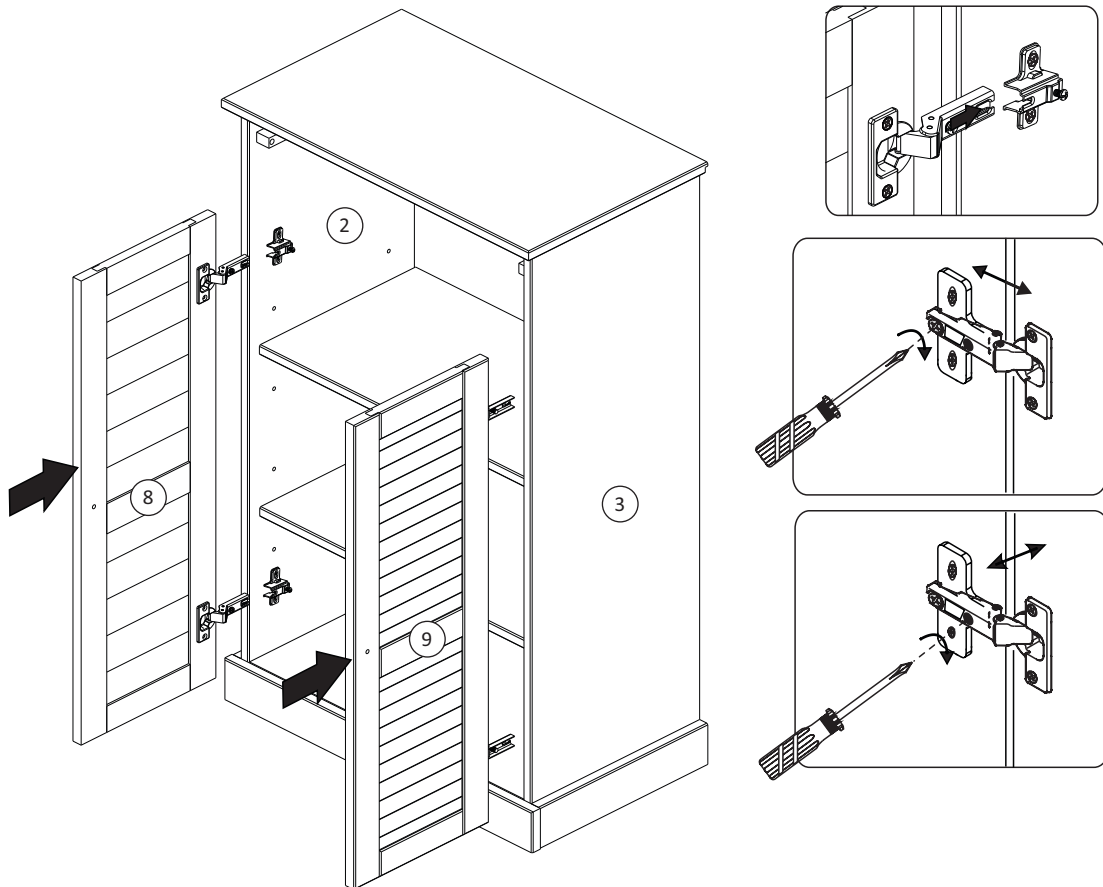


9

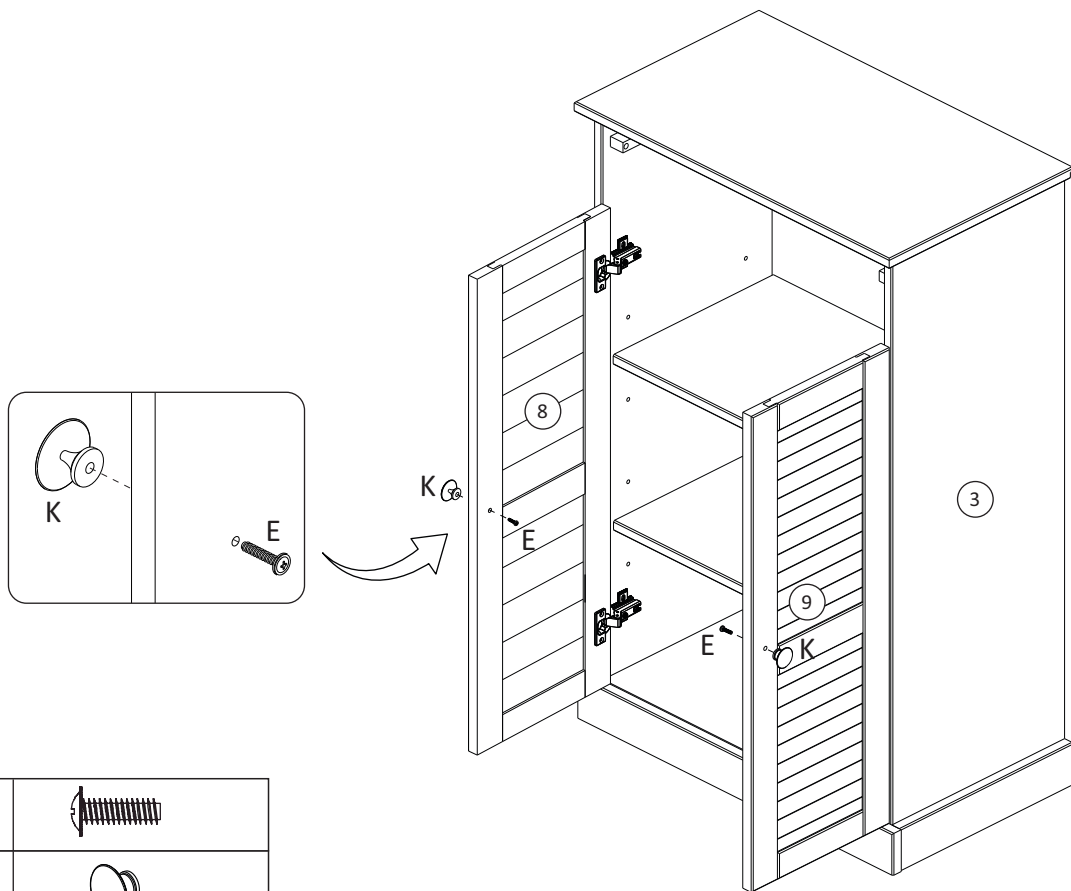




Fx8	
Lx4	

10

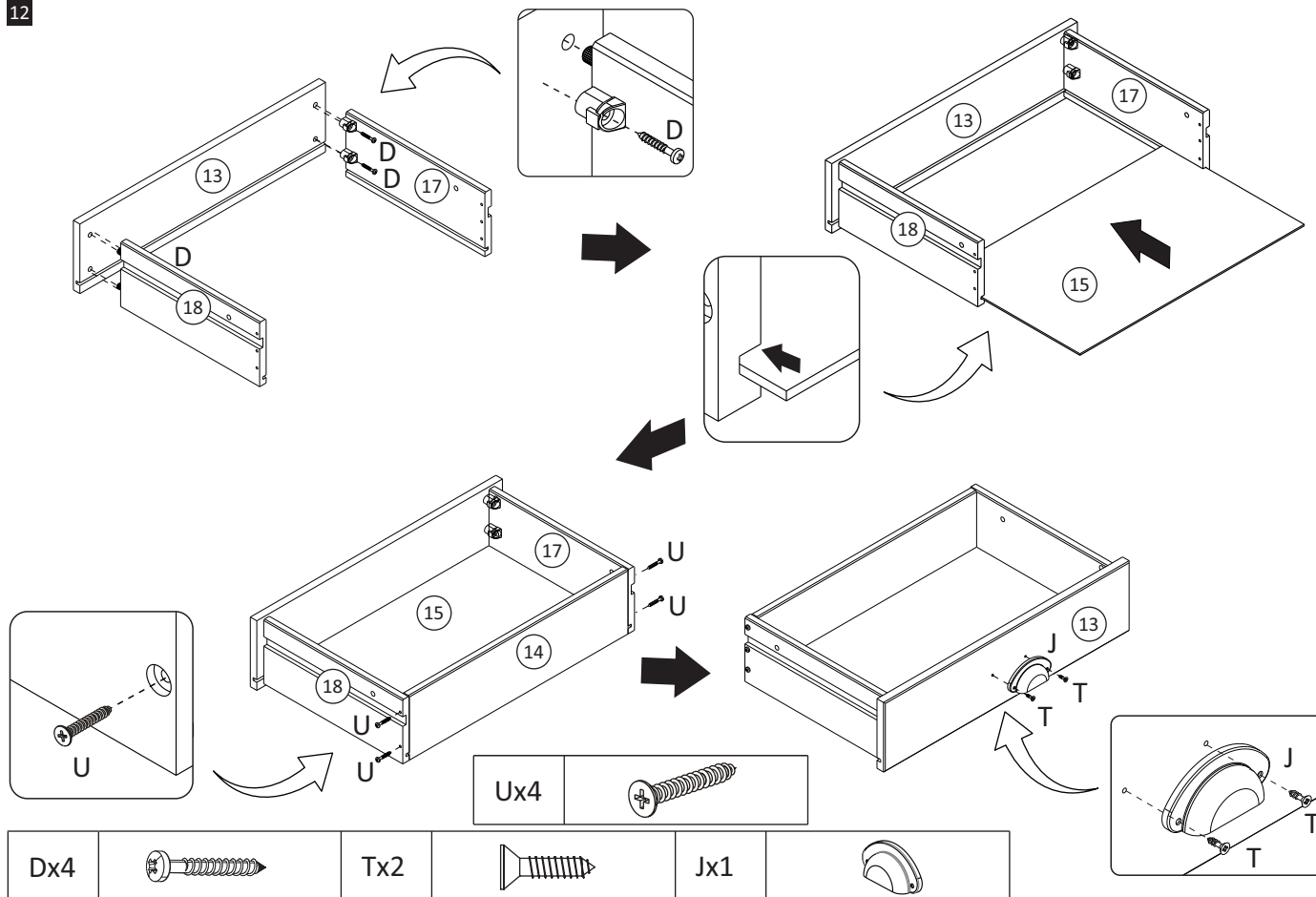



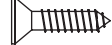


11



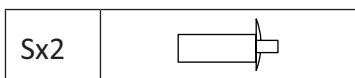
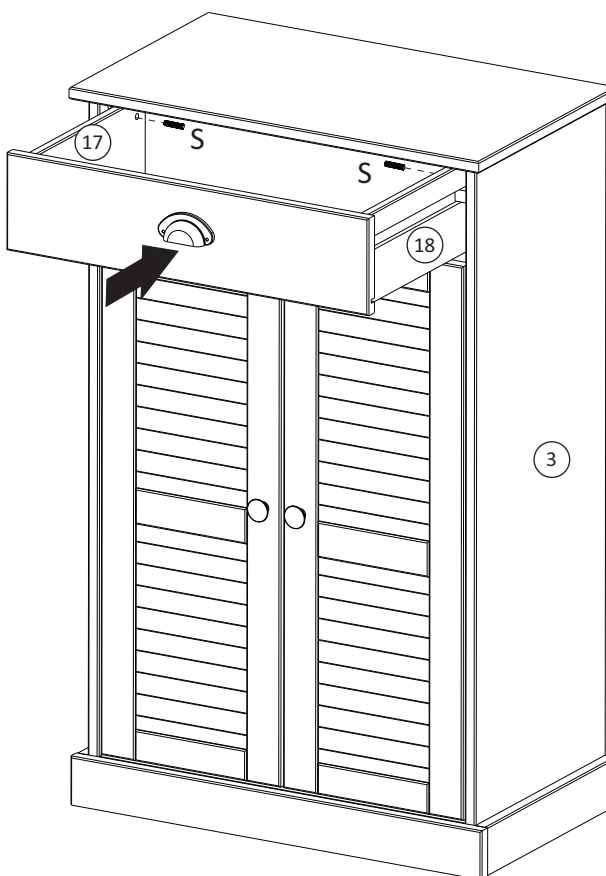
Ex2	
Kx2	

12

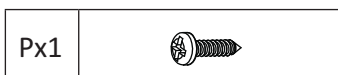
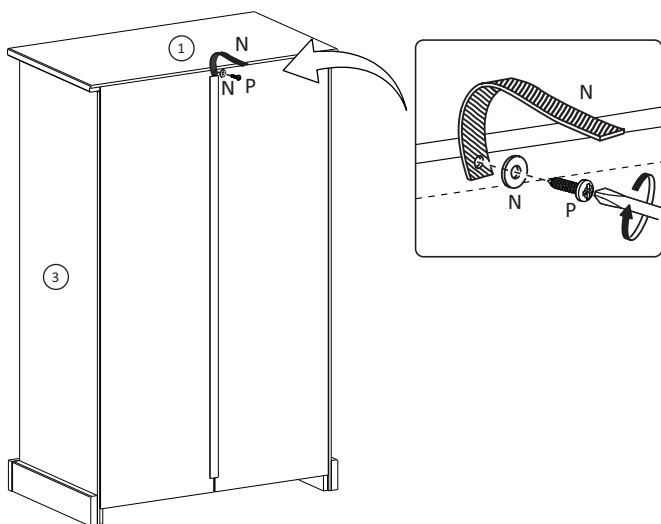


Dx4		Tx2		Jx1	
					

13



14



15

