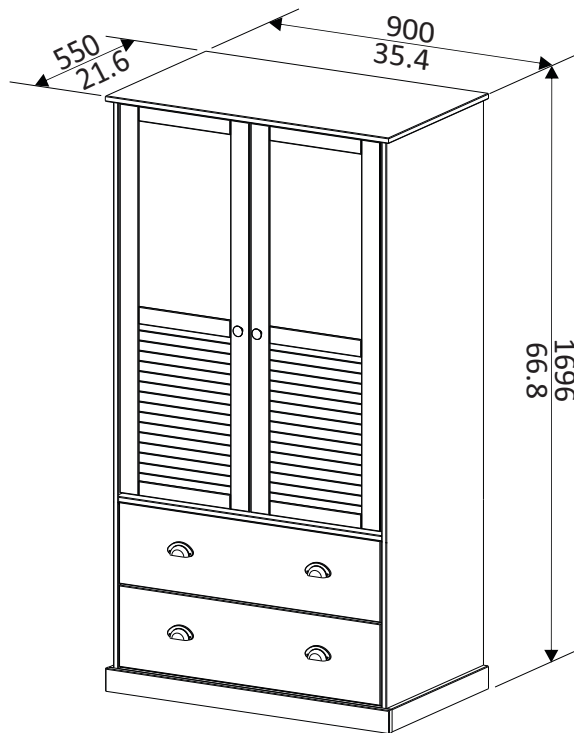
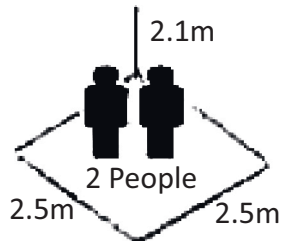


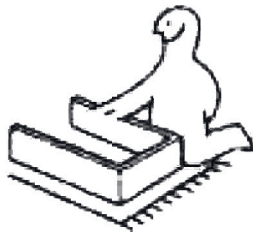
mm
inch



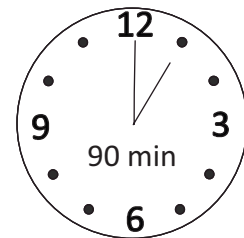
1



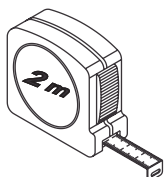
2



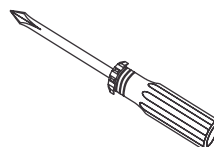
3



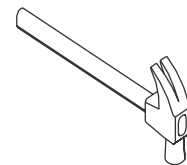
1

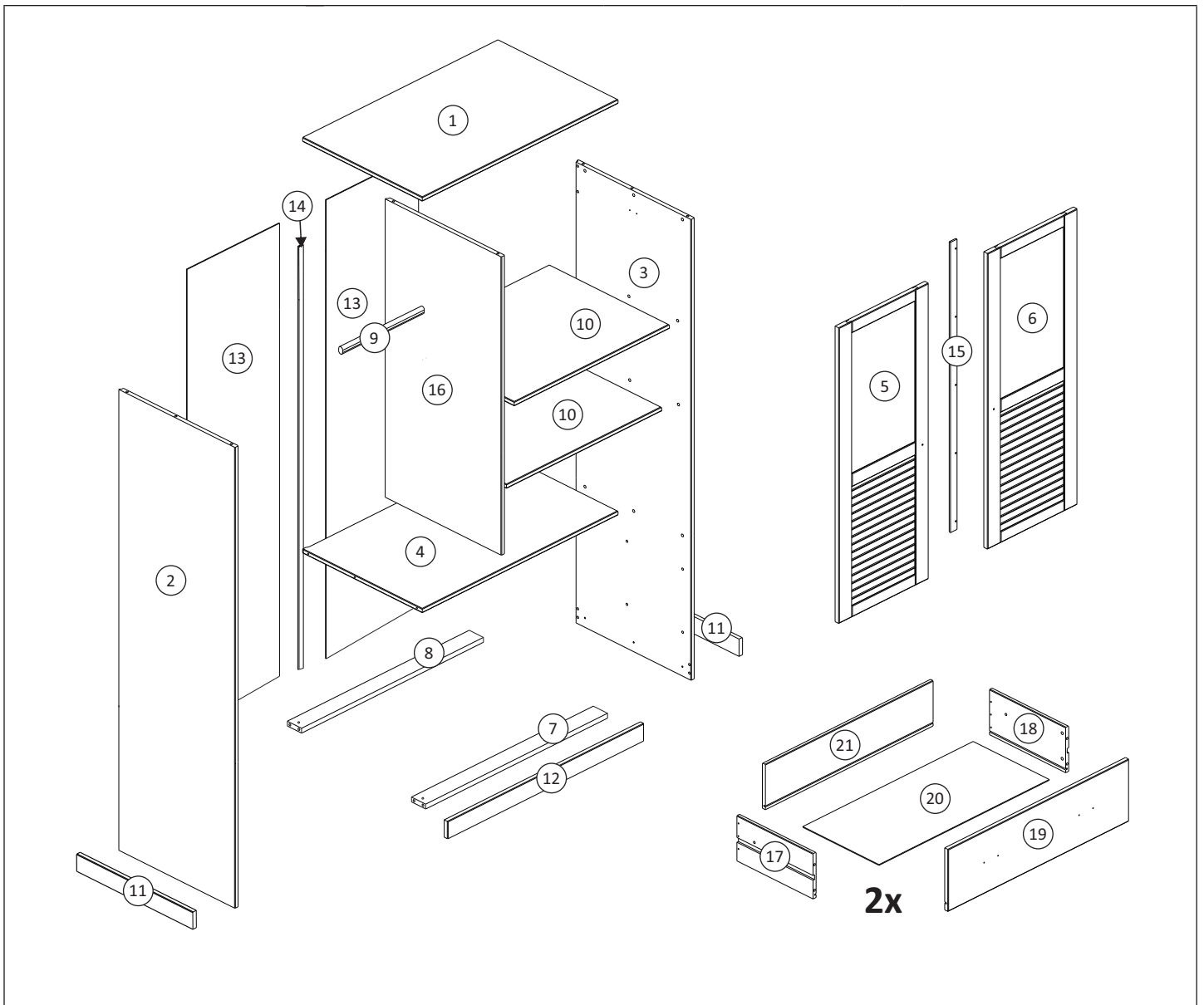



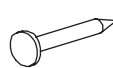
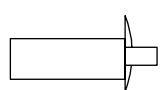
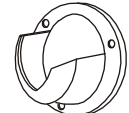
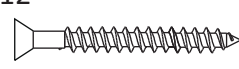
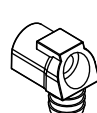

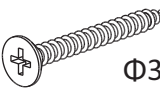
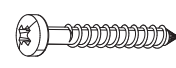
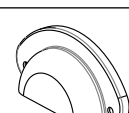
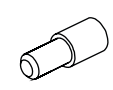
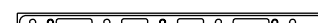
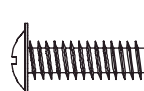

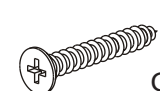
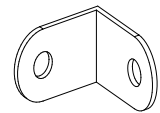


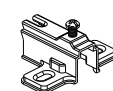
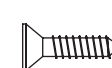
2



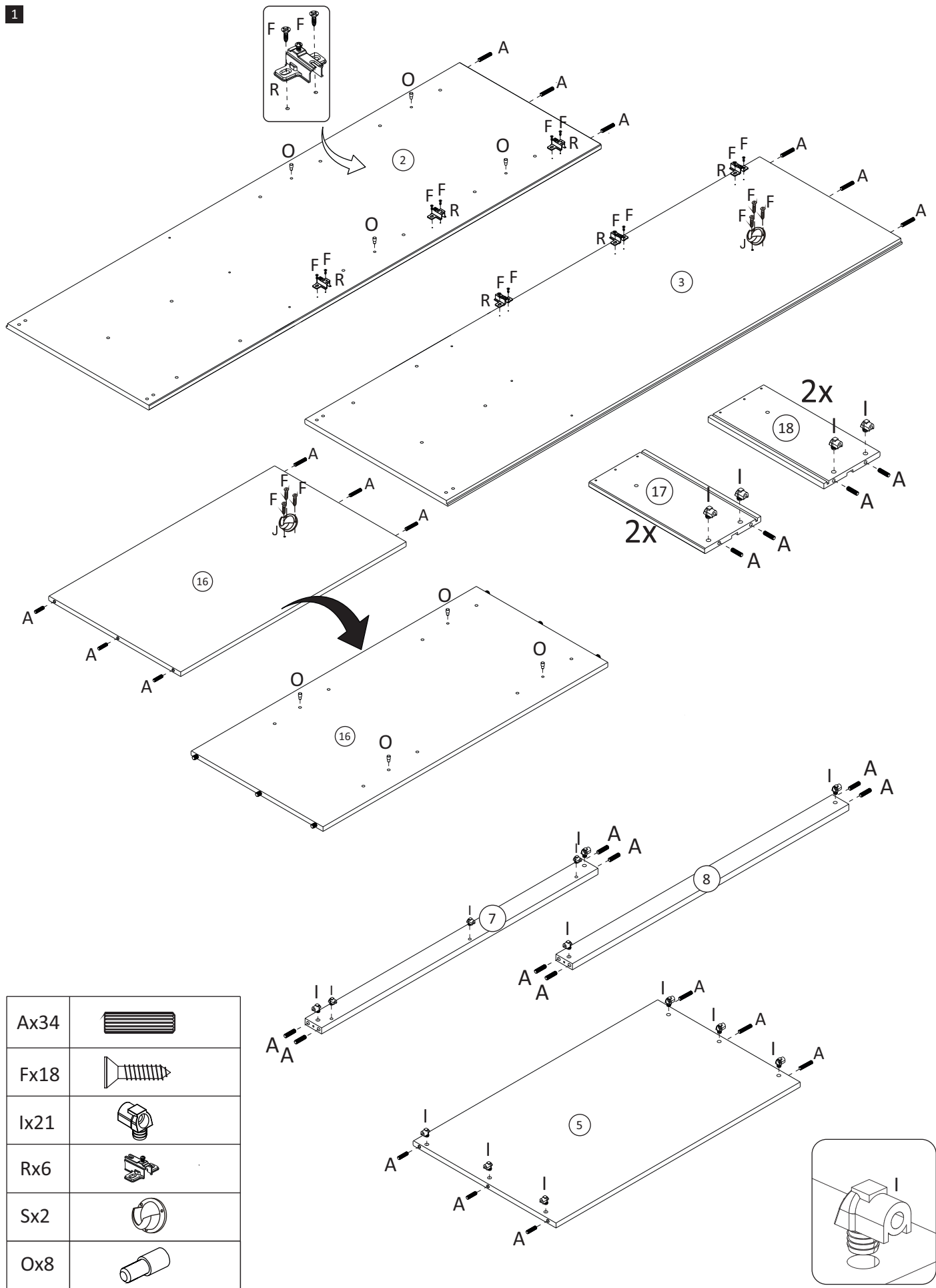
3











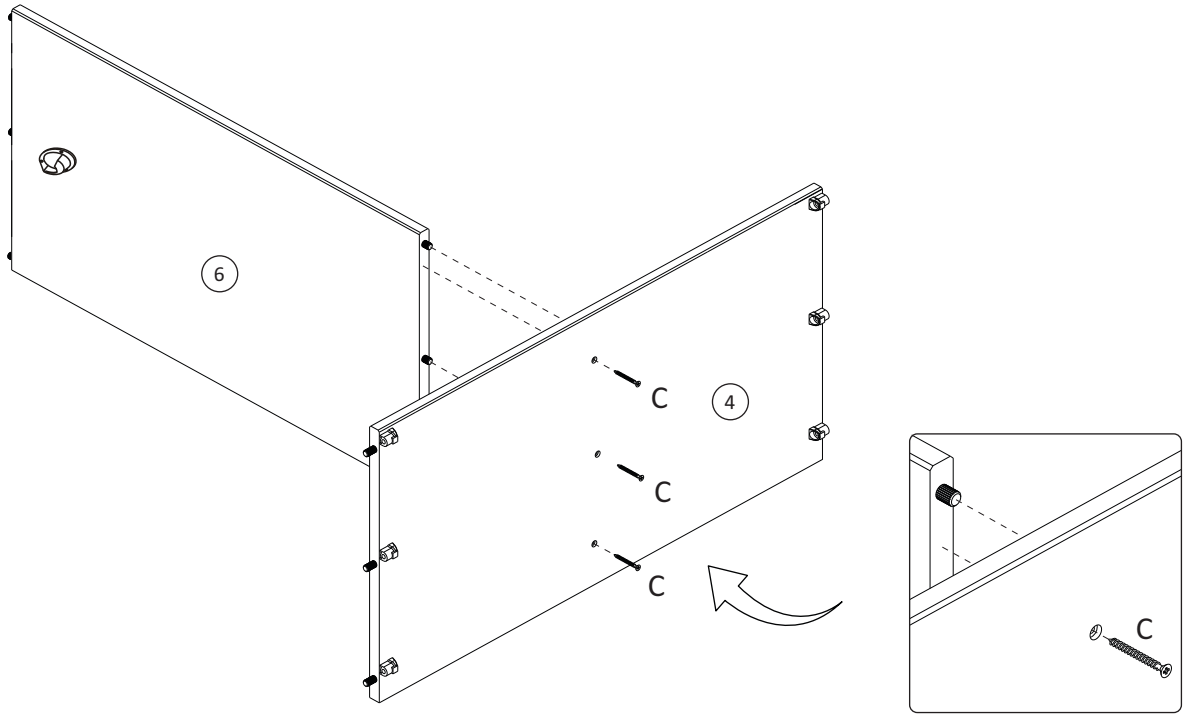
<p>Ax34</p>  <p>$\Phi 8 \times \frac{25}{1.0}$</p>	<p>Gx38</p>  <p>$\frac{10 \times 10}{0.3 \times 0.3}$</p>	<p>Mx4</p> 	<p>Sx2</p> 
<p>Cx12</p>  <p>$4.0 \times \frac{40}{1.6}$</p>	<p>Ix21</p> 	<p>Nx2</p>  <p>x1</p>	<p>Tx8</p>  <p>$\Phi 3.0 \times \frac{30}{0.6}$</p>
<p>Dx27</p>  <p>$3.5 \times \frac{25}{0.99}$</p>	<p>Jx4</p> 	<p>Ox8</p> 	<p>Ux4</p> 
<p>Ex2</p>  <p>$\Phi M4 \times \frac{22}{0.8}$</p>	<p>Kx2</p> 	<p>Px1</p>  <p>$\Phi 3.5 \times \frac{22}{0.6}$</p>	<p>Vx2</p>  <p>18x18 mm</p>
<p>Fx46</p>  <p>$3.5 \times \frac{14}{0.6}$</p>	<p>Lx6</p> 	<p>Rx6</p> 	<p>Wx13</p>  <p>$3.5 \times \frac{16}{0.6}$</p>

1



Ax34	
Fx18	
Ix21	
Rx6	
Sx2	
Ox8	

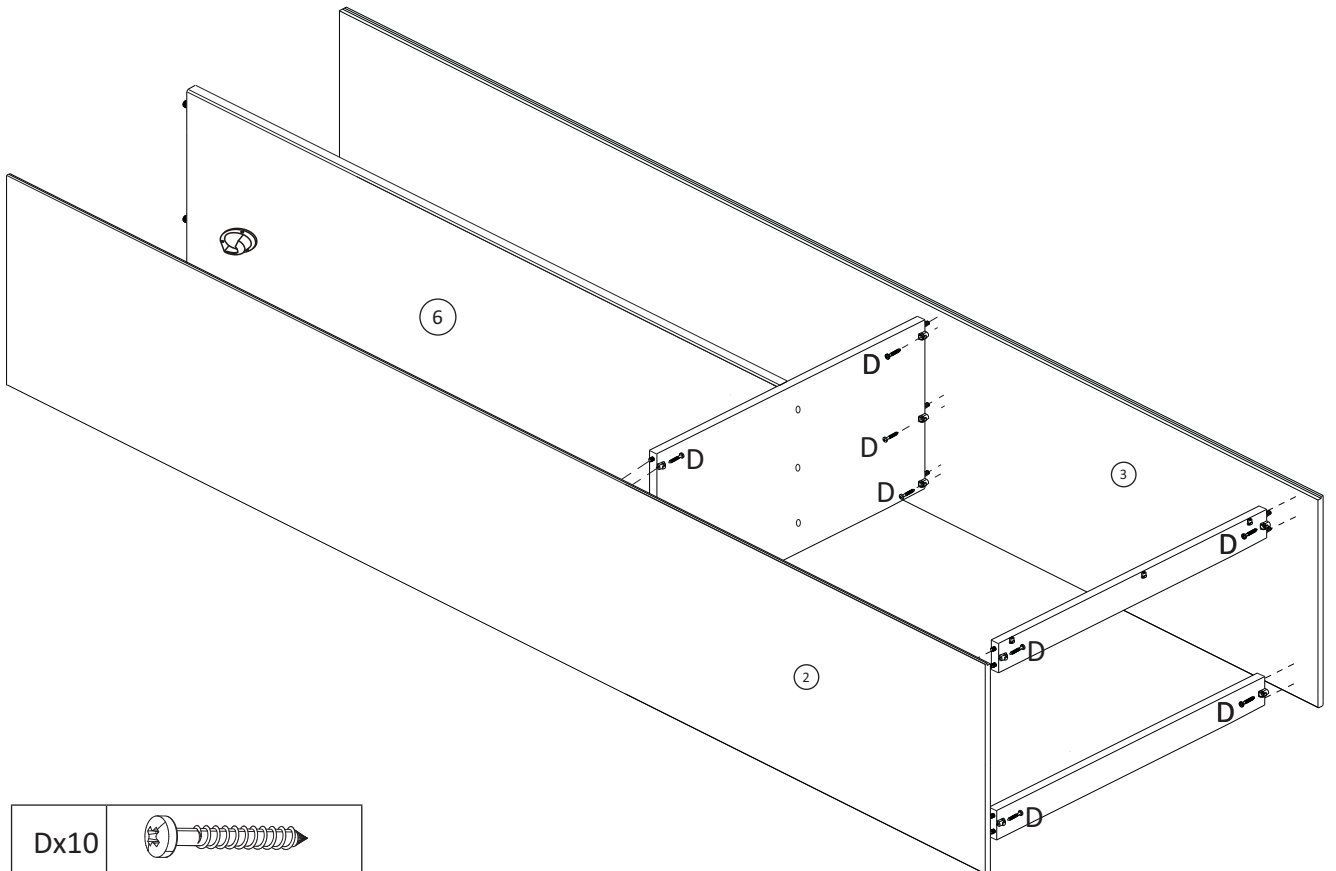
2



Cx3



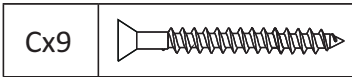
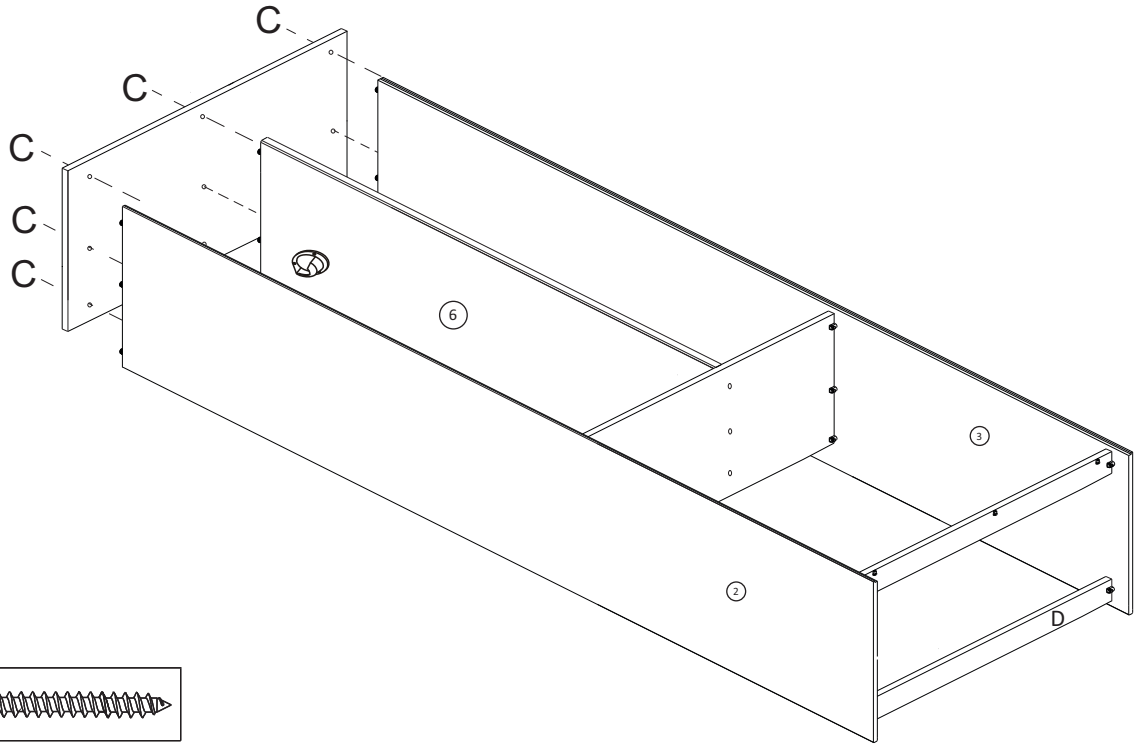
3



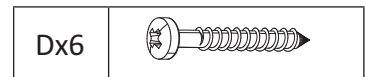
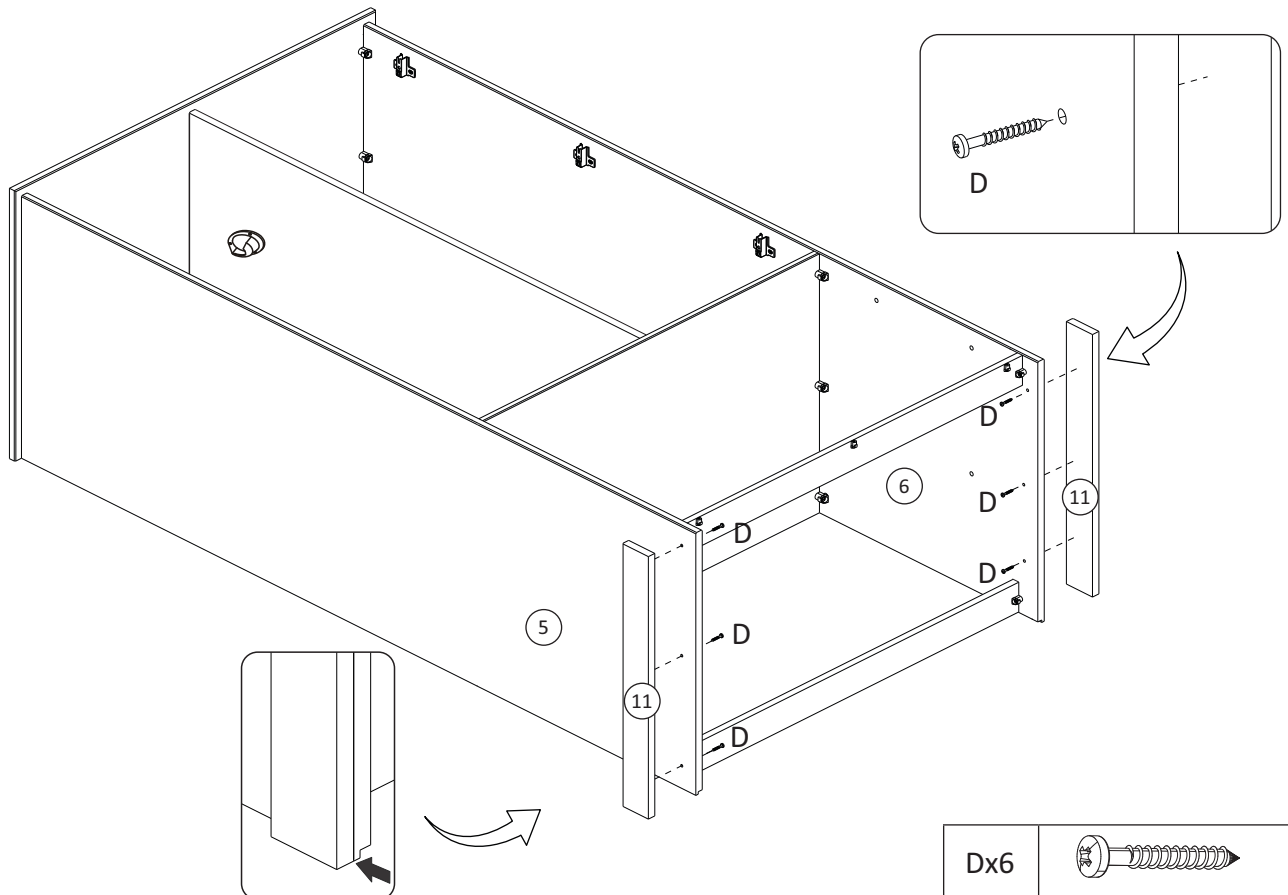
Dx10



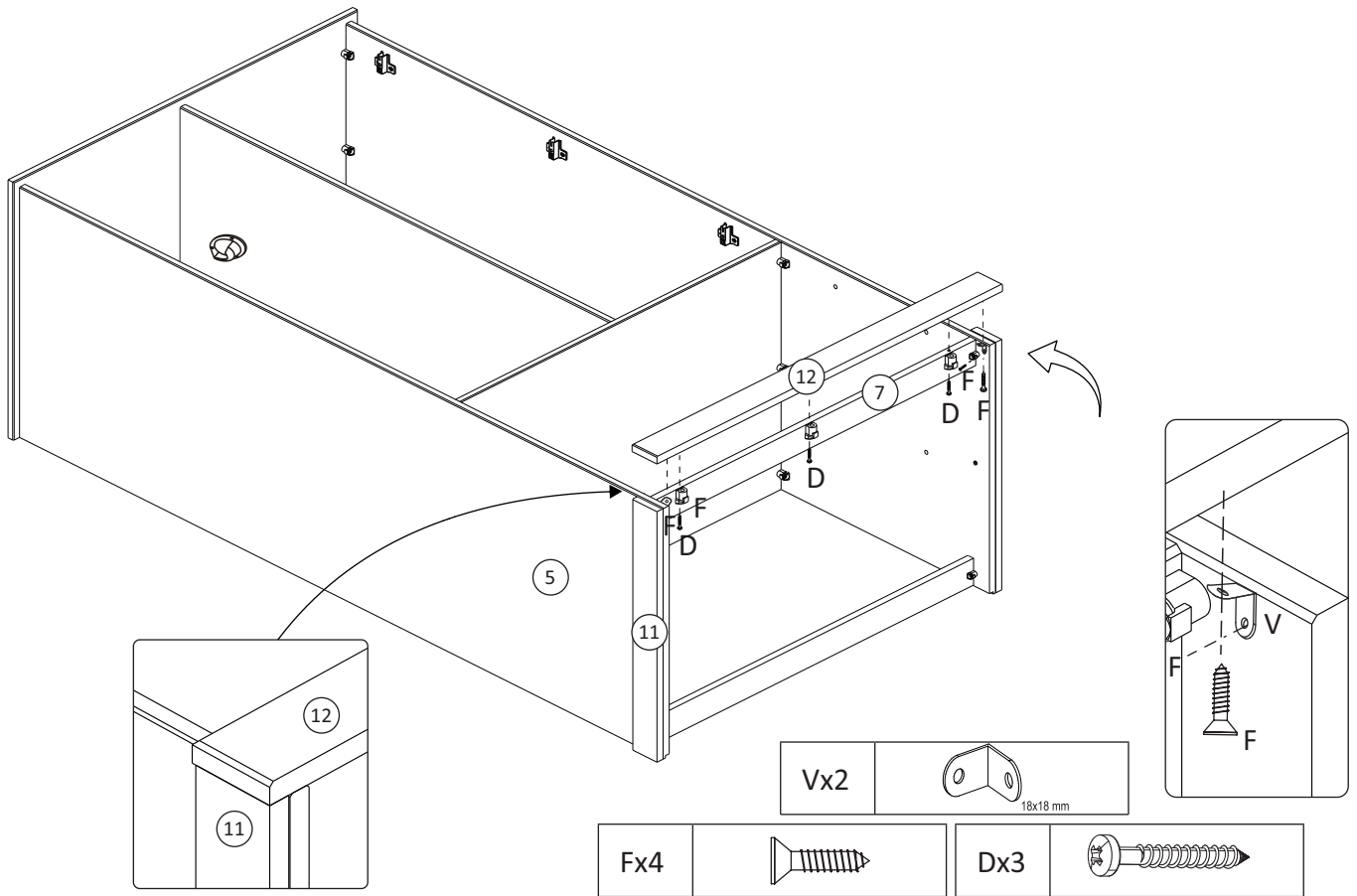
4



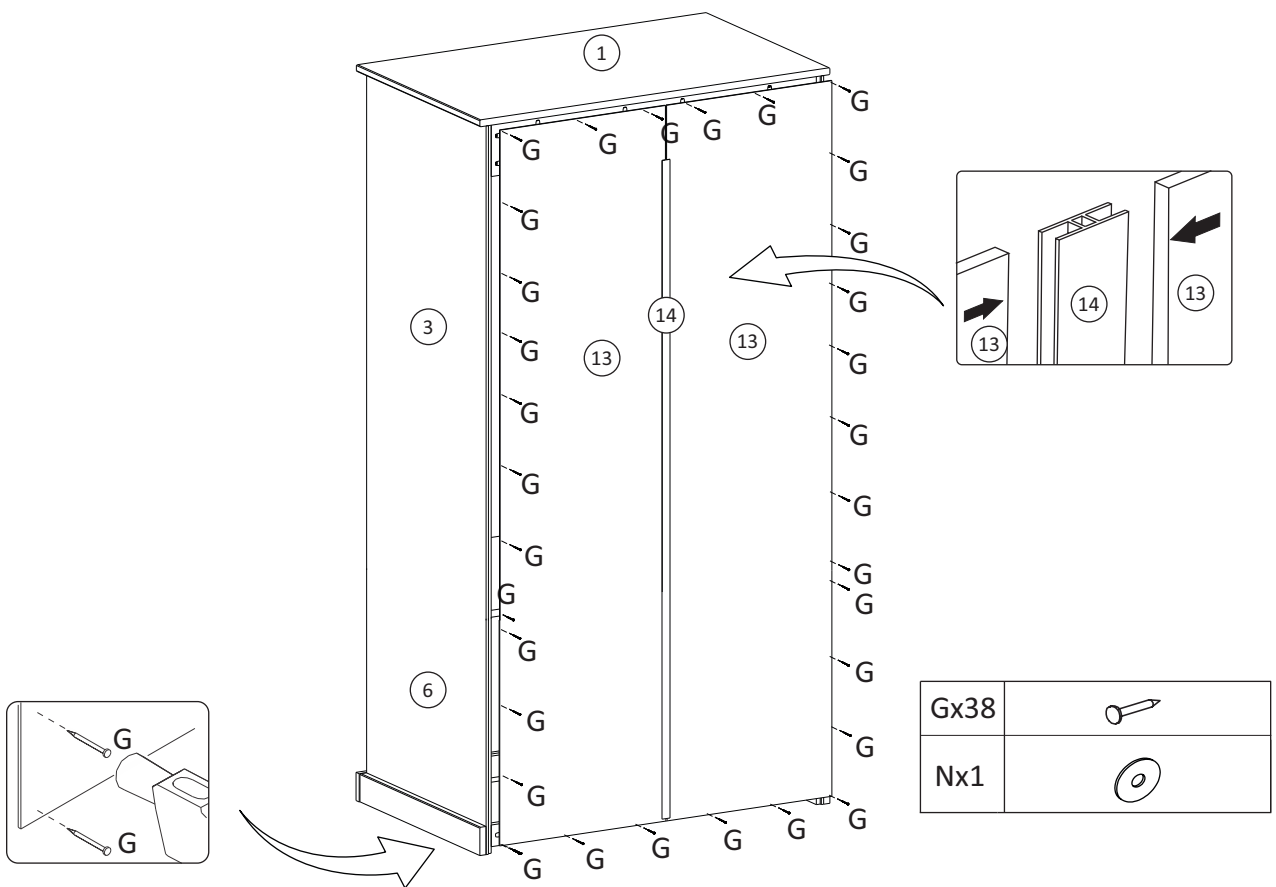
5



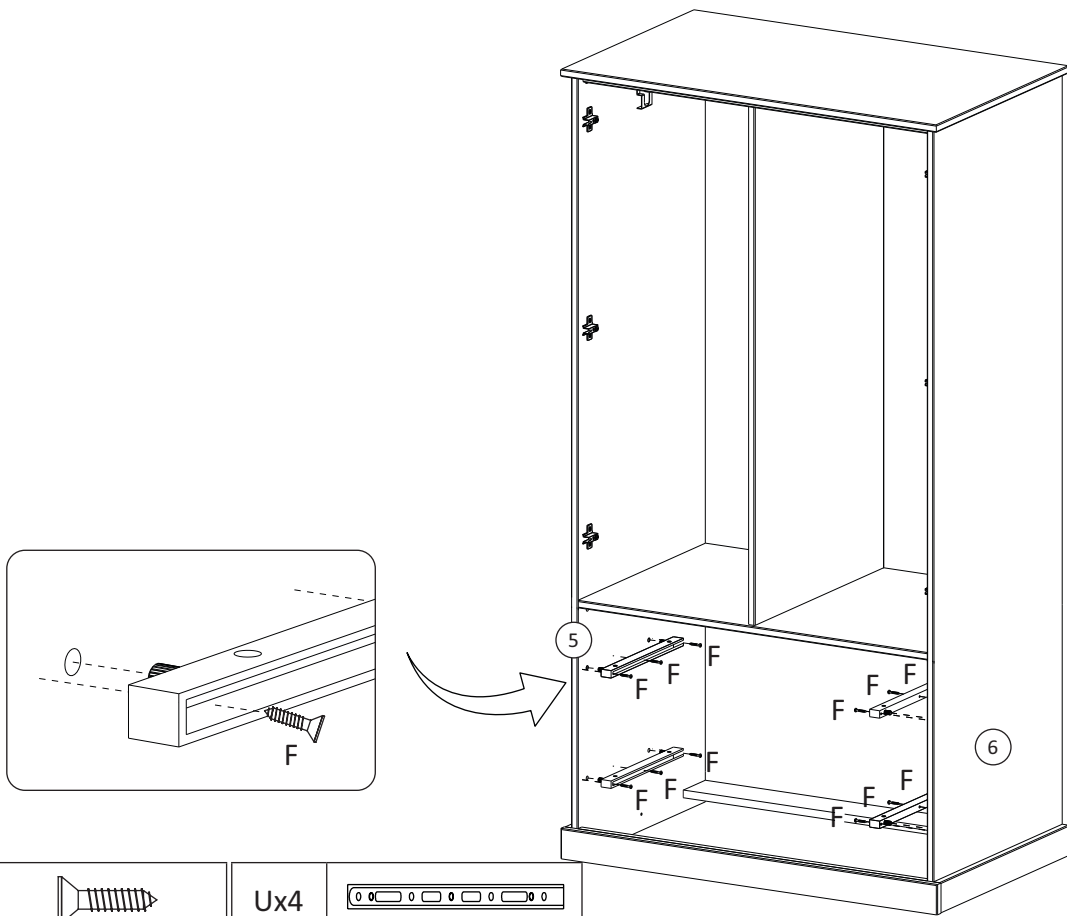
6



7

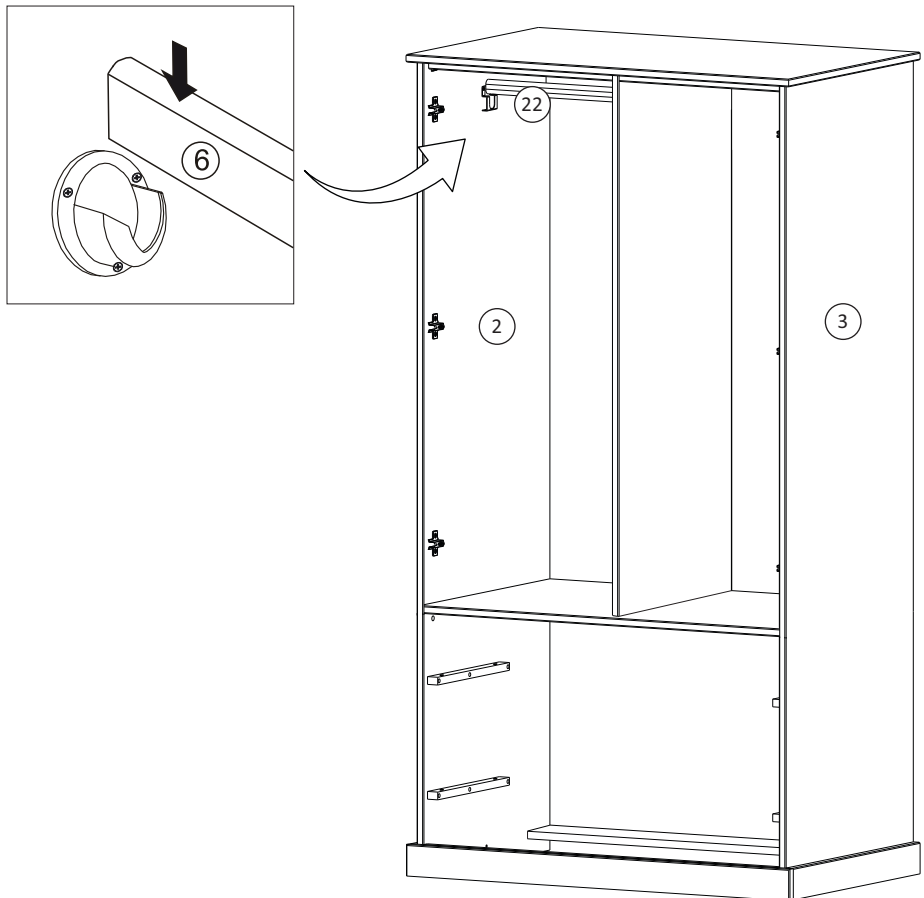


8

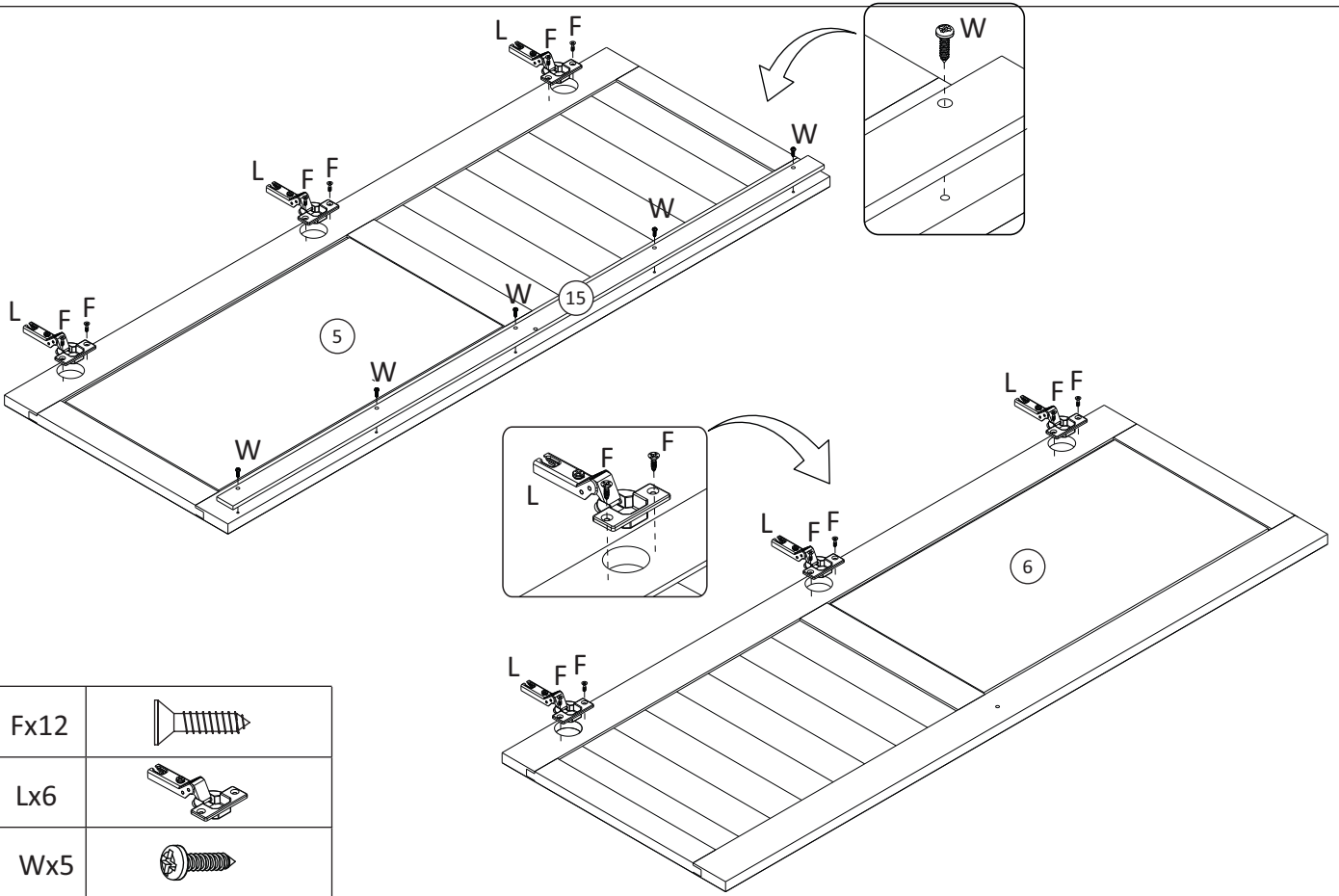


Fx12		Ux4	
------	---	-----	---

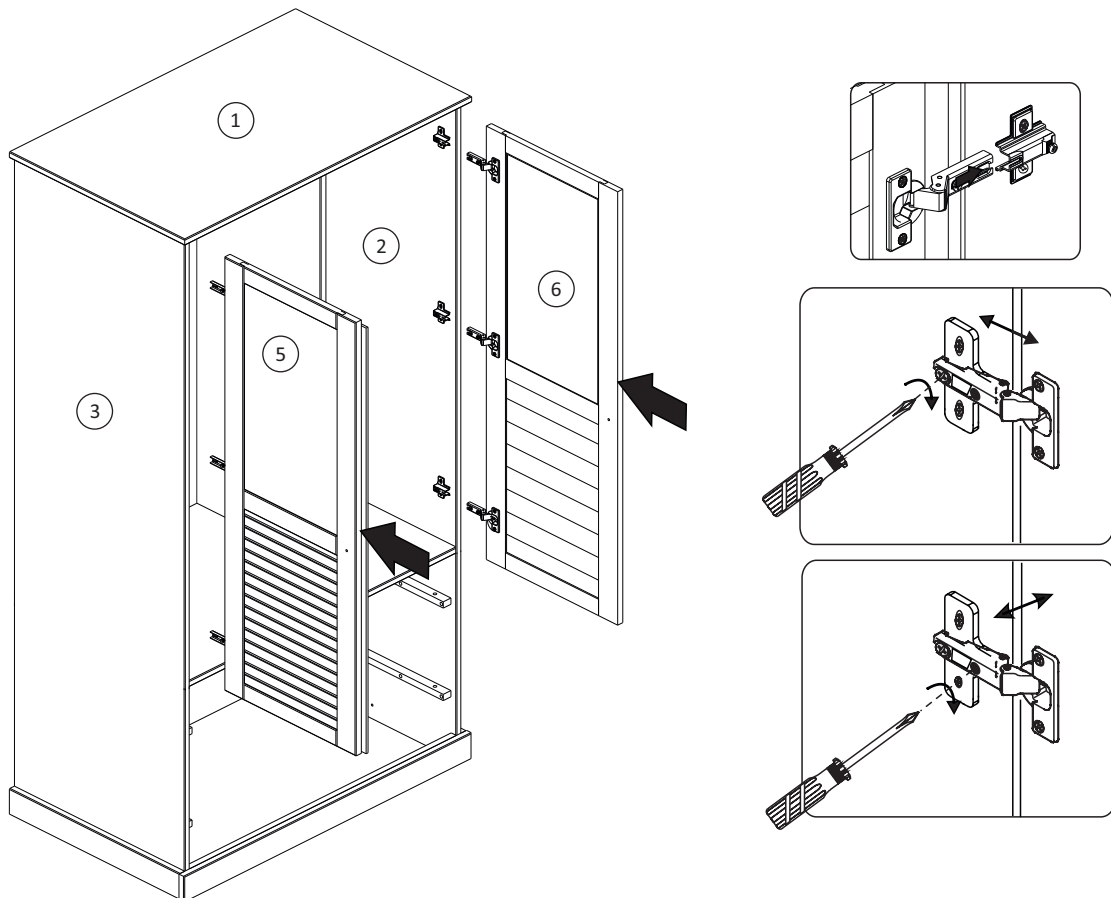
9



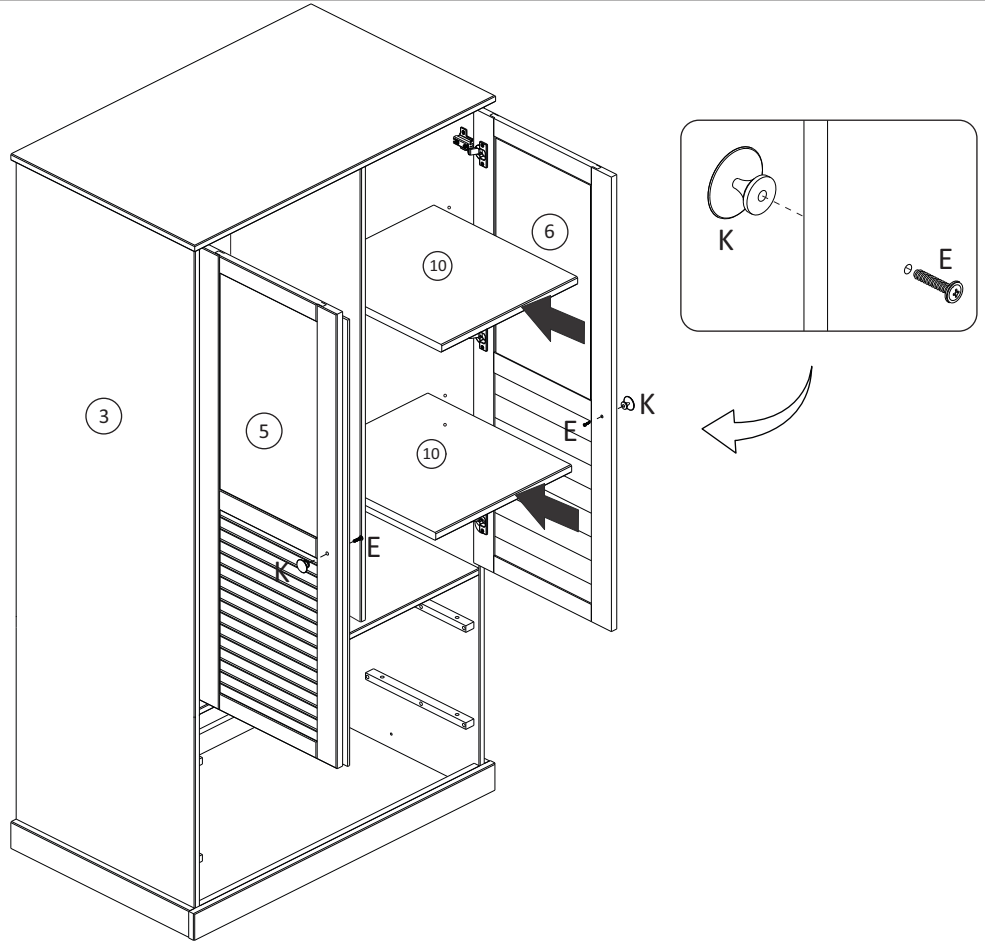
10



11

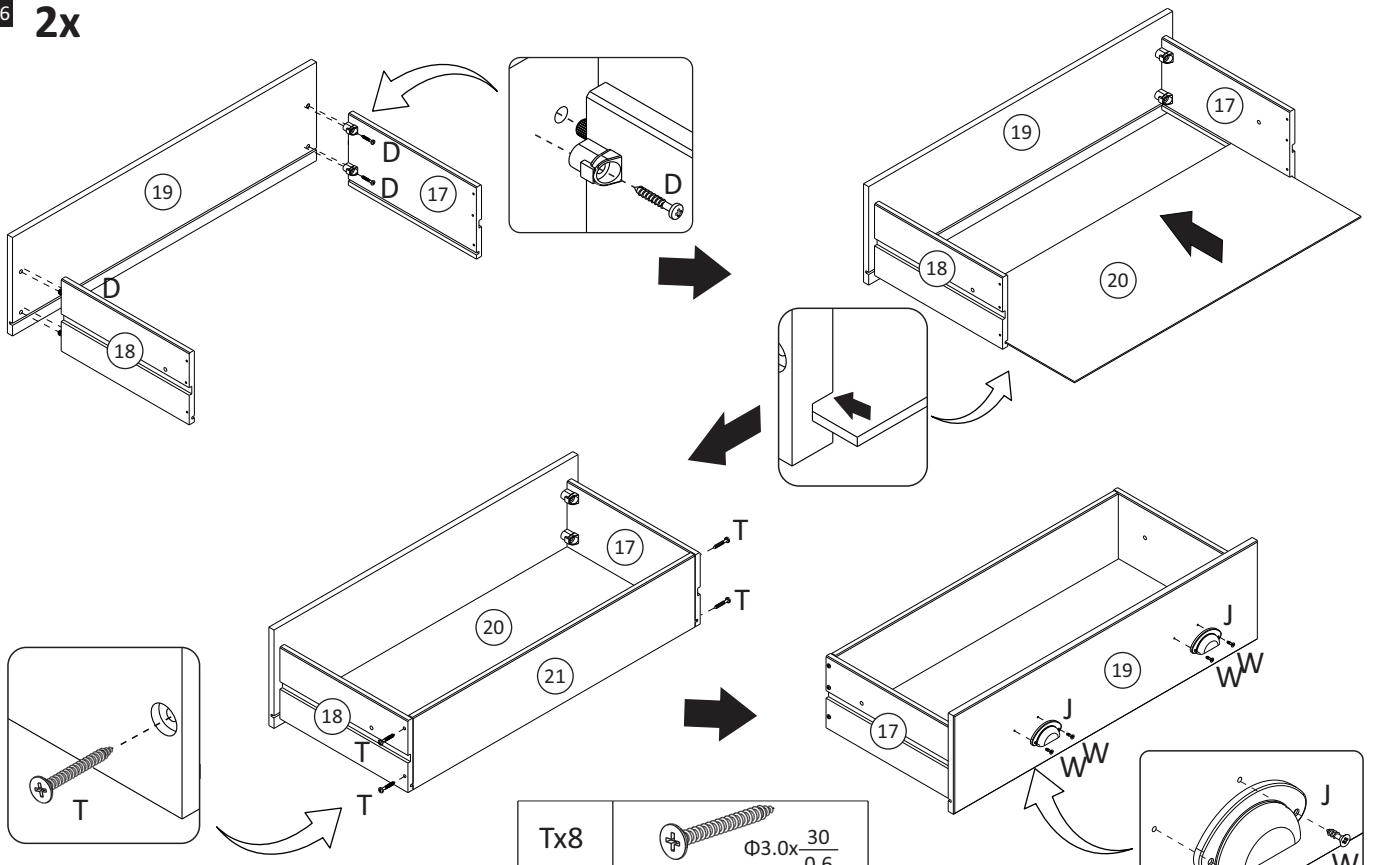


12



Ex2	
Kx2	

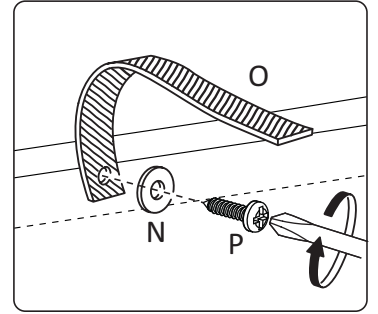
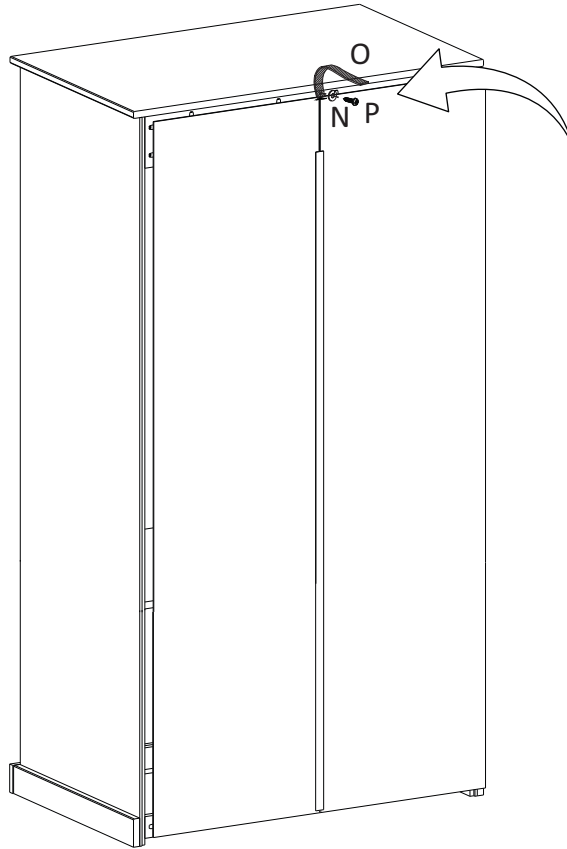
16 2x






Dx8		Wx8		Jx4	
-----	--	-----	--	-----	--

Tx8		$\Phi 3.0 \times \frac{30}{0.6}$
-----	--	----------------------------------

14



Nx2	  x1
Px1	

15

