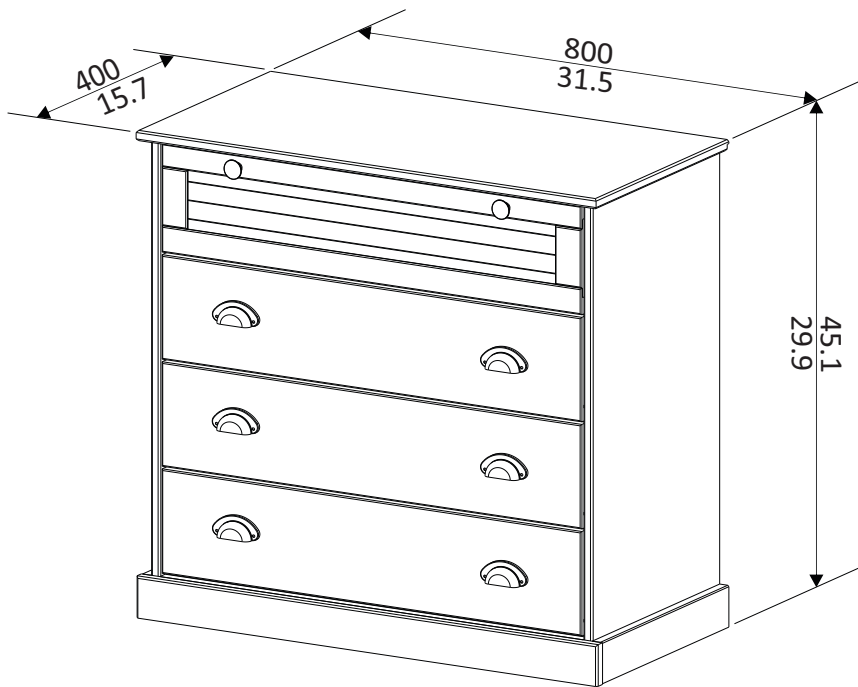
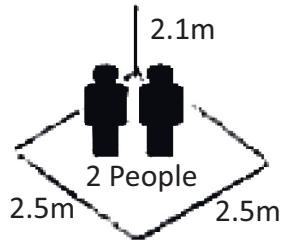


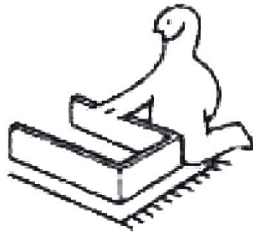
mm
inch



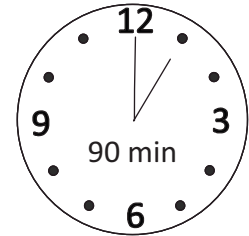
1



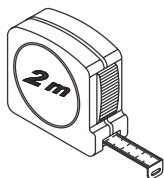
2



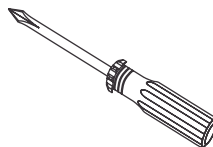
3



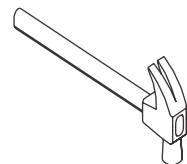
1

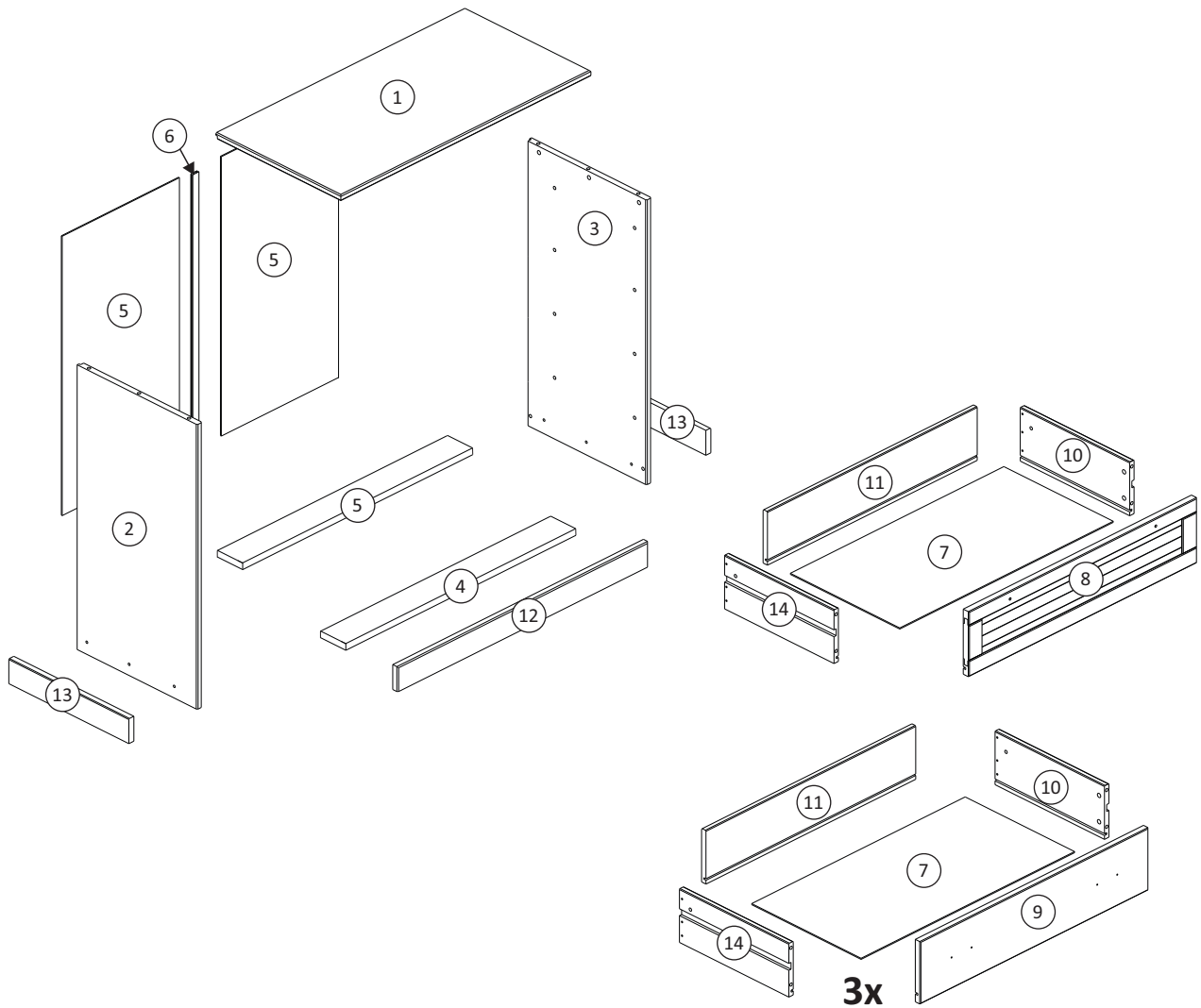


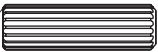

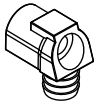
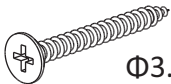




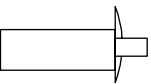
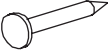



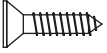
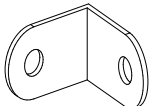
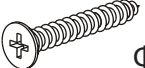
2



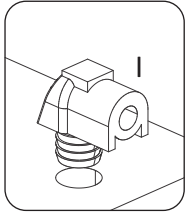
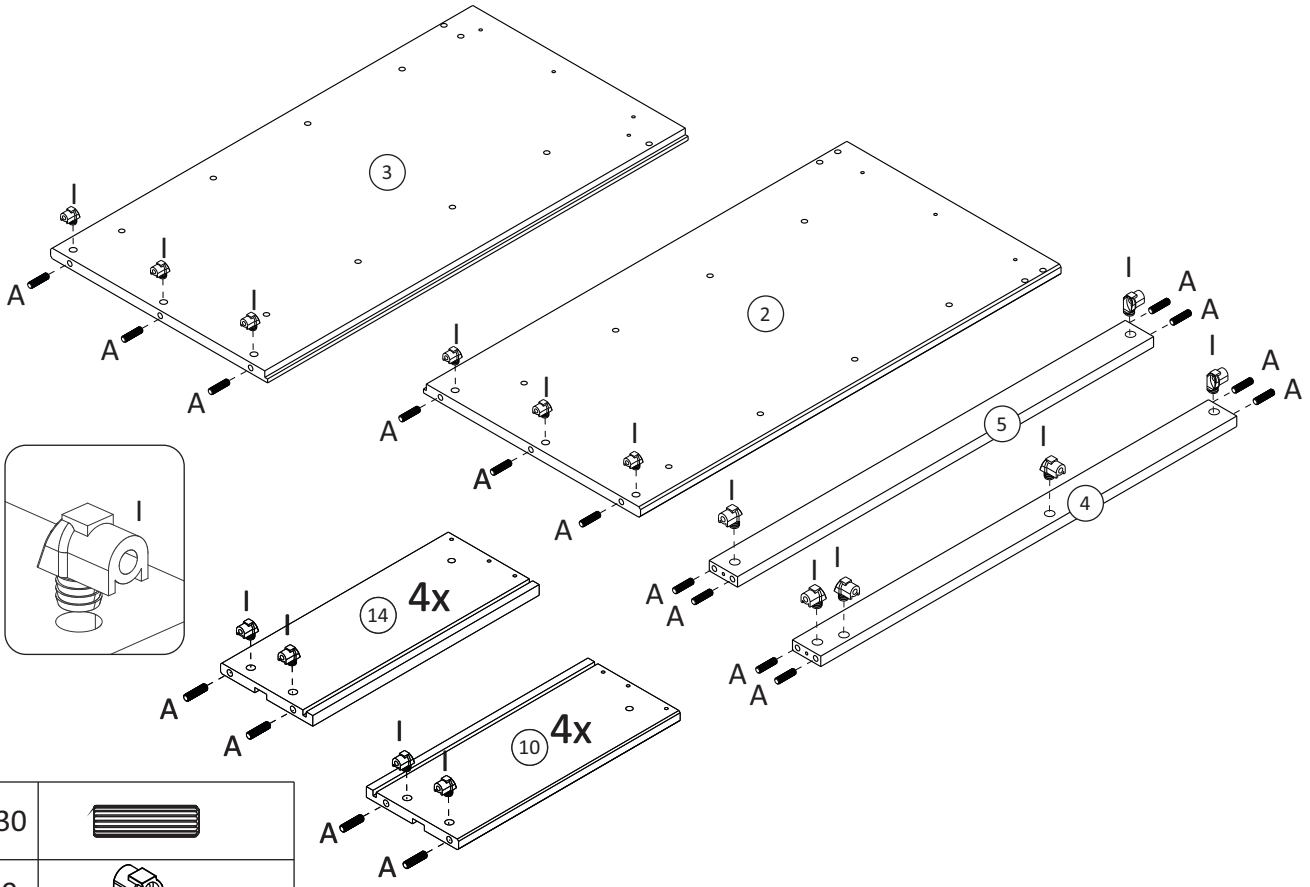
3





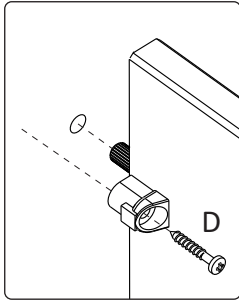
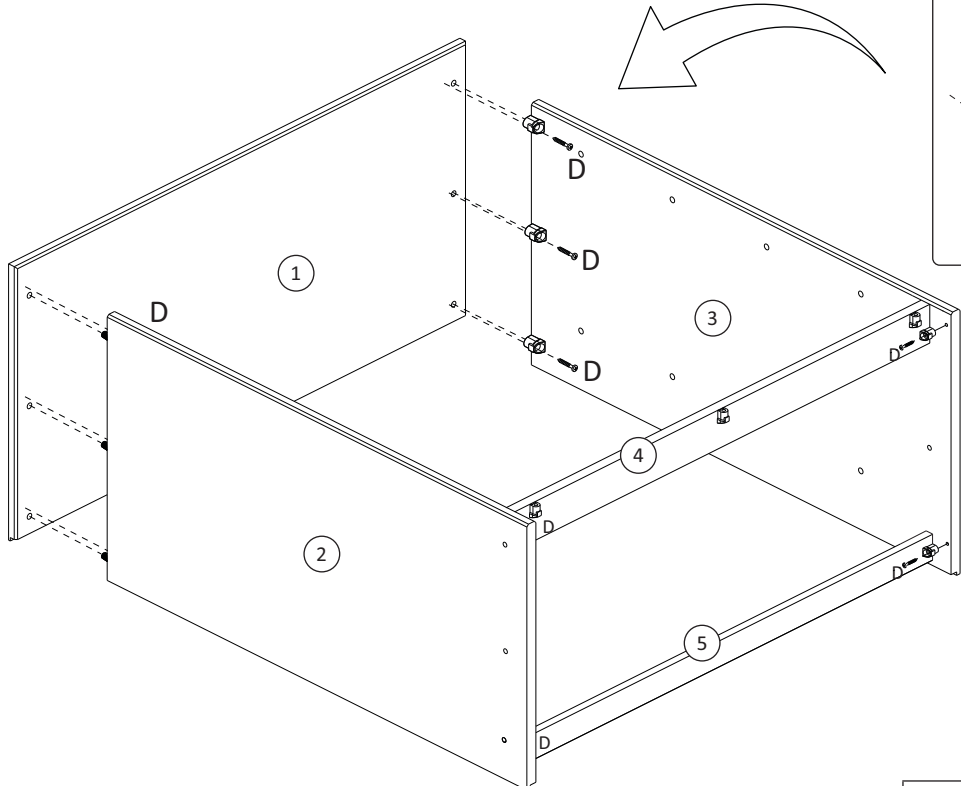
<p>Ax30</p>  <p>$\Phi 8 \times \frac{25}{1.0}$</p>	<p>Ex2</p>  <p>$\Phi M4 \times \frac{22}{0.8}$</p>	<p>Ix29</p> 	<p>Mx16</p>  <p>$\Phi 3.0 \times \frac{30}{0.6}$</p>
<p>Bx8</p> 	<p>Fx28</p>  <p>$3.5 \times \frac{14}{0.6}$</p>	<p>Jx6</p> 	<p>Nx2</p> 
<p>Cx8</p> 	<p>Gx24</p>  <p>$\frac{8 \times 8}{0.3 \times 0.3}$</p>	<p>Kx2</p> 	<p>Ox1</p> 
<p>Dx38</p>  <p>$3.5 \times \frac{25}{0.99}$</p>	<p>Hx12</p>  <p>$3.5 \times \frac{16}{0.6}$</p>	<p>Lx2</p>  <p>18x18 mm</p>	<p>Px1</p>  <p>$\Phi 3.5 \times \frac{22}{0.6}$</p>

1



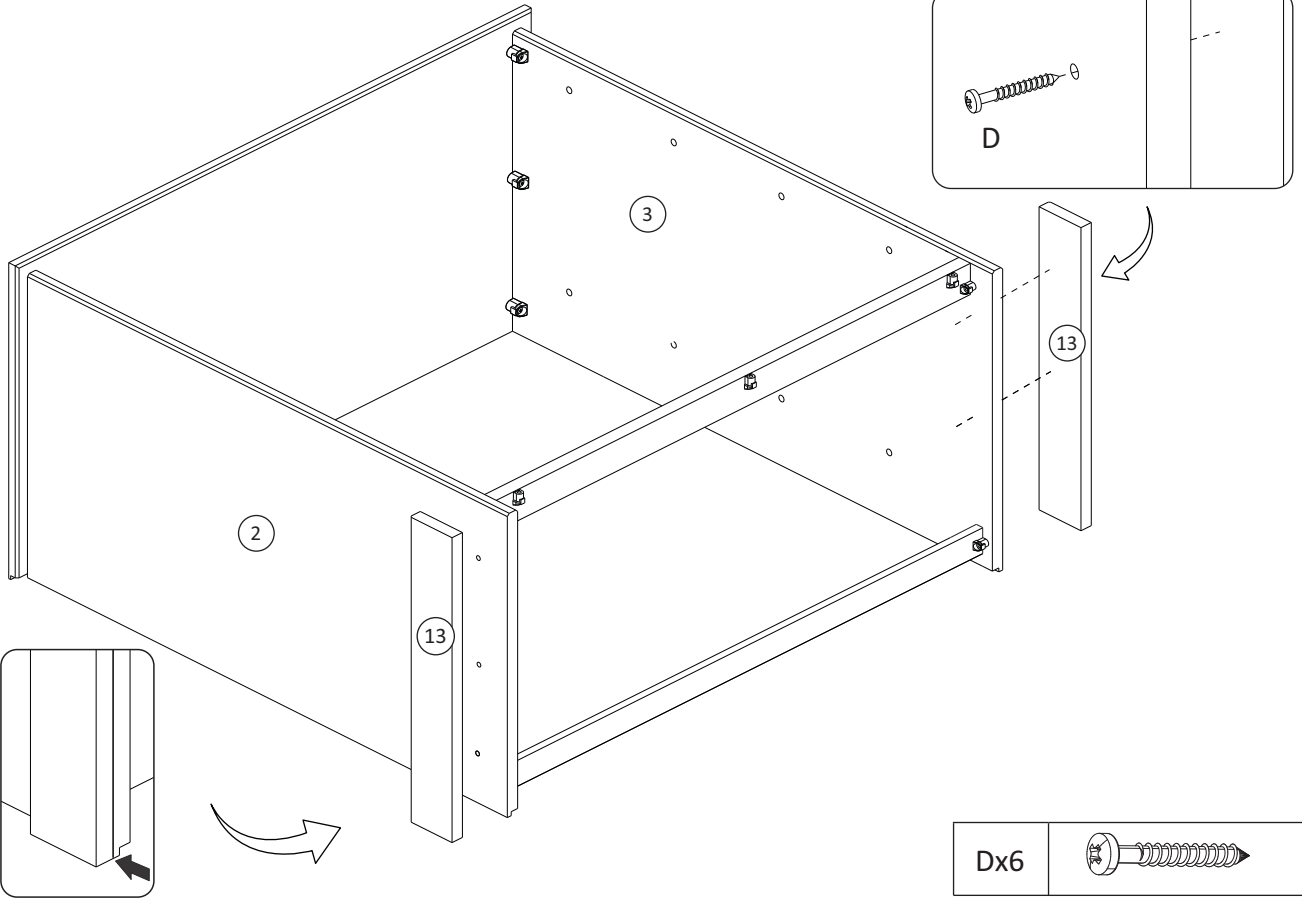
Ax30	
Ix29	

2

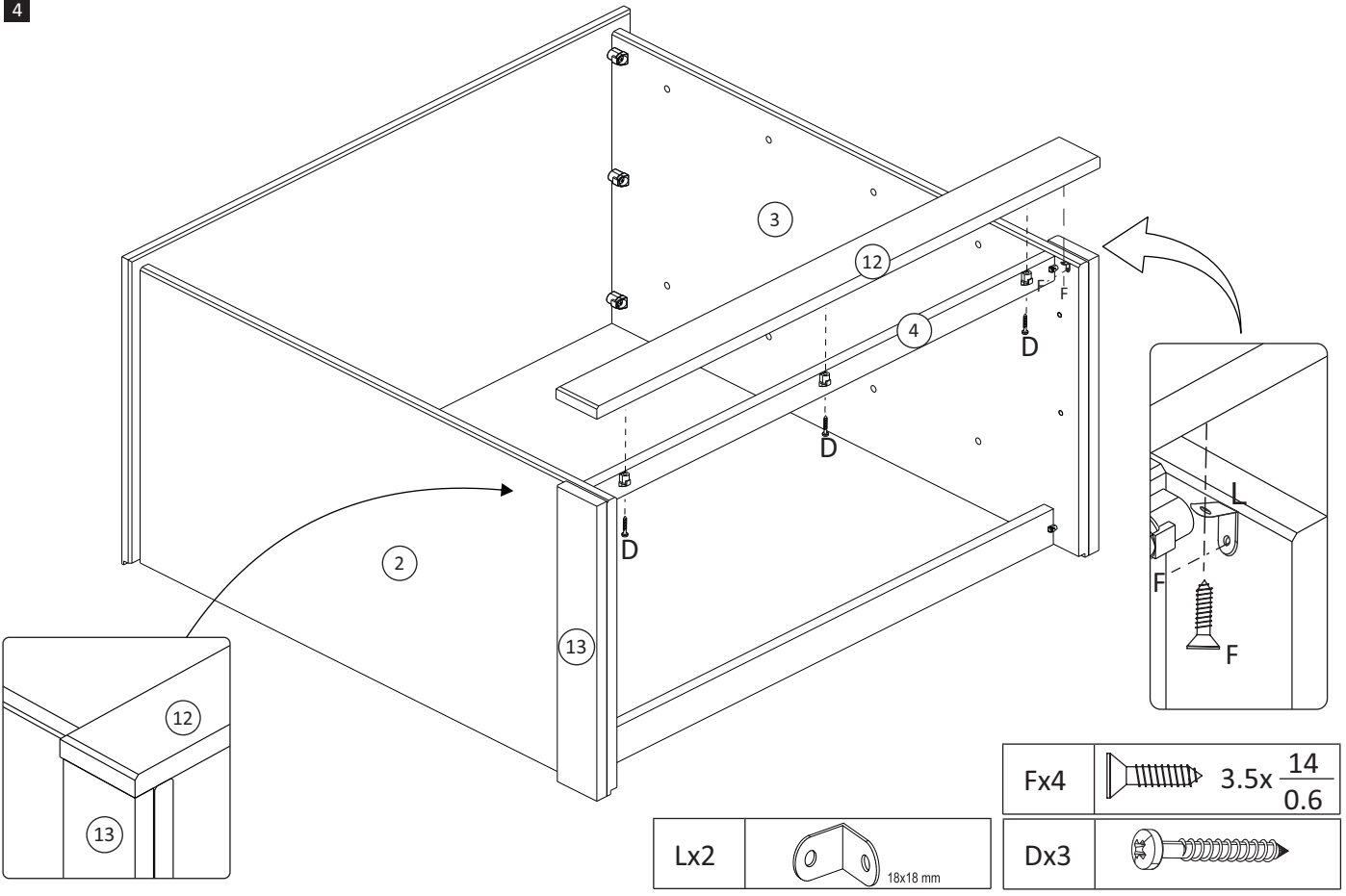


Dx10	
------	--

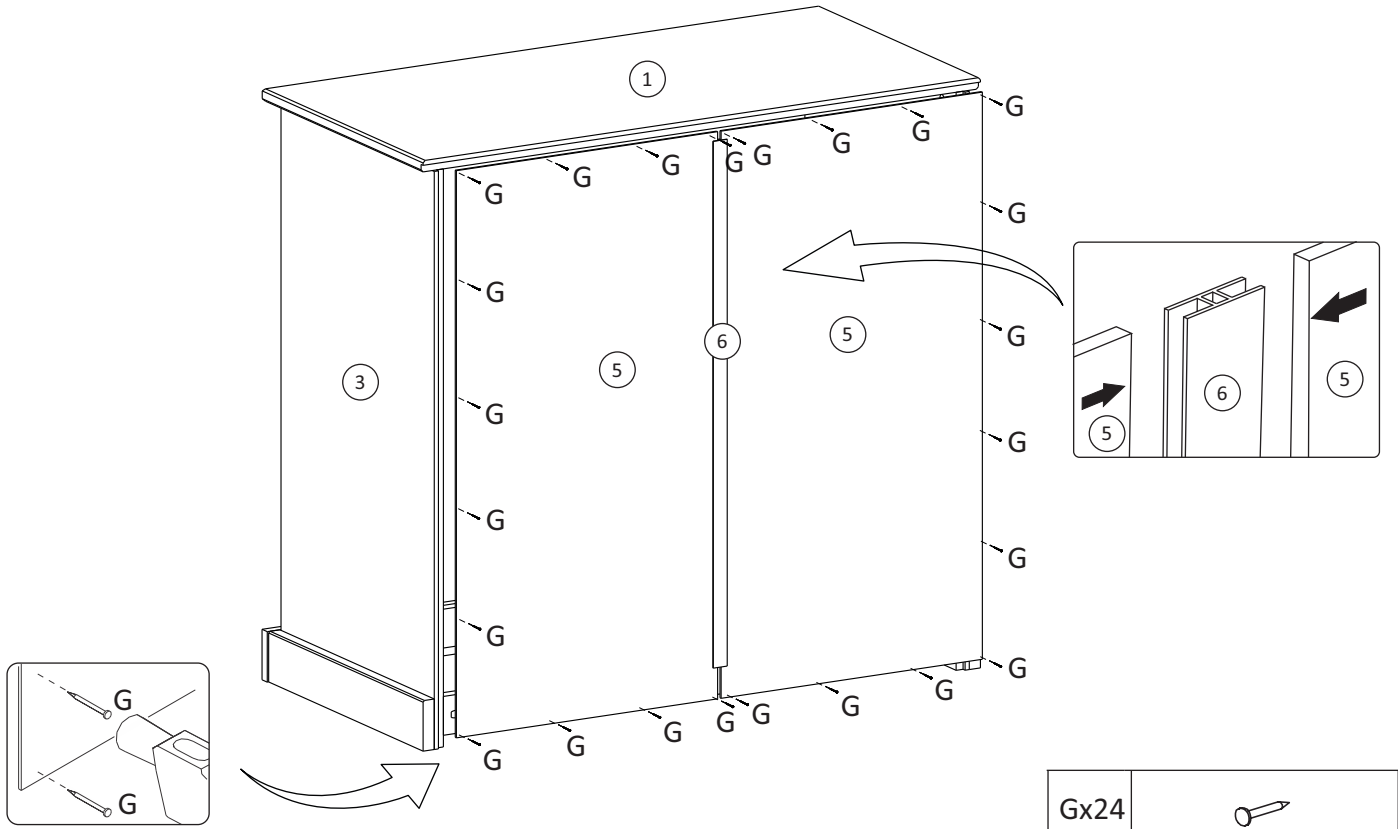
3



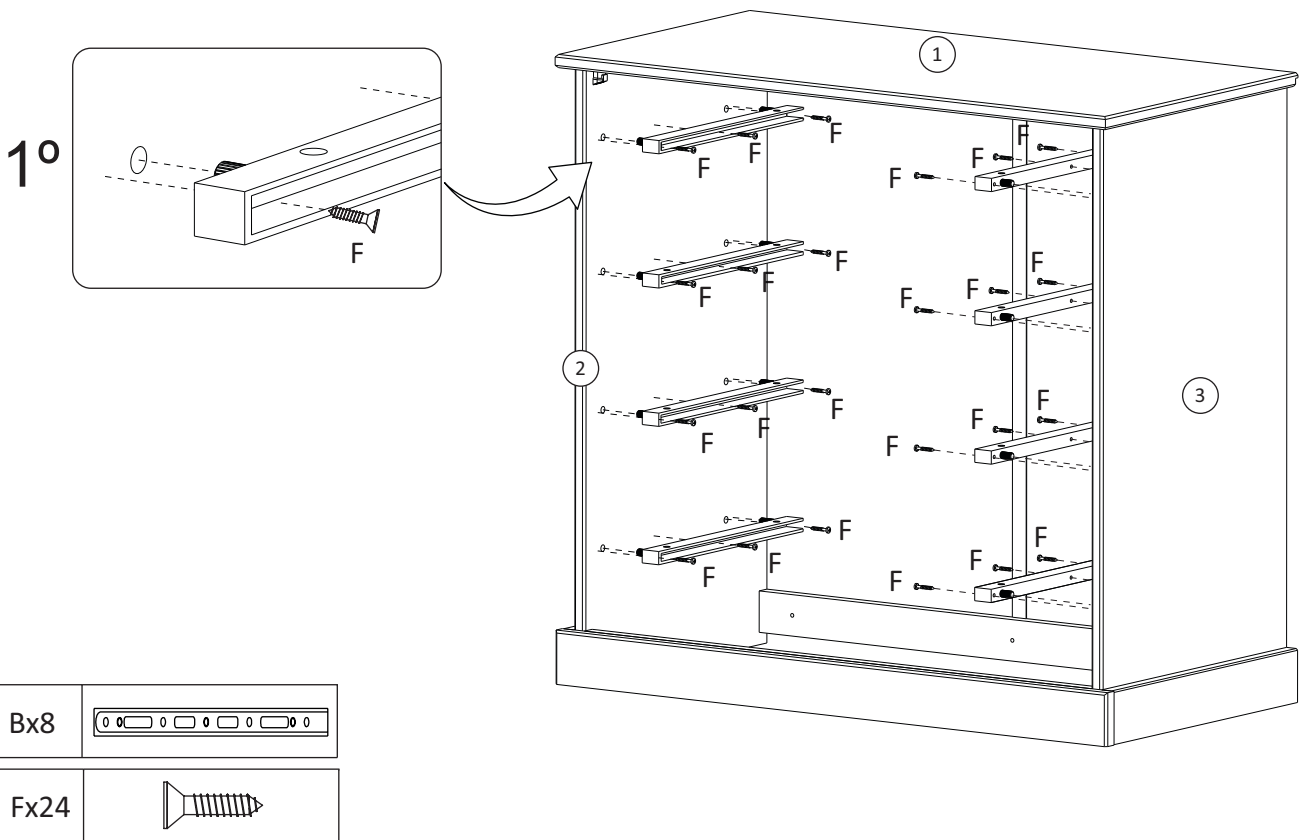
4



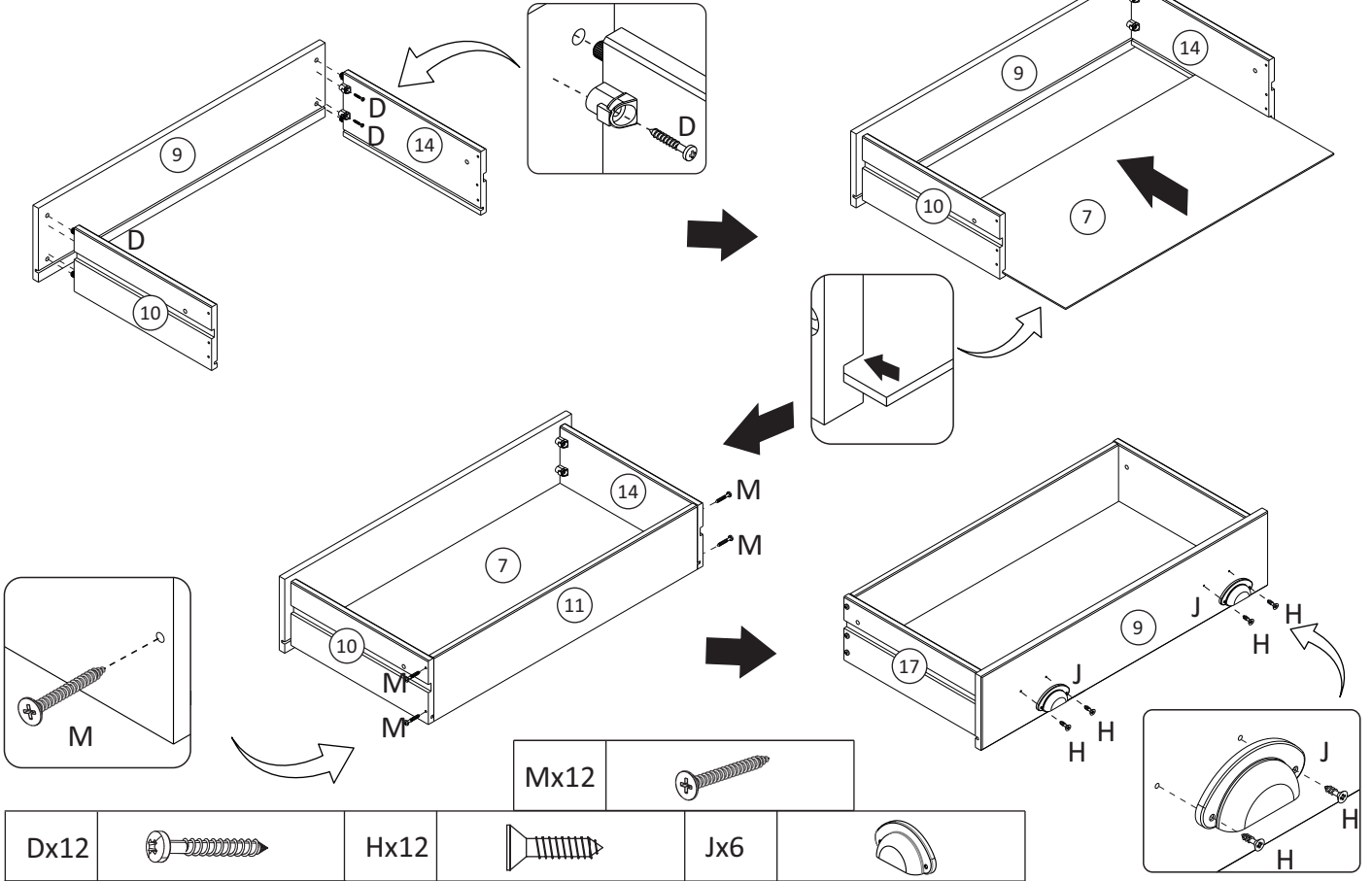
5



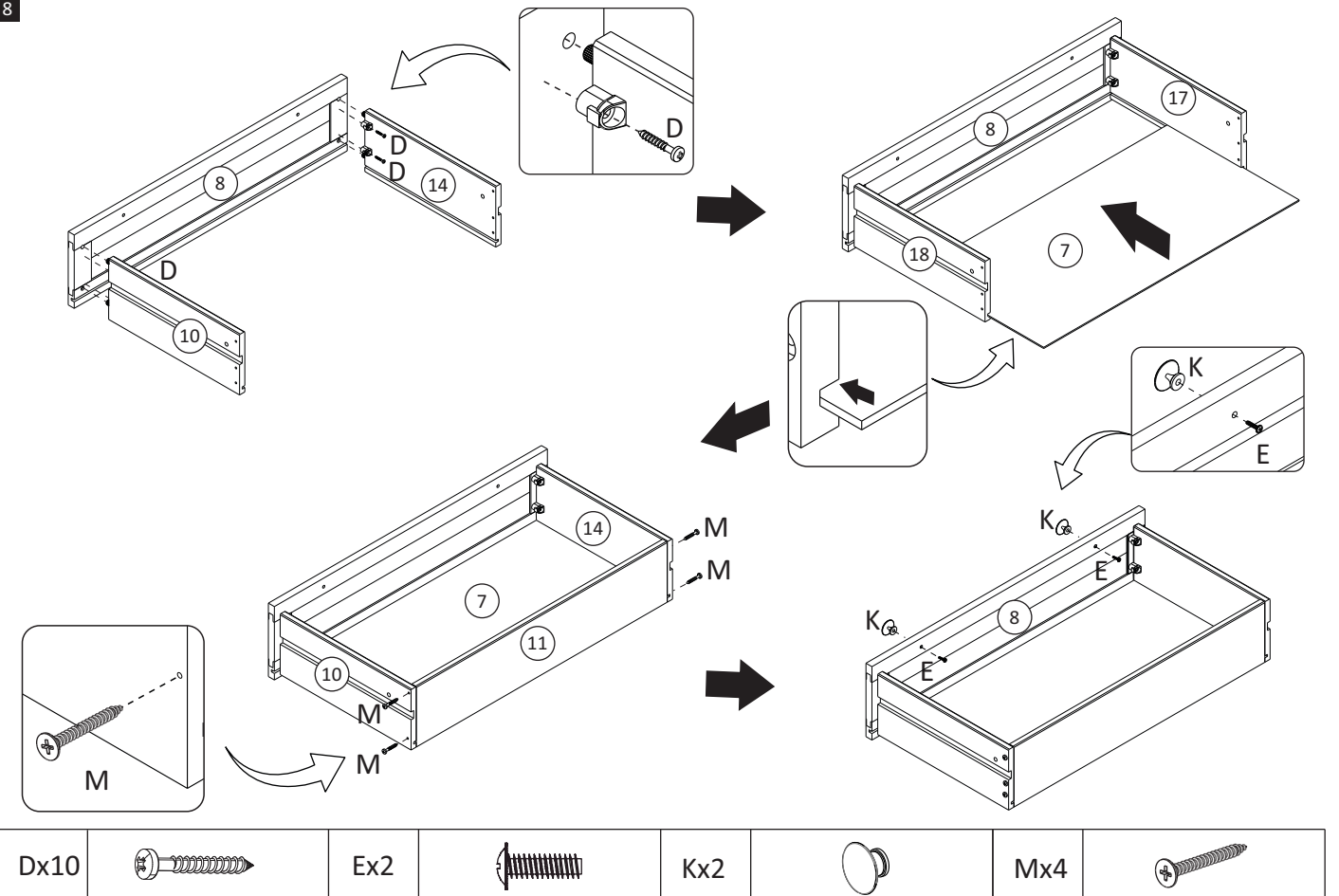
6



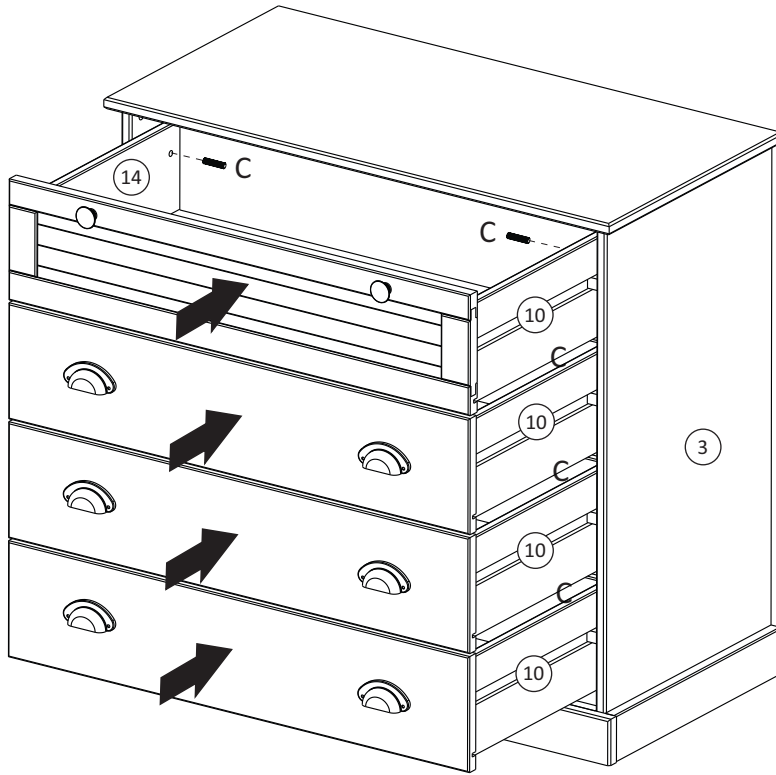
7 3x



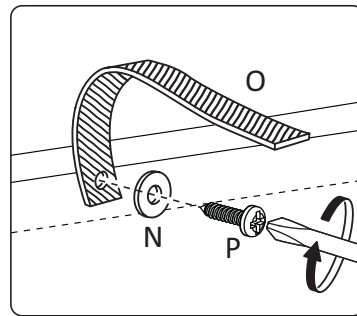
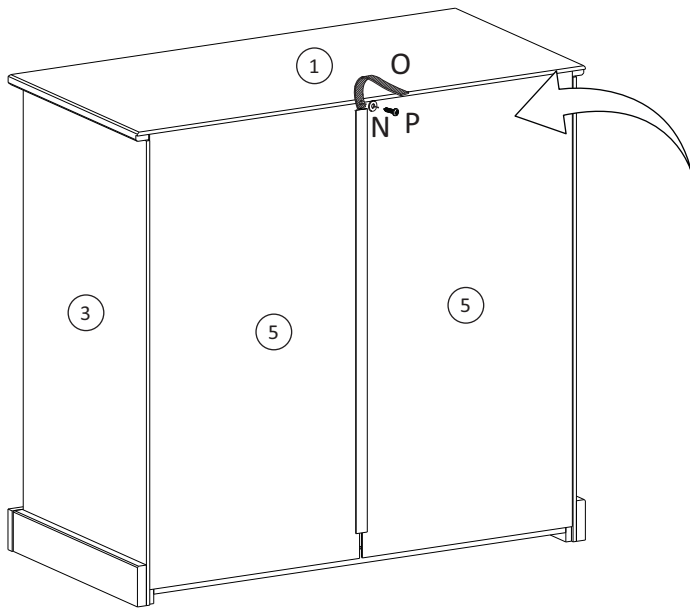
8



9

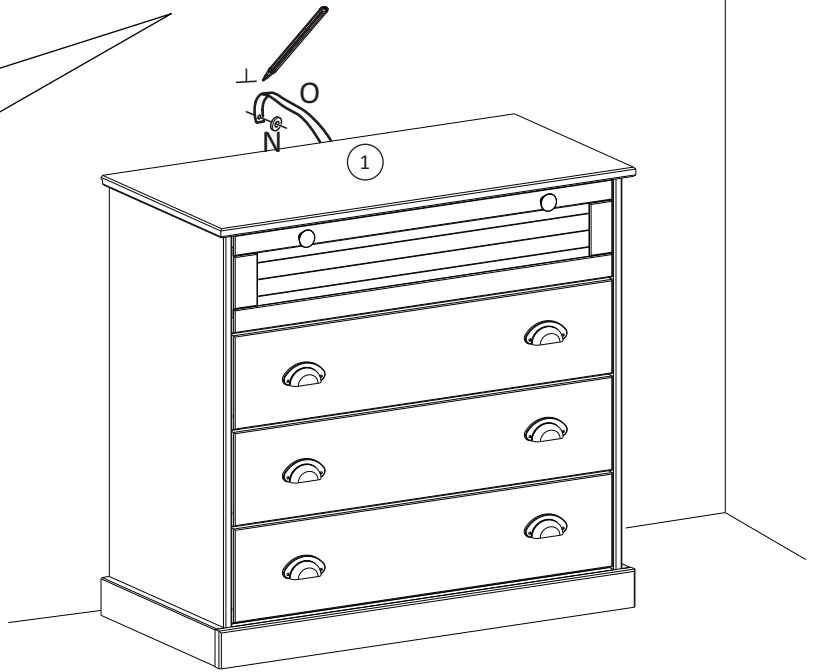
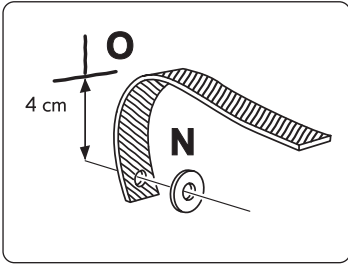
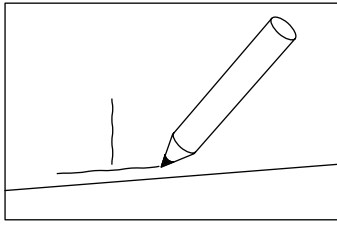
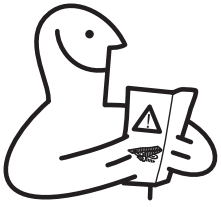


10



Nx1	
Ox1	
Px1	

11



Nx1	
-----	--

12