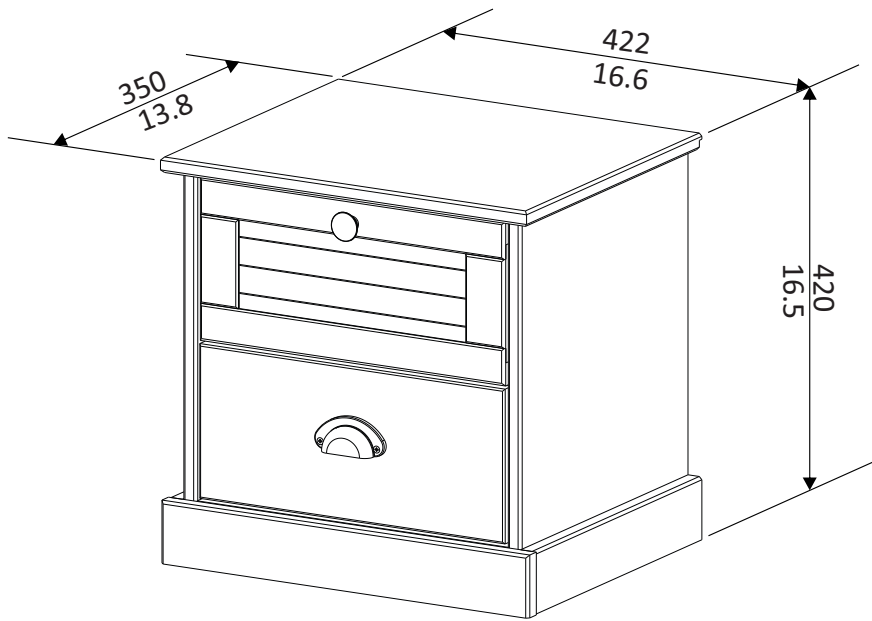
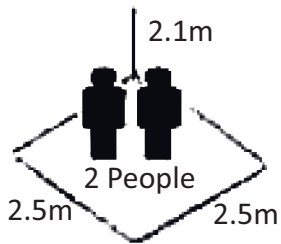


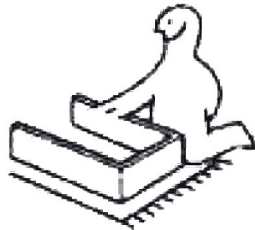
mm
inch



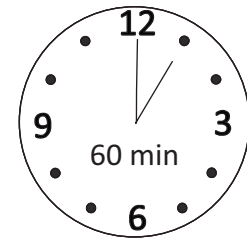
1



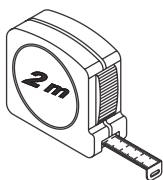
2



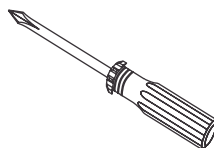
3



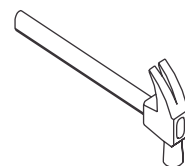
1

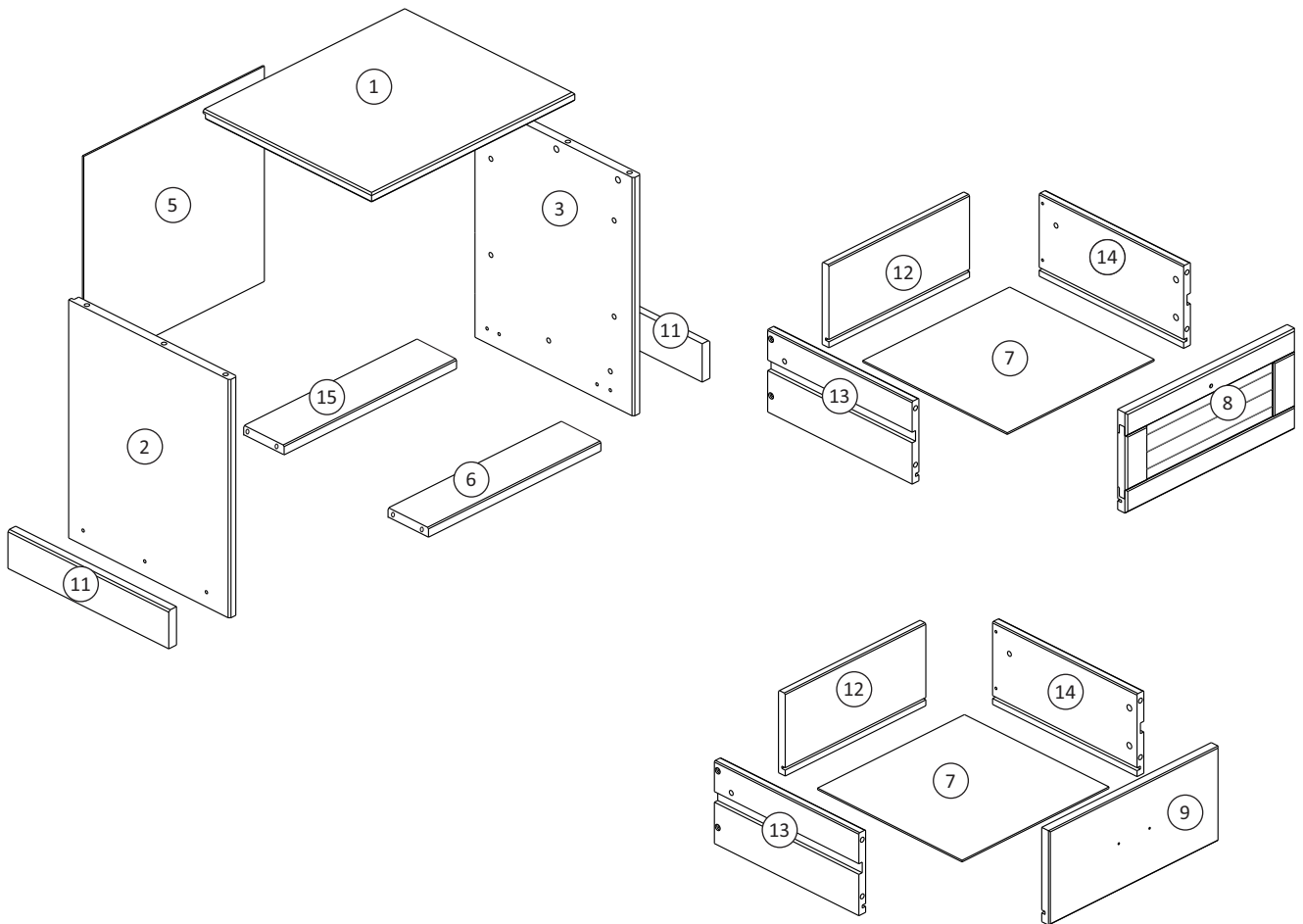



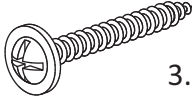
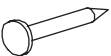

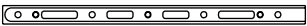

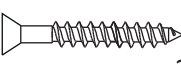

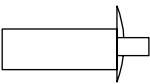

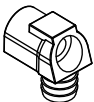
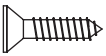
2



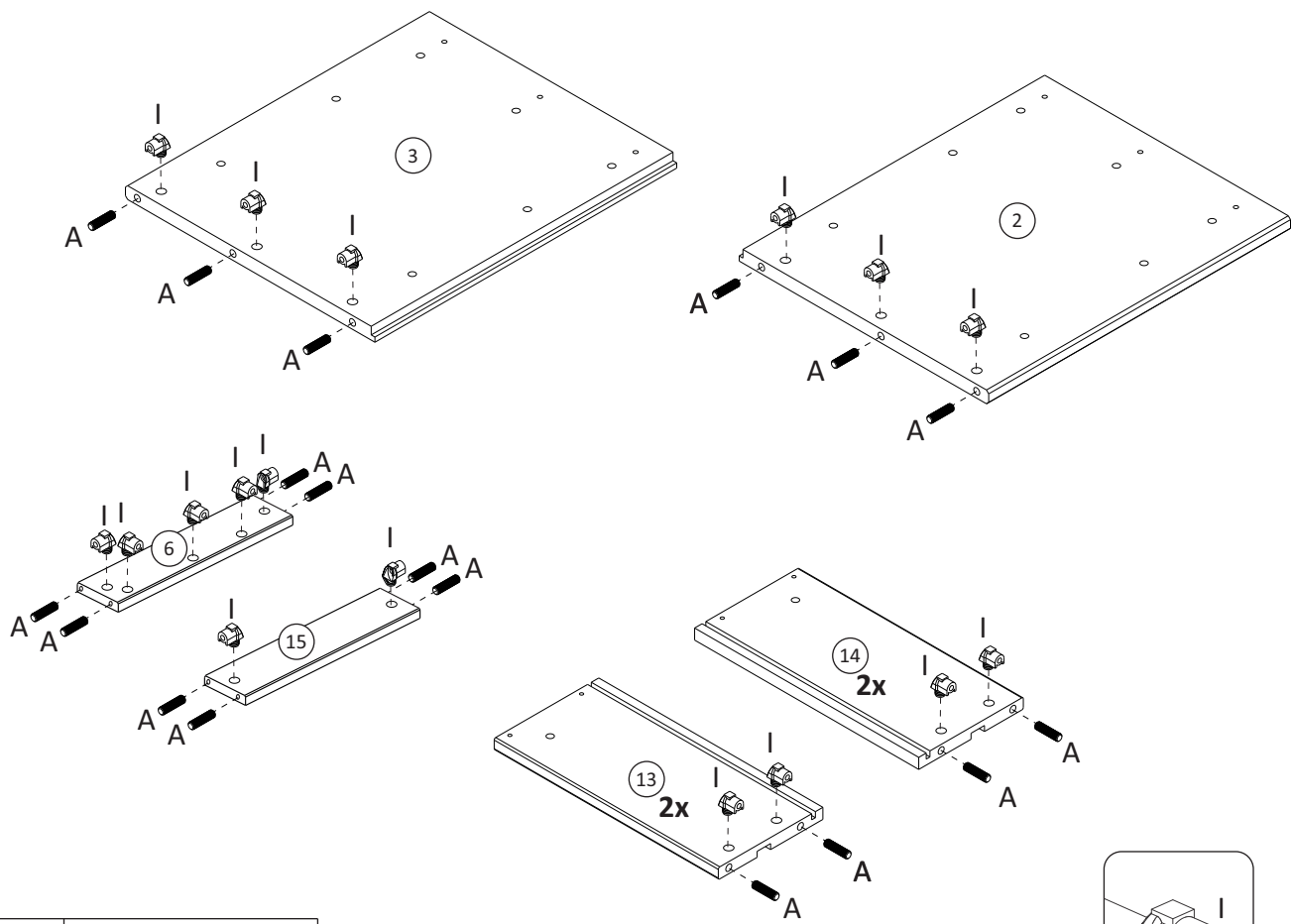
3



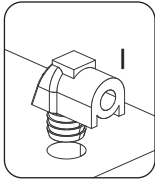


Ax22  $\Phi 8 \times \frac{25}{1.0}$	Dx27  $3.5 \times \frac{25}{0.99}$	Gx14  $\frac{10 \times 10}{0.4 \times 0.4}$	Jx1 
Bx4 	Ex1  $\Phi M4 \times \frac{22}{0.8}$	Hx8  $3.0 \times \frac{30}{1.6}$	Kx1 
Cx4 	Fx12  $3.5 \times \frac{14}{0.6}$	Ix21 	Lx2  $3.5 \times \frac{16}{0.6}$

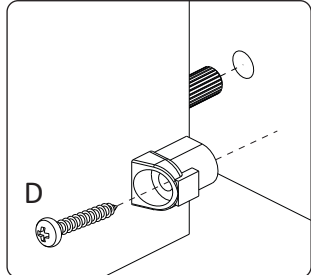
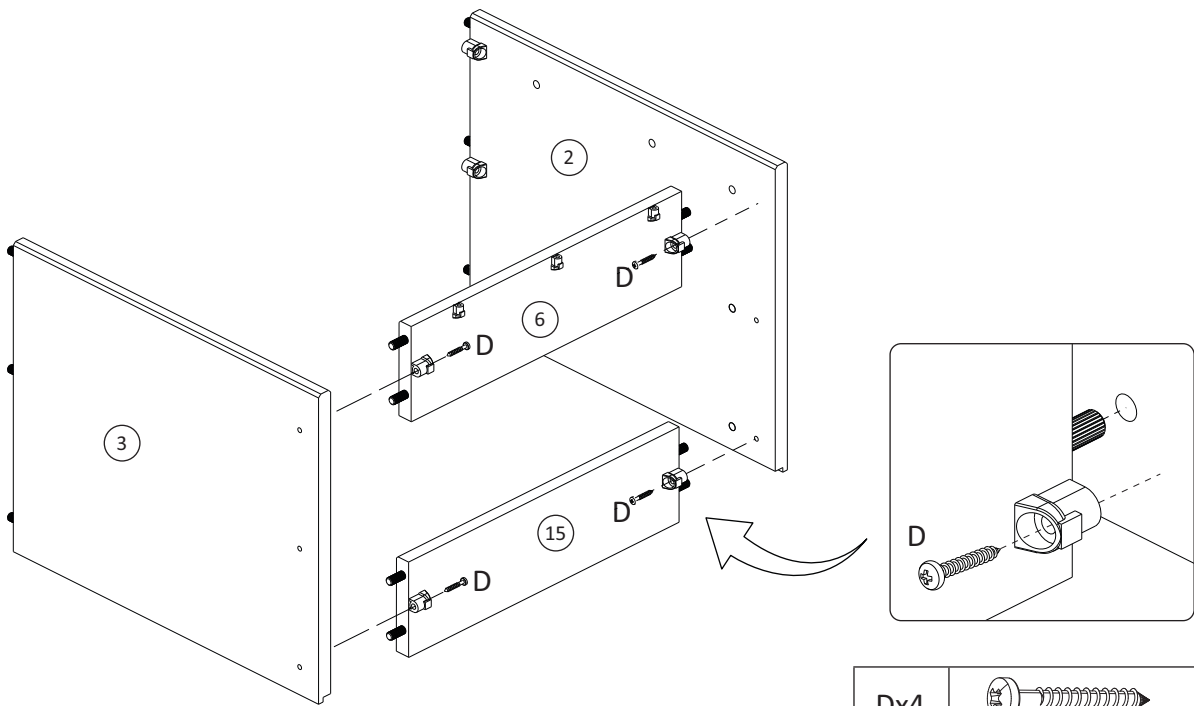
1



Ax22	
Ix21	

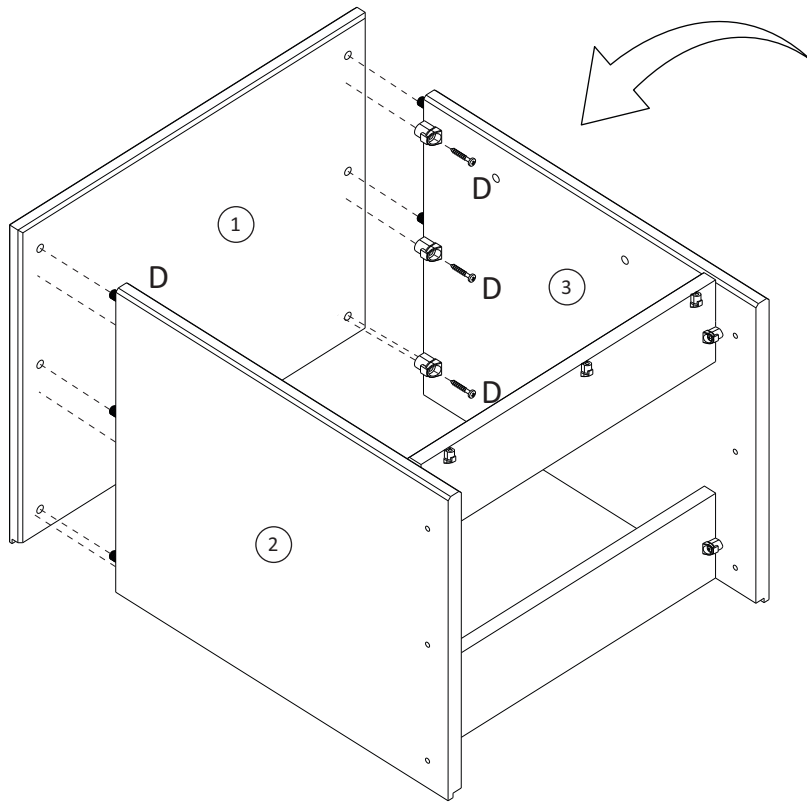


2



Dx4	
-----	--

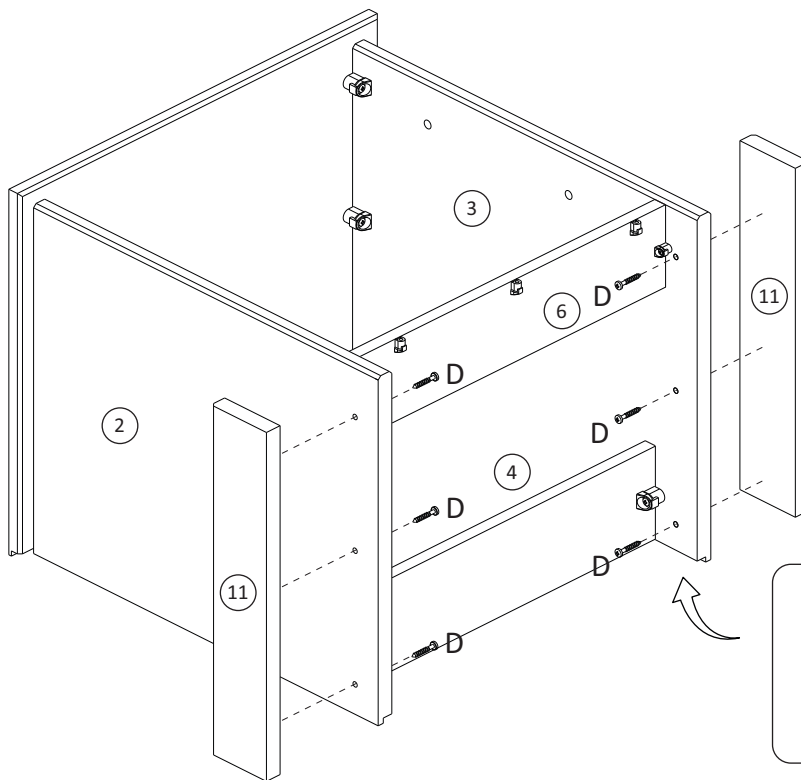
3



Dx6



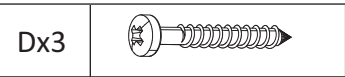
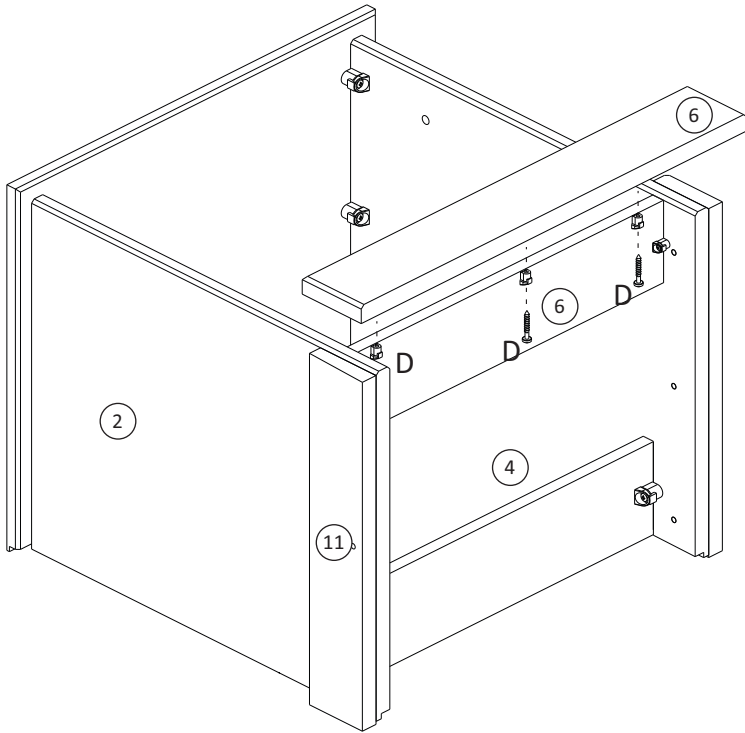
4



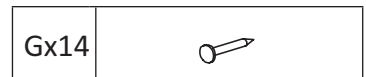
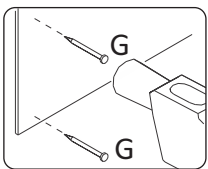
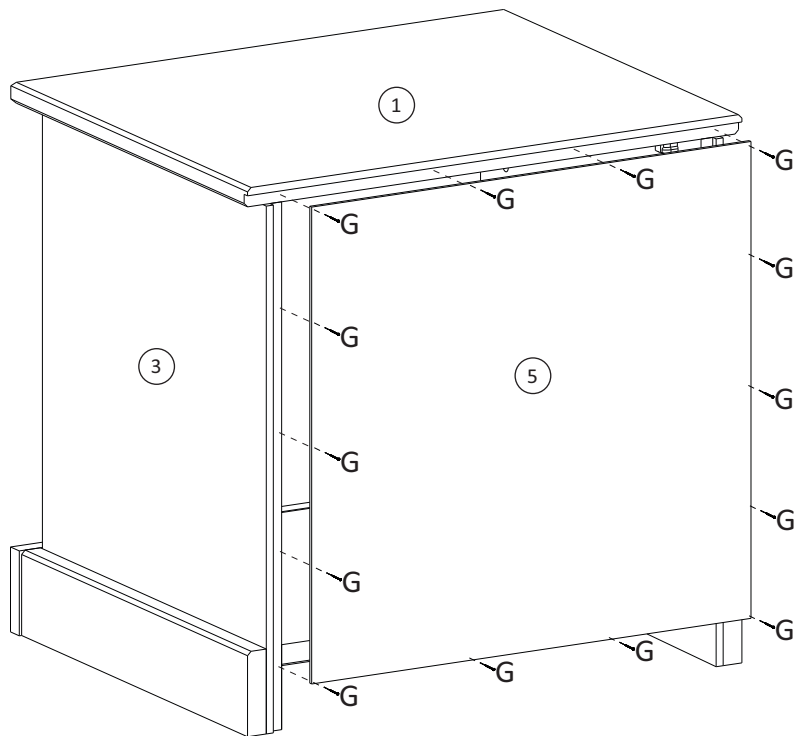
Dx6



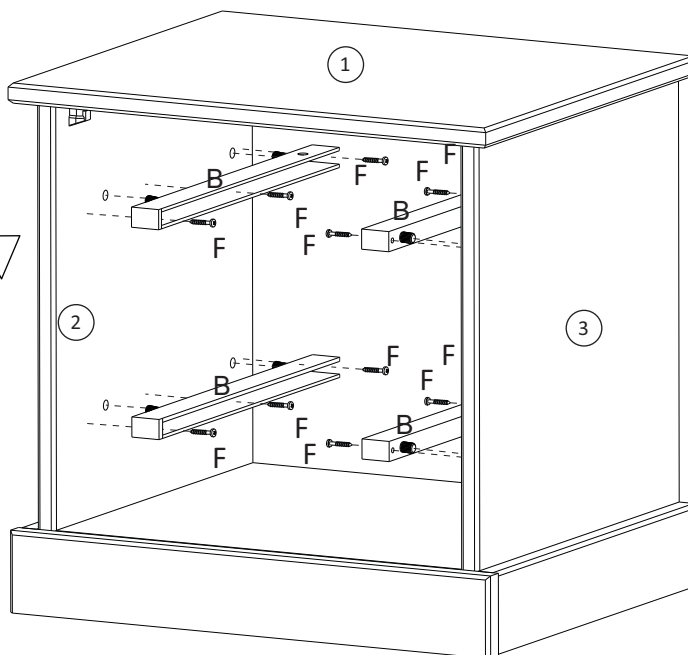
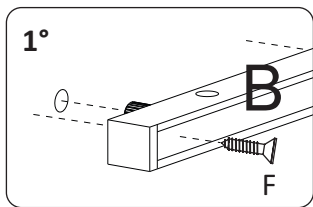
5



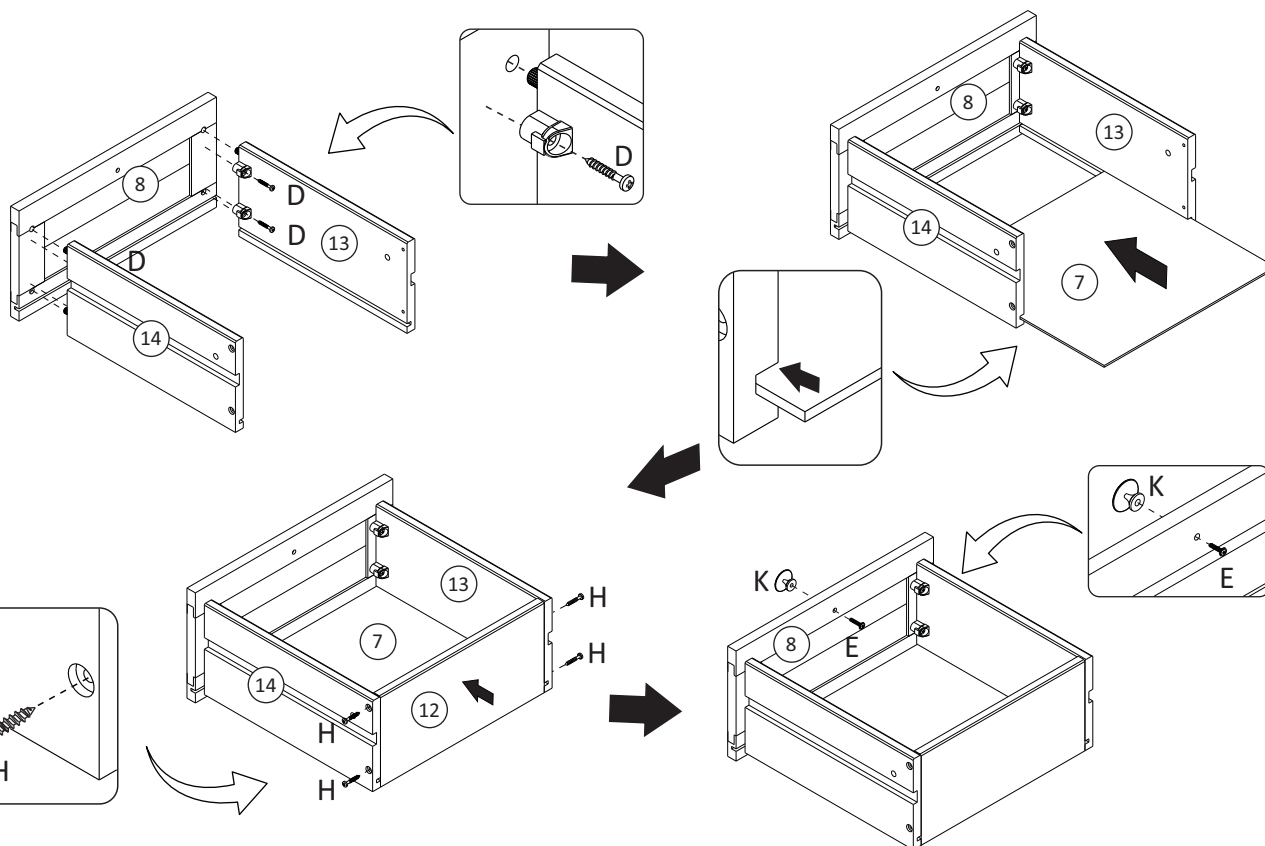
6



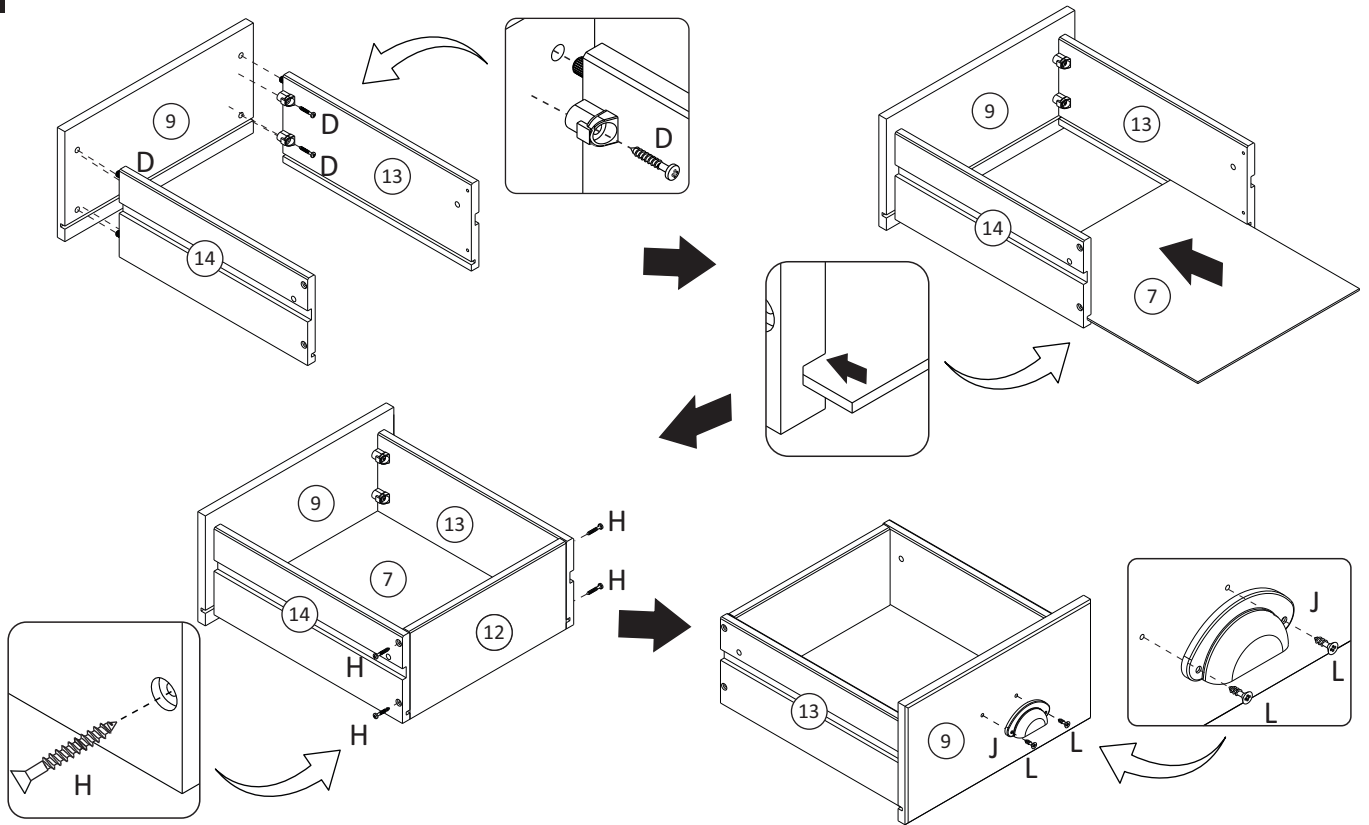
7







8

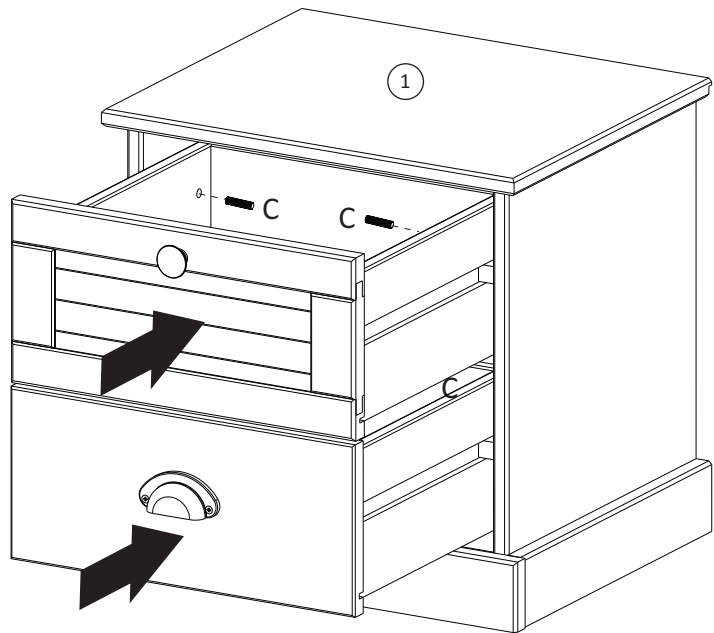


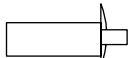
9



Dx4		Lx2		Jx1		Hx4	
-----	---	-----	---	-----	--	-----	---

10



Cx4	
-----	---