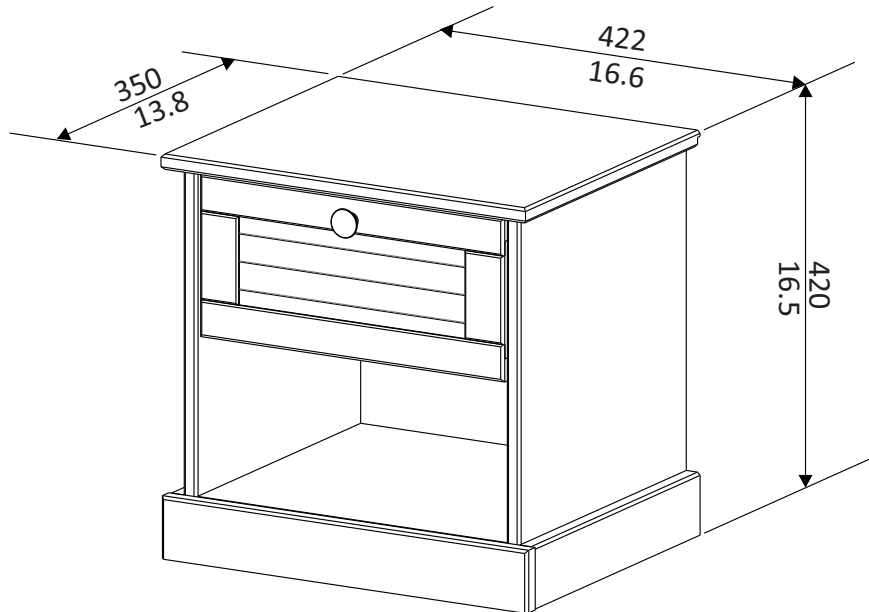
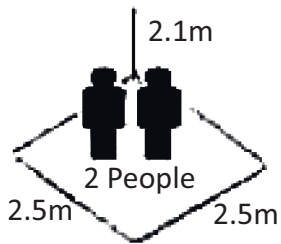


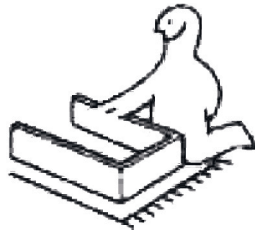
mm
inch



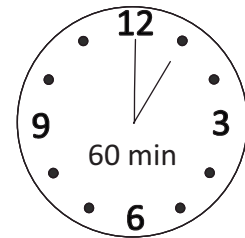
1



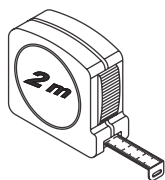
2



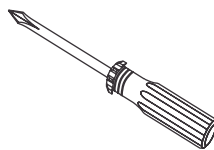
3



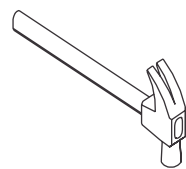
1

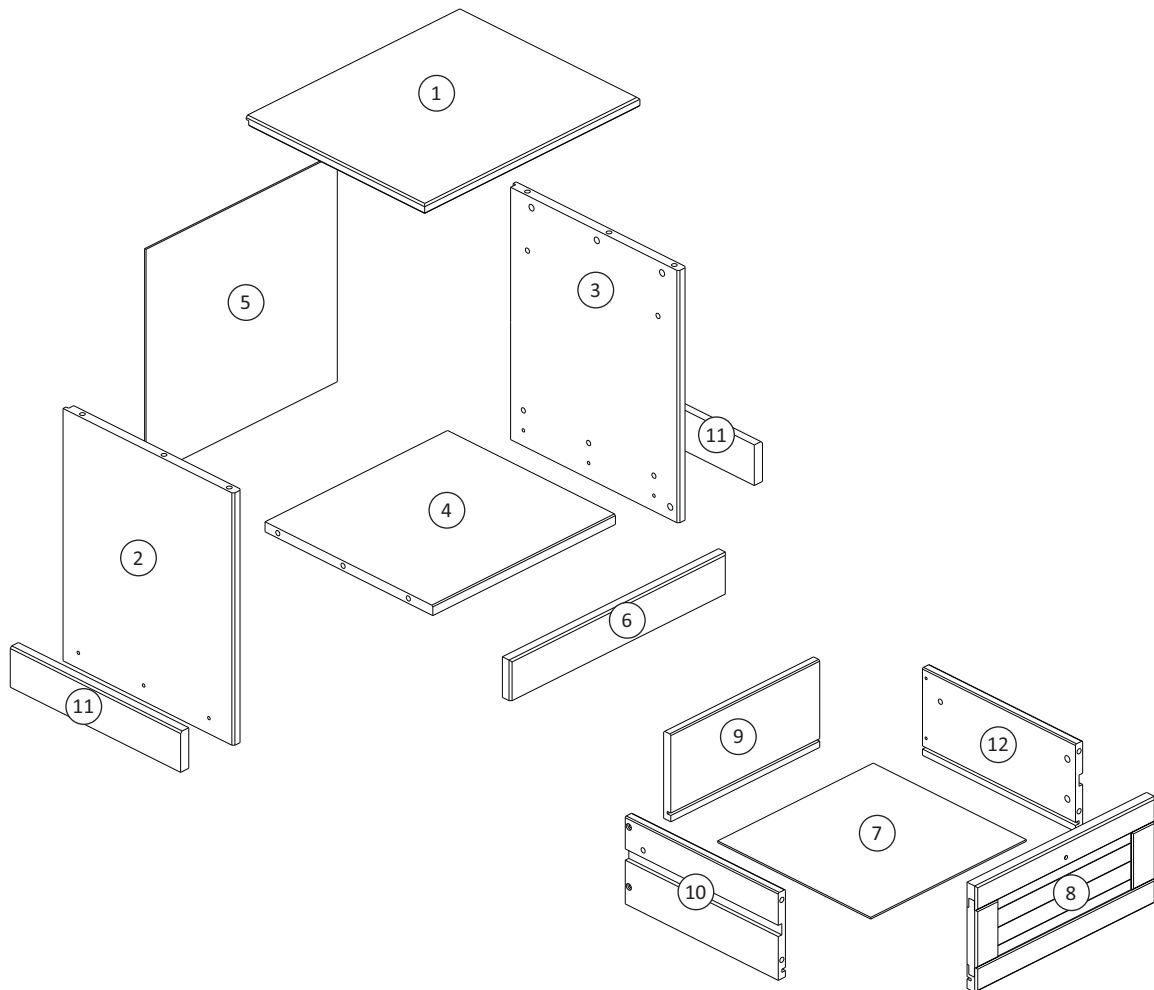



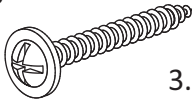
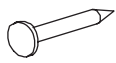
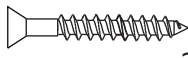




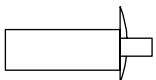
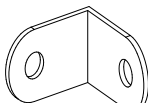
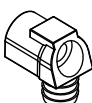
2



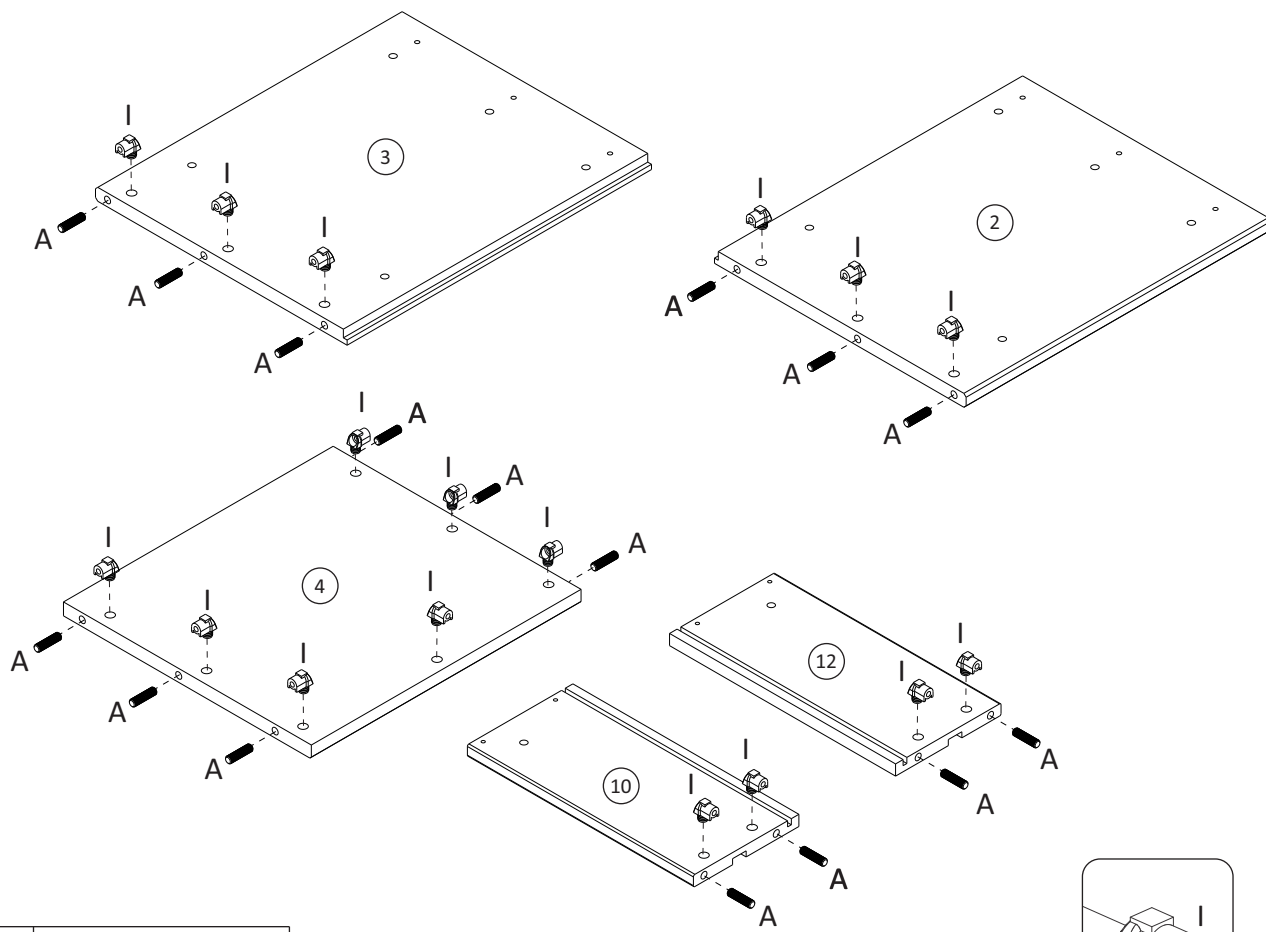
3





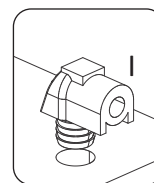


<p>Ax24</p>  <p>$\Phi 8 \times \frac{25}{1.0}$</p>	<p>Dx23</p>  <p>$3.5 \times \frac{25}{0.99}$</p>	<p>Gx14</p>  <p>$\frac{10 \times 10}{0.4 \times 0.4}$</p>	<p>Jx4</p>  <p>$3.0 \times \frac{30}{1.6}$</p>
<p>Bx2</p> 	<p>Ex1</p>  <p>$\Phi M4 \times \frac{22}{0.8}$</p>	<p>Hx10</p>  <p>$3.5 \times \frac{14}{0.6}$</p>	<p>Kx1</p> 
<p>Cx2</p> 	<p>Fx2</p>  <p>18x18 mm</p>	<p>Ix17</p> 	

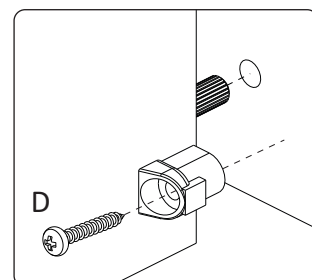
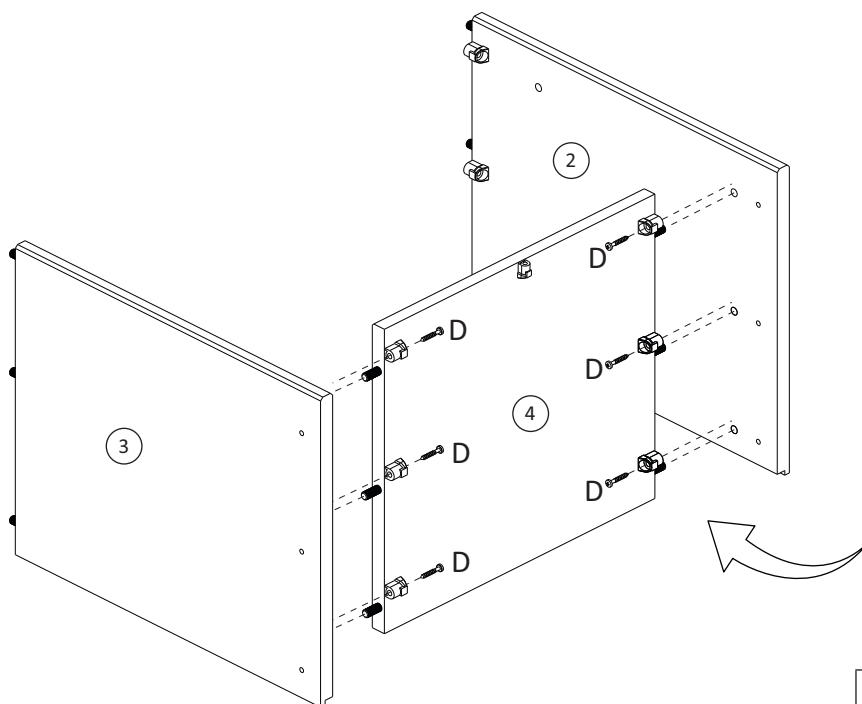
1




Ax16	
Ix17	

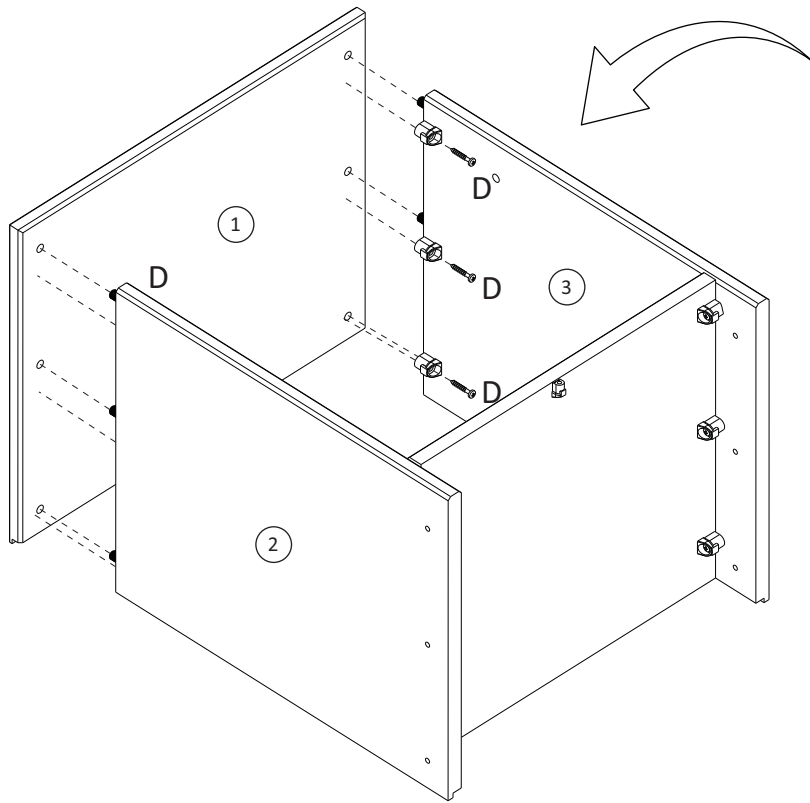


2



Dx6	
-----	---

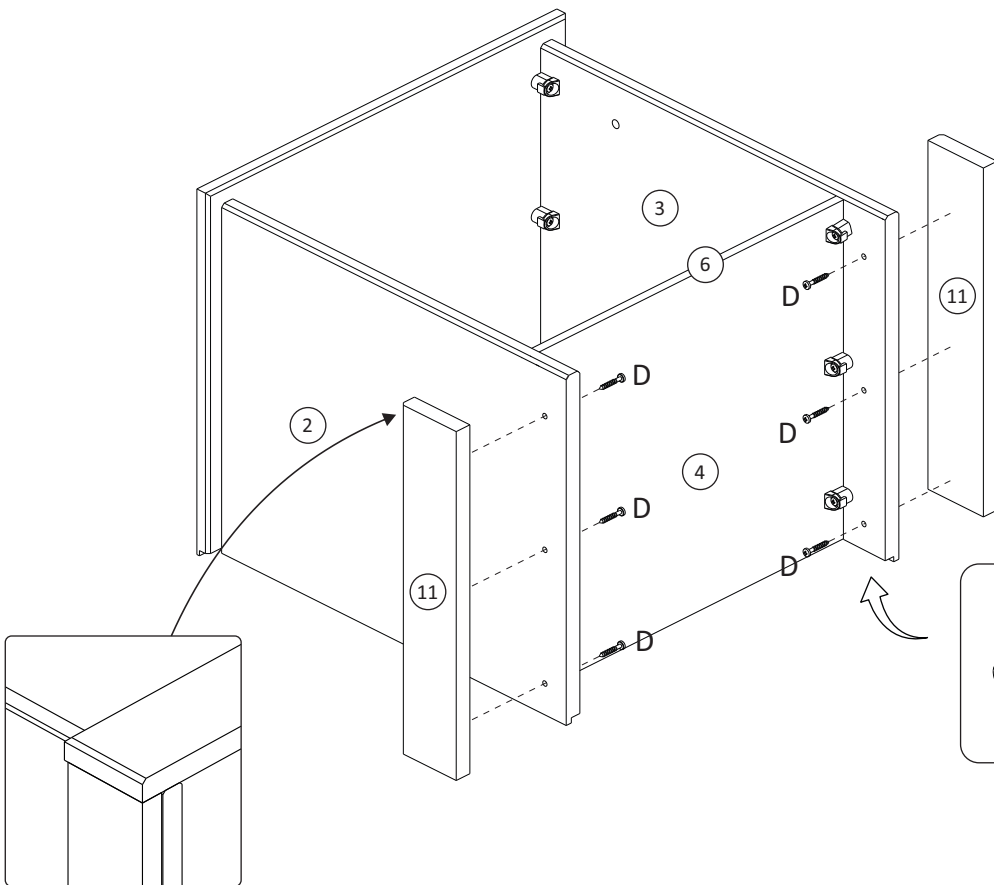
3



Dx6



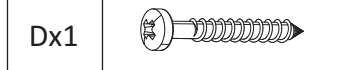
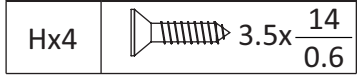
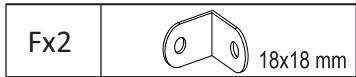
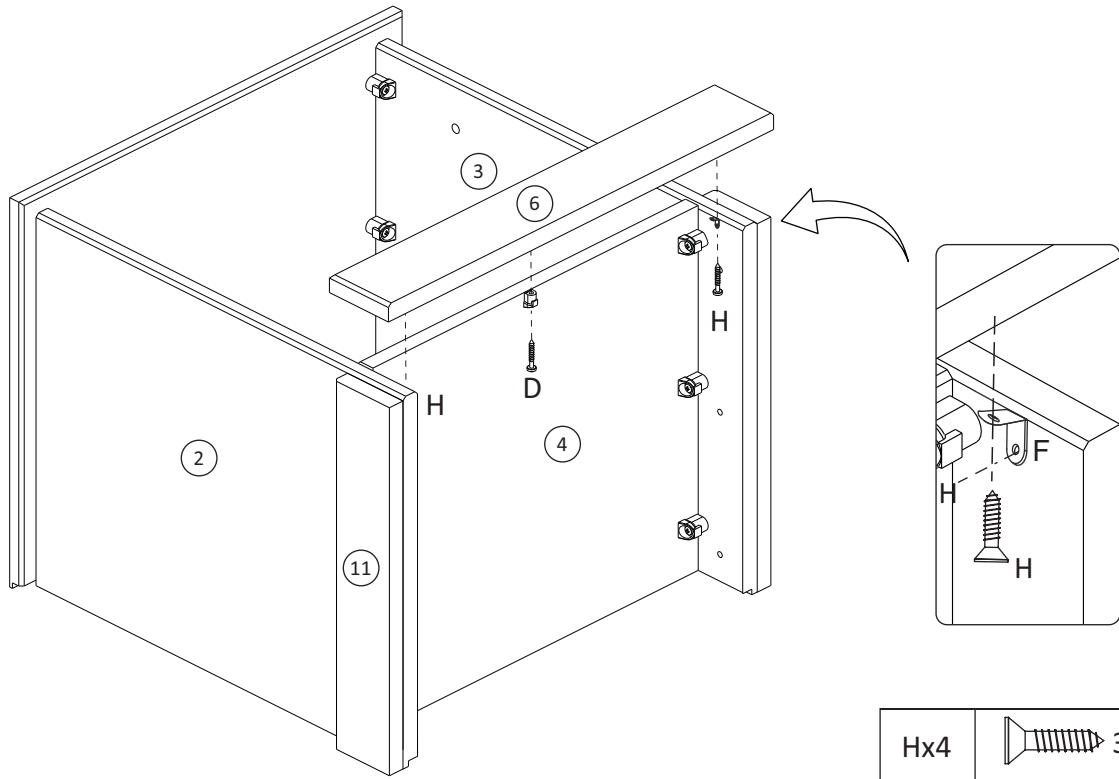
4



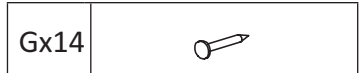
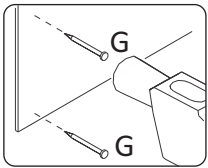
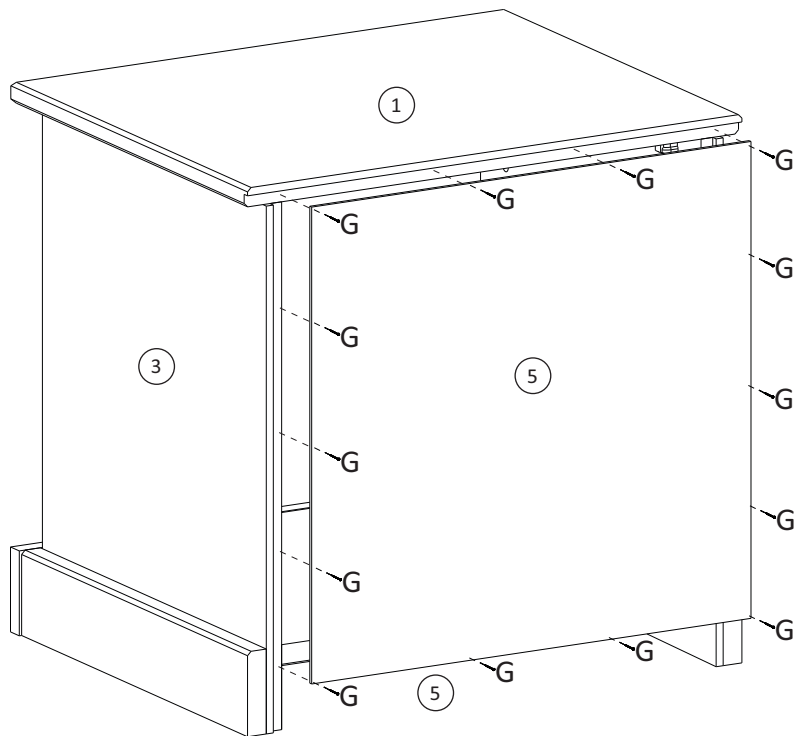
Dx6



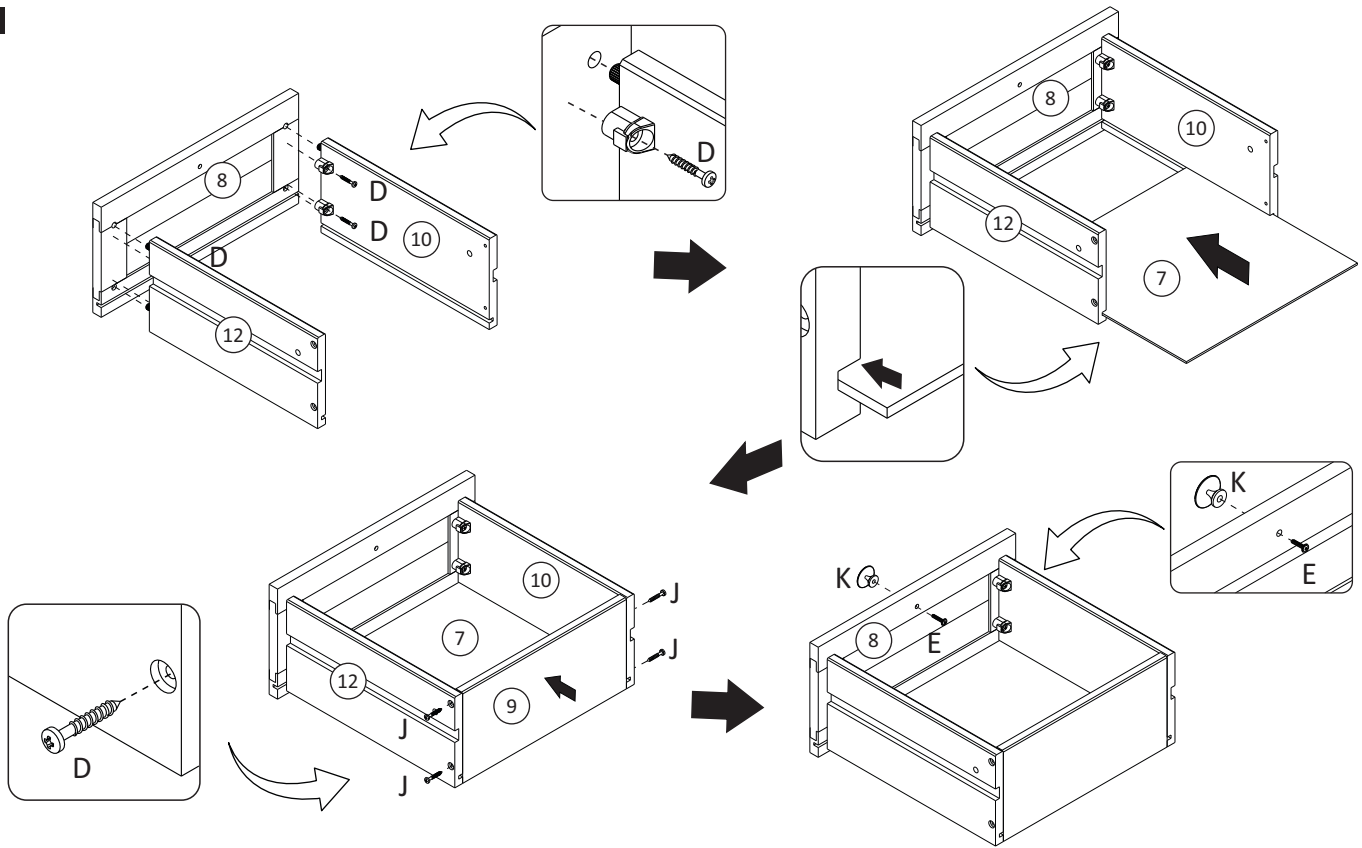
5



6

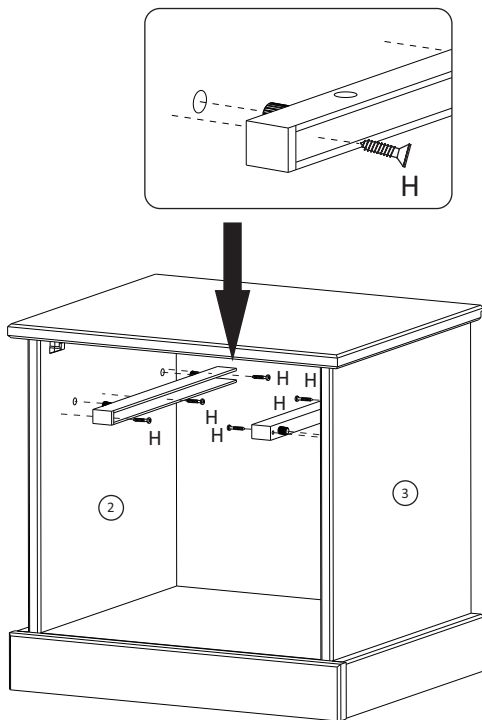


7



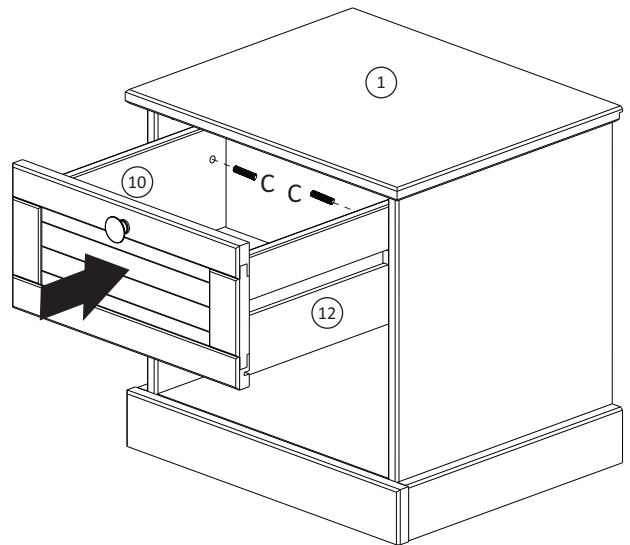
Dx4		Ex1		Kx1		Jx4	
-----	--	-----	--	-----	--	-----	--

8



Hx6		Bx2	
-----	--	-----	--

9



Cx2	
-----	--