

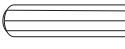











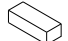
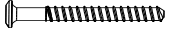

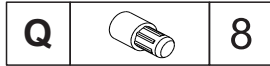
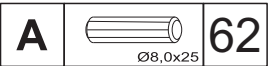
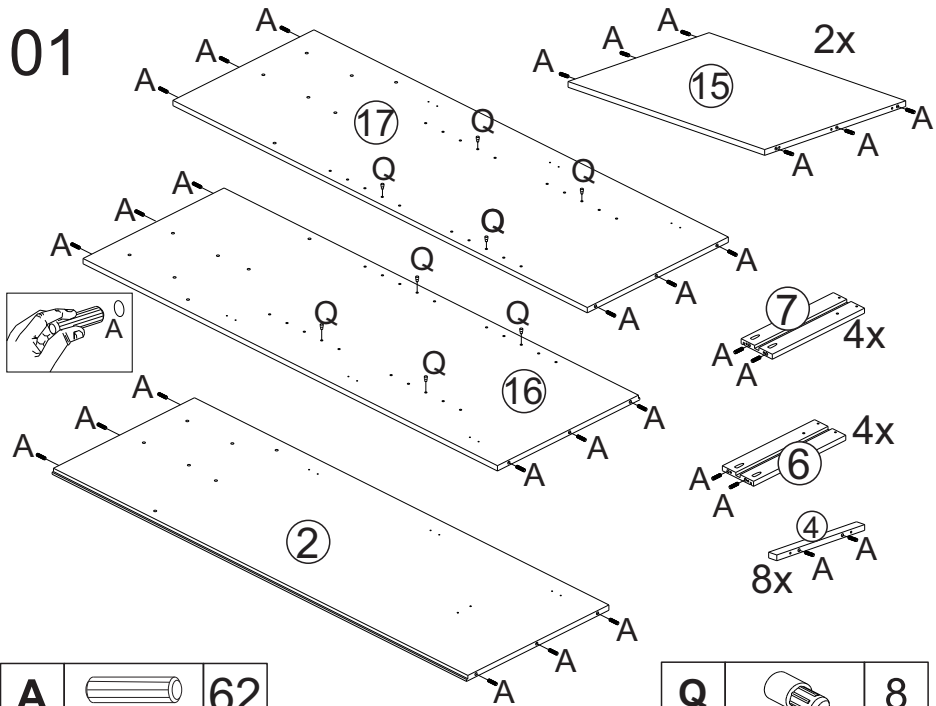
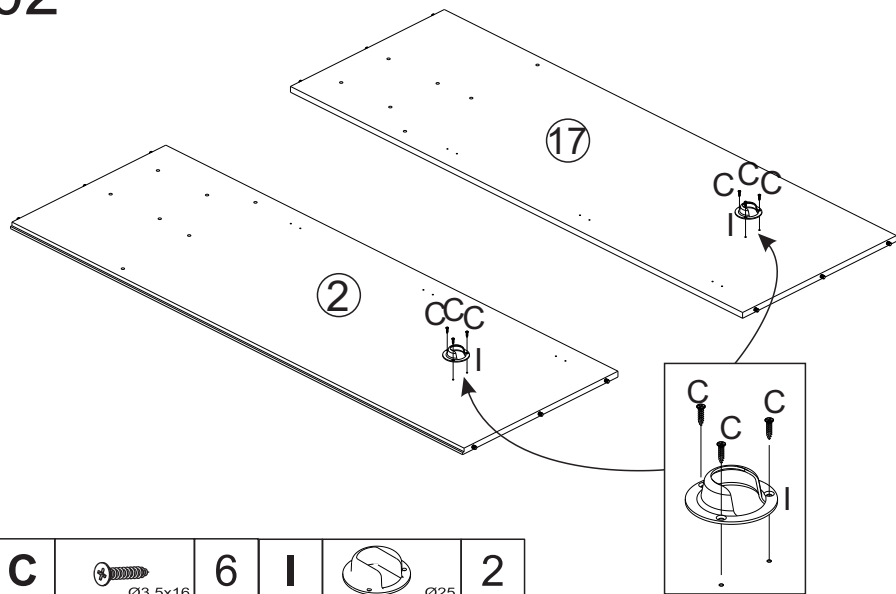


A	 Ø8,0x25	70	I	 Ø25	02
B	 Ø8,0x40	08	J		08
C	 Ø3,5x16	55	K		08
D	 Ø3,5x30	52	L	 Ø3,5x14	32
E	 Ø3,5x35	34	M	 8x8	92
F		01	N		04
G		12	O	 2x	01
H		01	P	 7.0 x 60	05
			Q		08

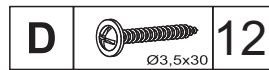
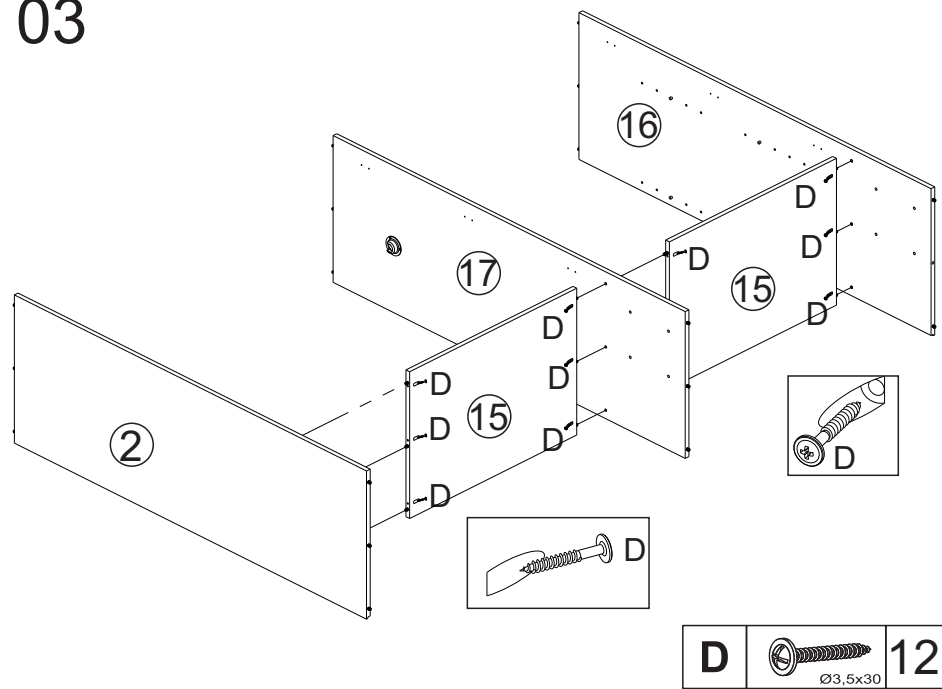
01



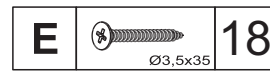
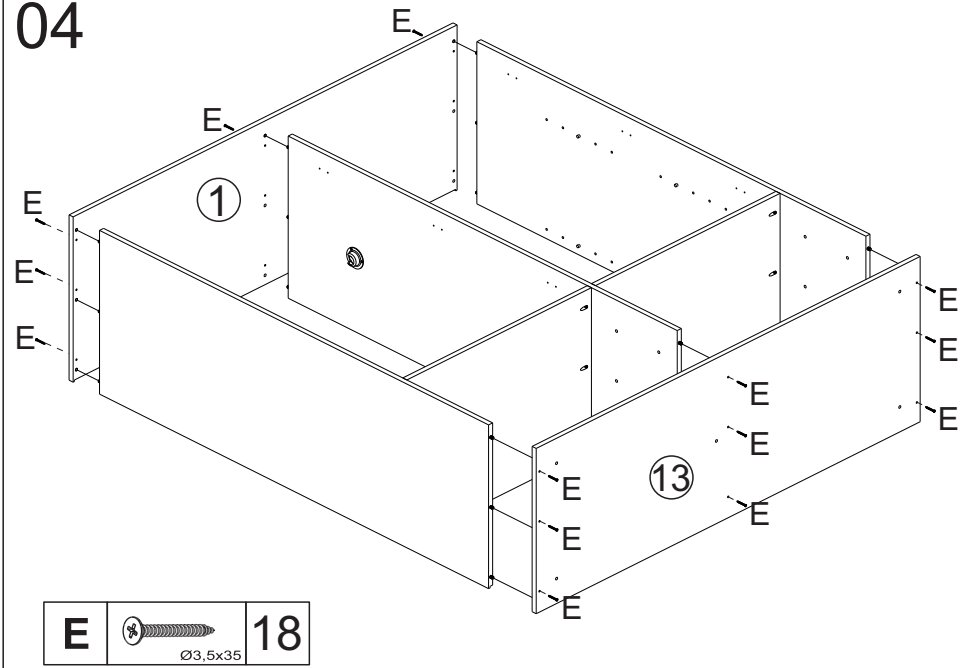
02



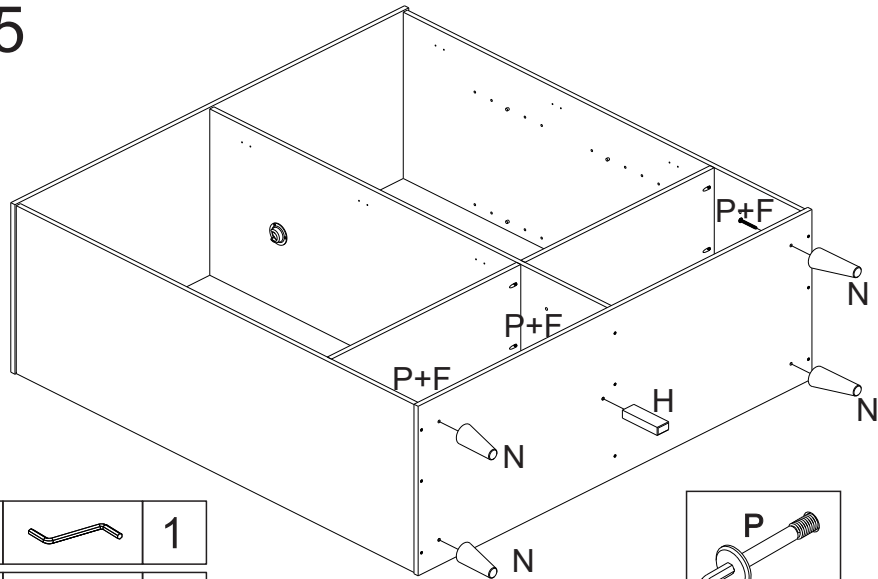
03



04

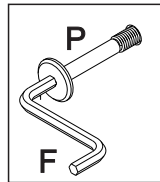


05

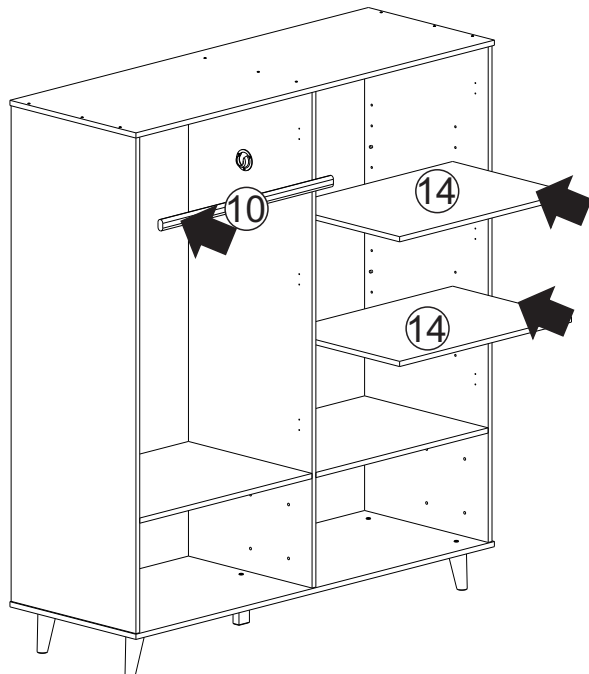
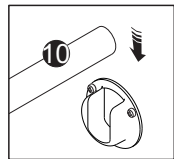


F		1
H		1
P		4
N		4

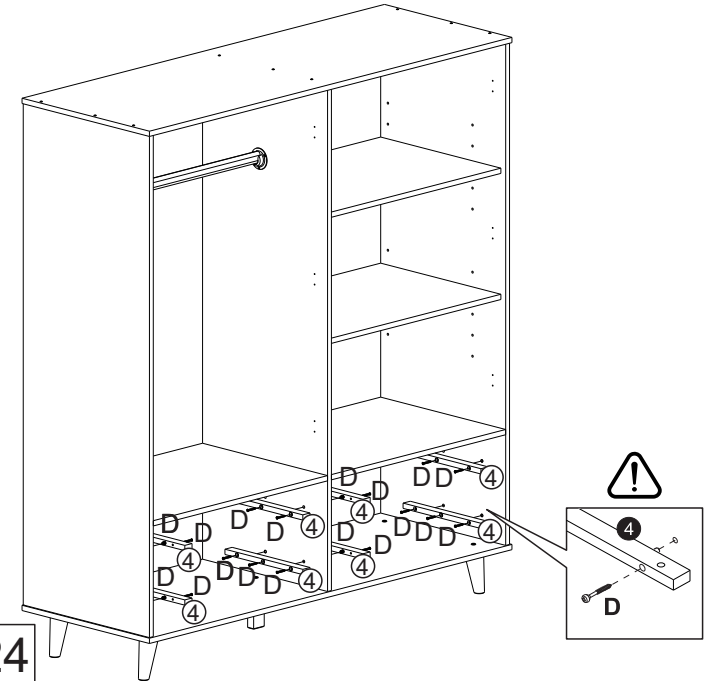
7.0 x 90



06



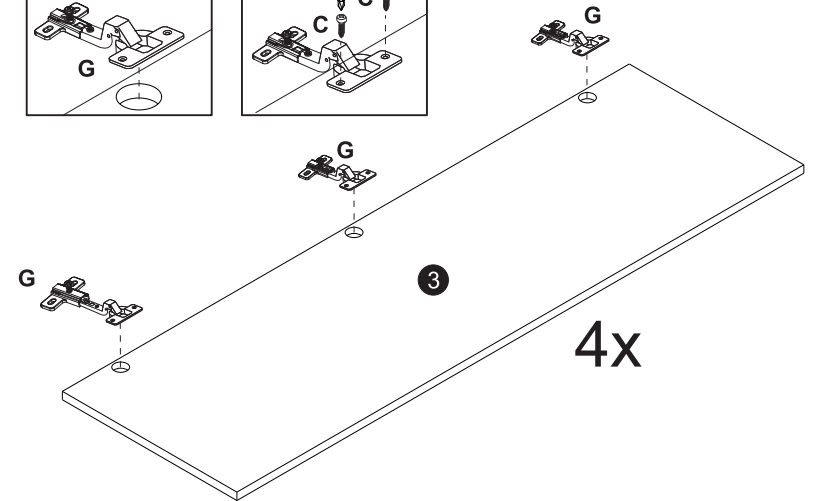
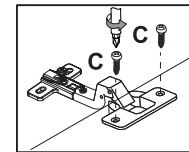
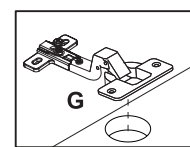
07



D		24
----------	--	----

Ø3,5x35

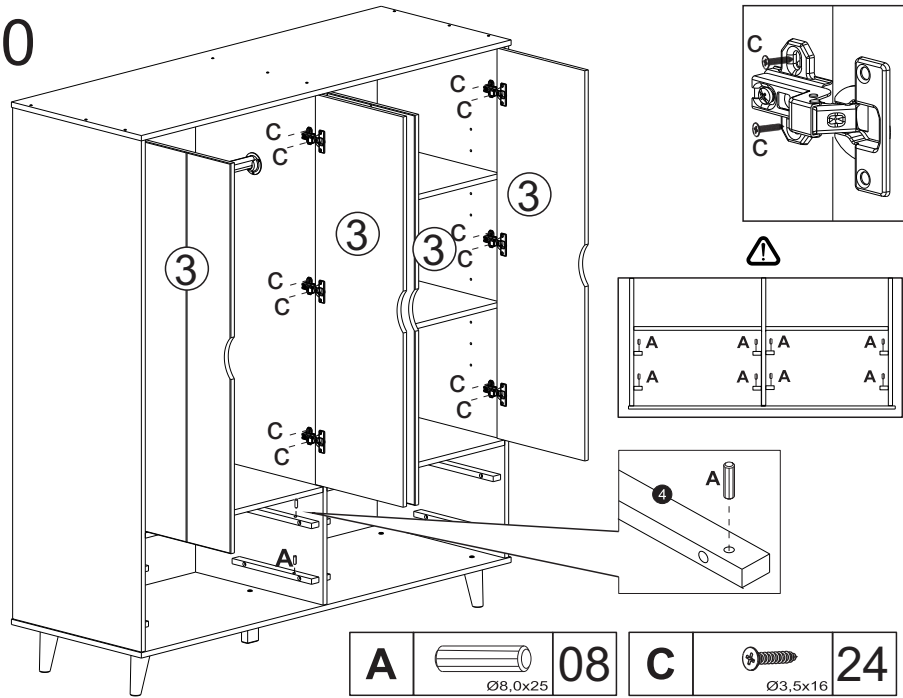
08



C		24	G		12
----------	--	----	----------	--	----

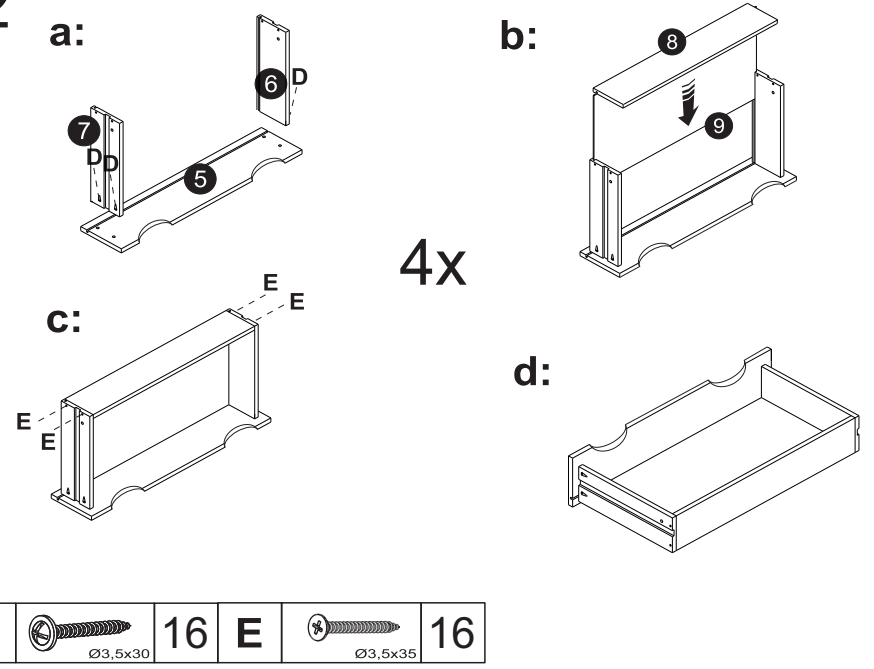
Ø3,5x16

10



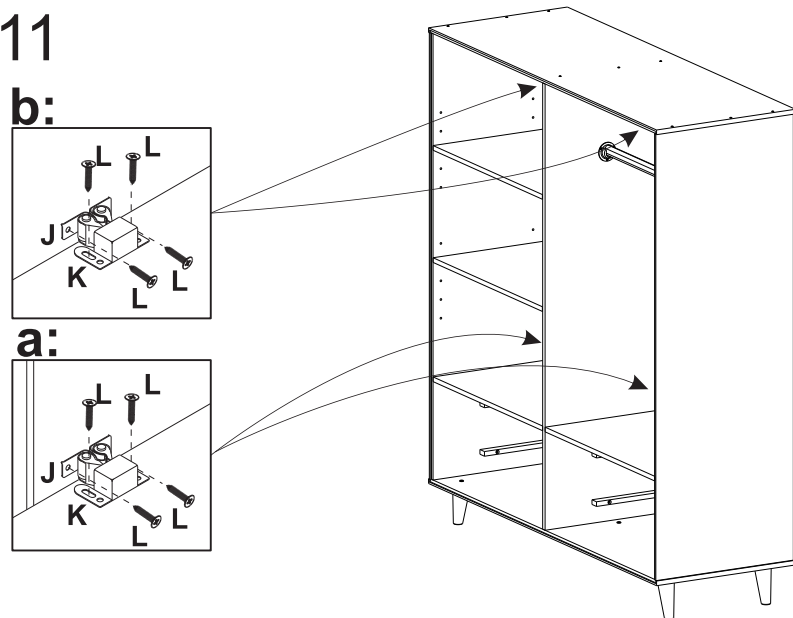
A		08	C		24
		Ø8,0x25			Ø3,5x16

12



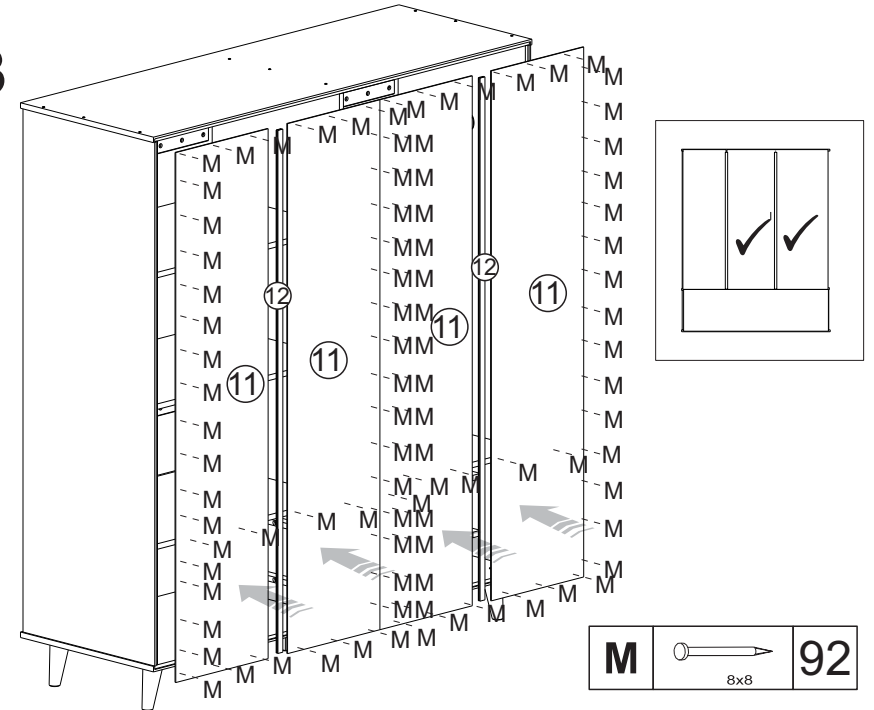
D		16	E		16
		Ø3,5x30			Ø3,5x35

11



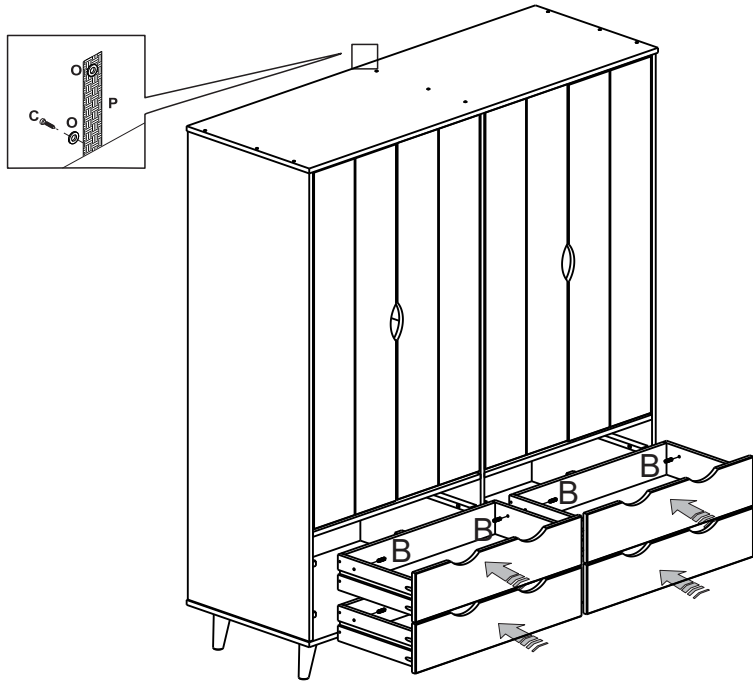
L		24	J		6	K		6
		Ø3,5x14						

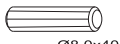



13



M		92
		8x8

14



B	 Ø8,0x40	8
C	 Ø3,5x16	1
O		2
P		1