

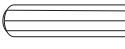






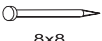





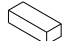
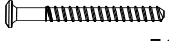

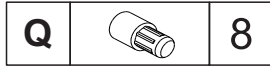
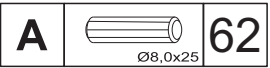
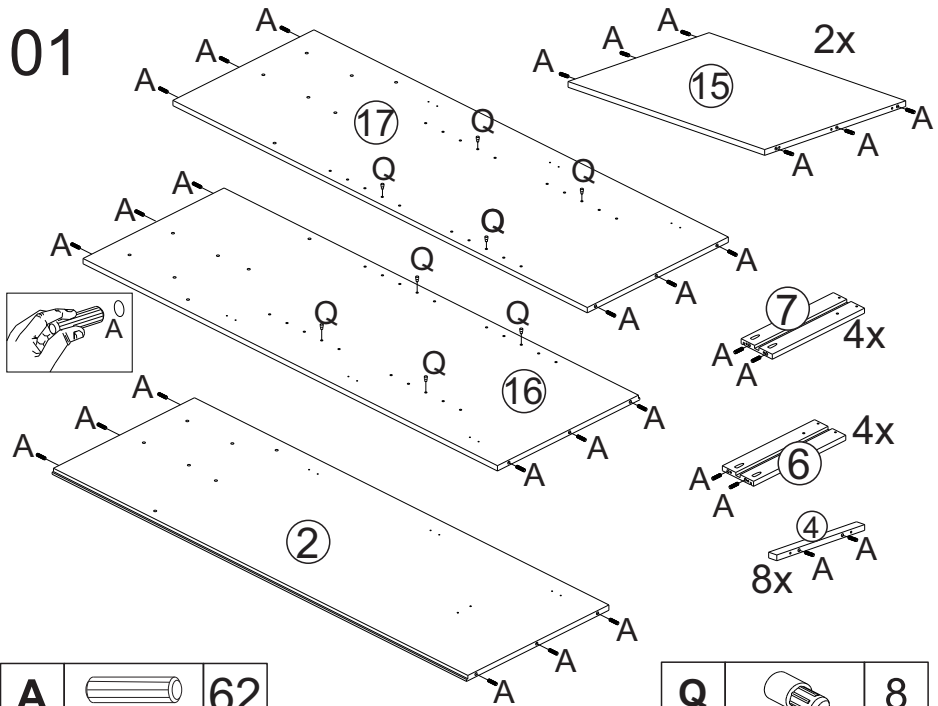
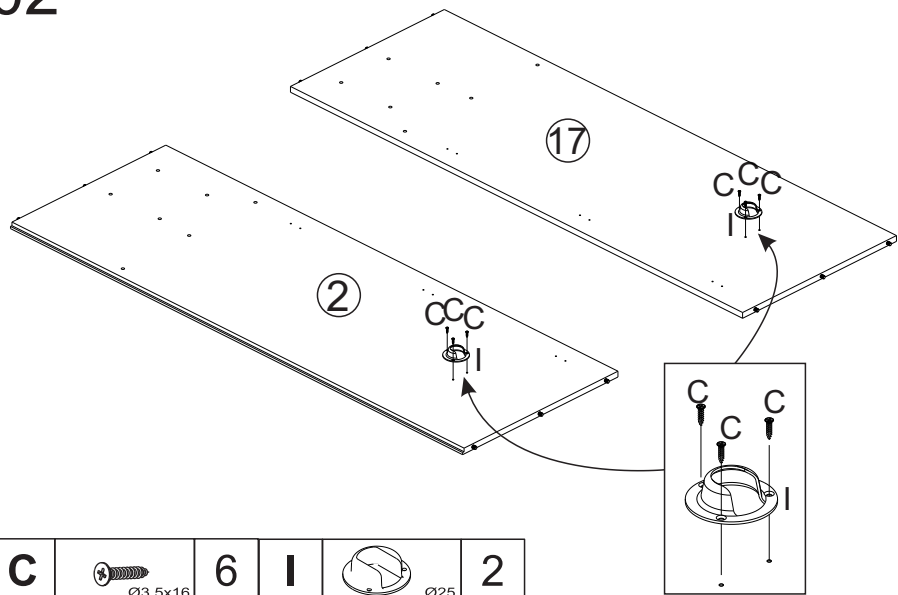


A	 Ø8,0x25	70	I	 Ø25	02
B	 Ø8,0x40	08	J		08
C	 Ø3,5x16	55	K		08
D	 Ø3,5x30	84	L	 Ø3,5x14	32
E	 Ø3,5x35	34	M	 8x8	92
F		01	N		04
G		12	O	 2x 	01
H		01	P	 7.0 x 60	05
			Q		08

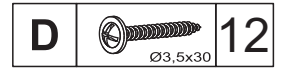
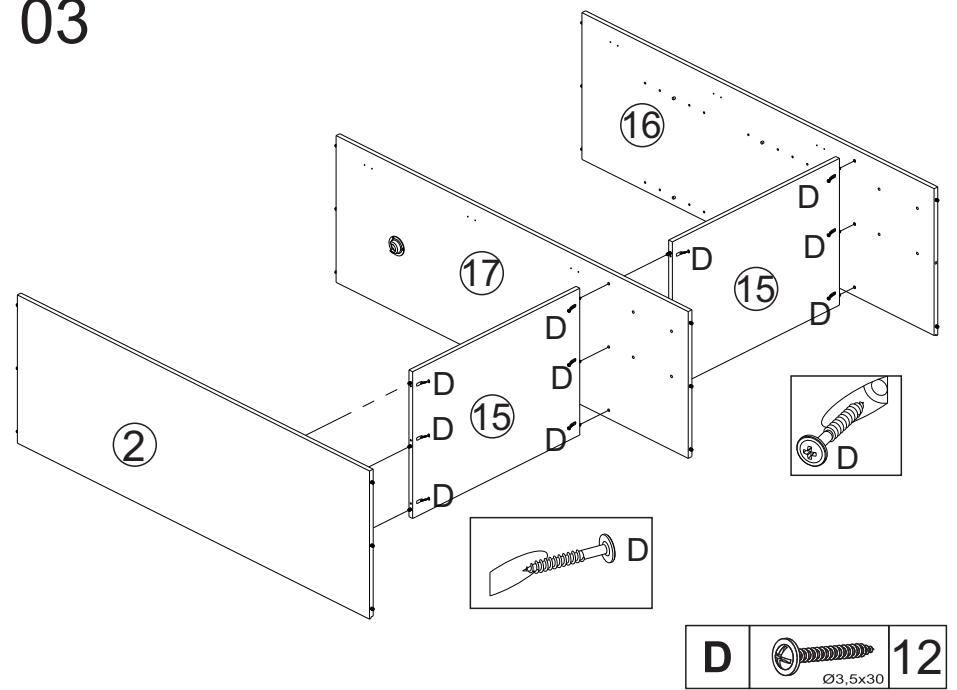
01



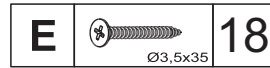
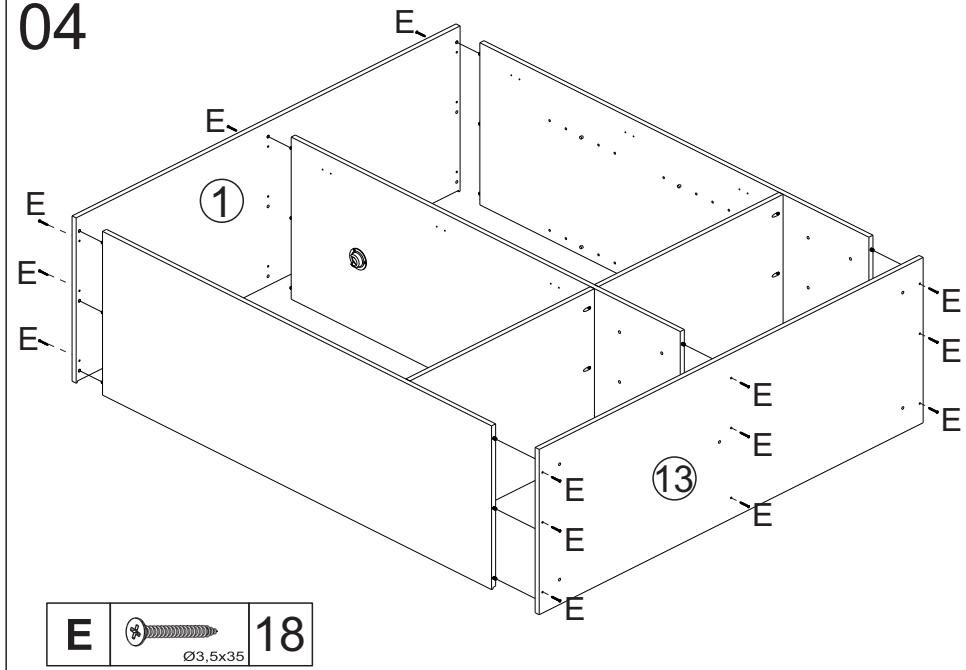
02



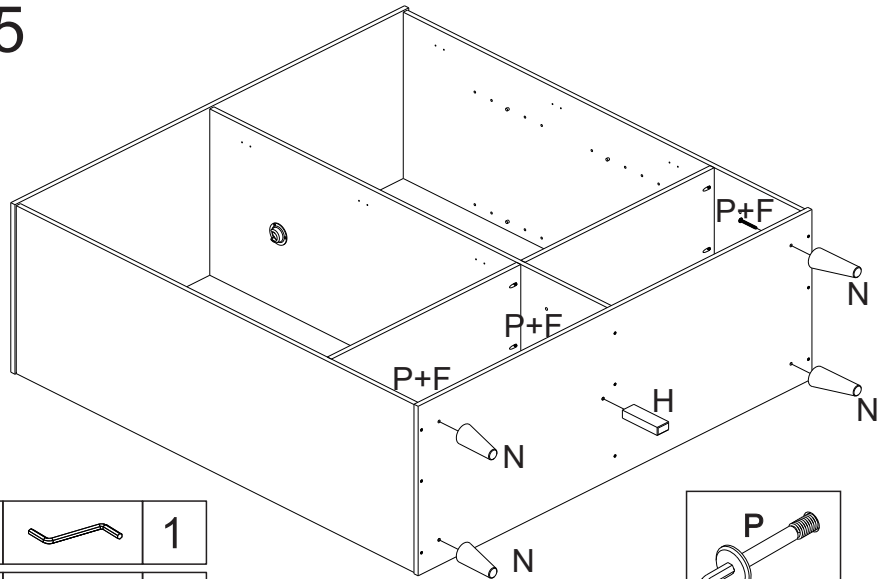
03



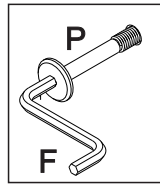
04



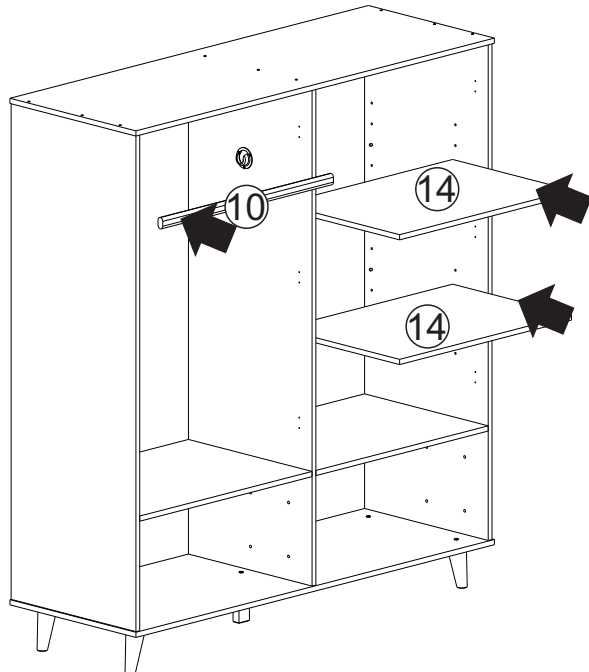
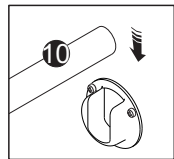
05



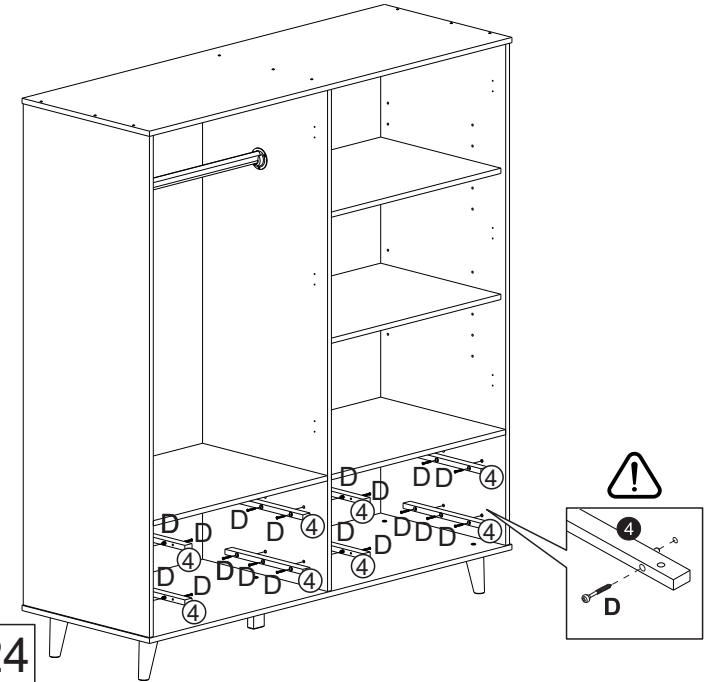
F		1
H		1
P		4
N		4



06

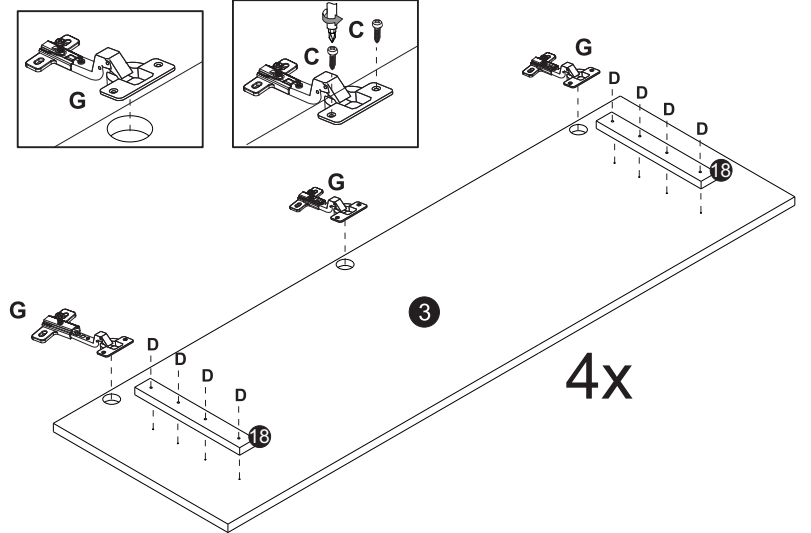


07



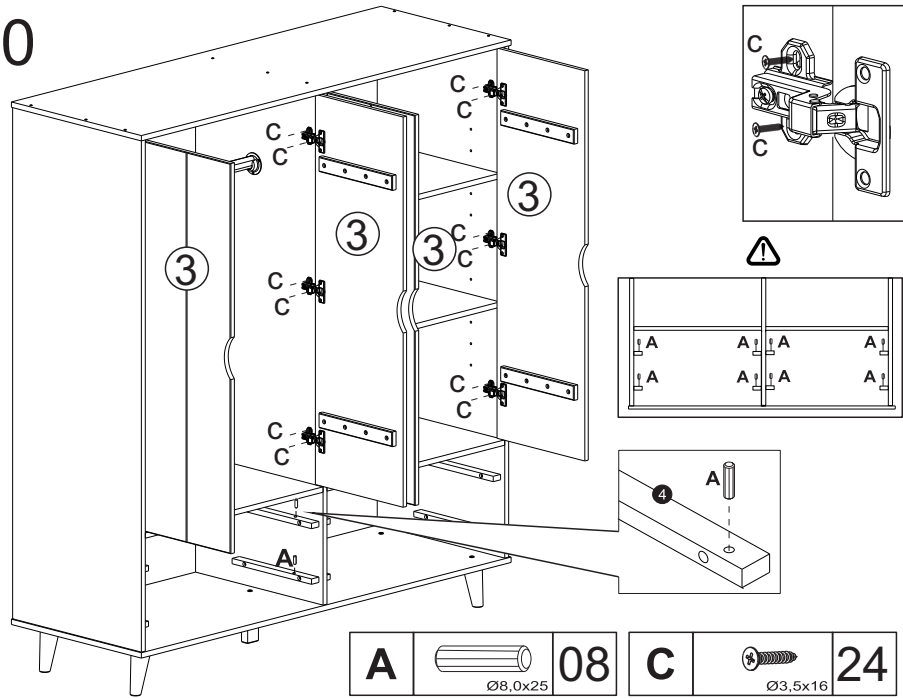
D		24
---	--	----

08



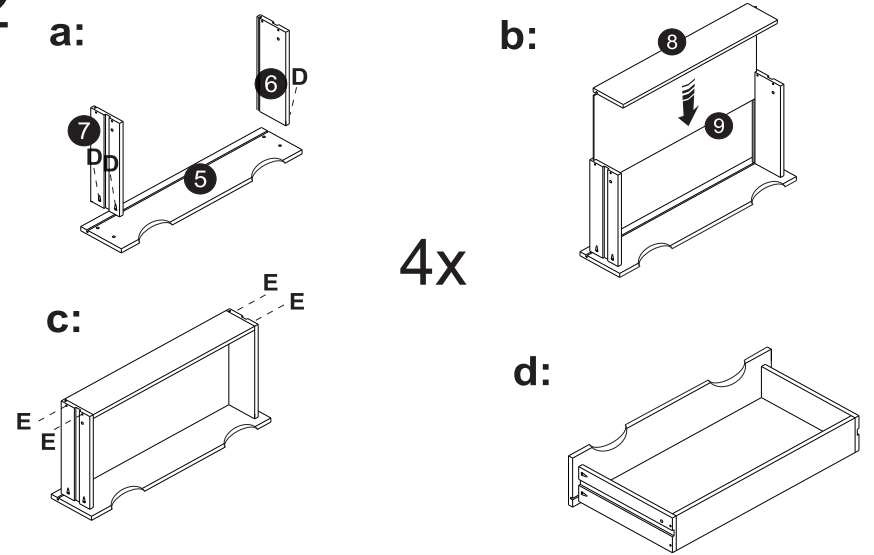
C		24	G		12	D		32
---	--	----	---	--	----	---	--	----

10



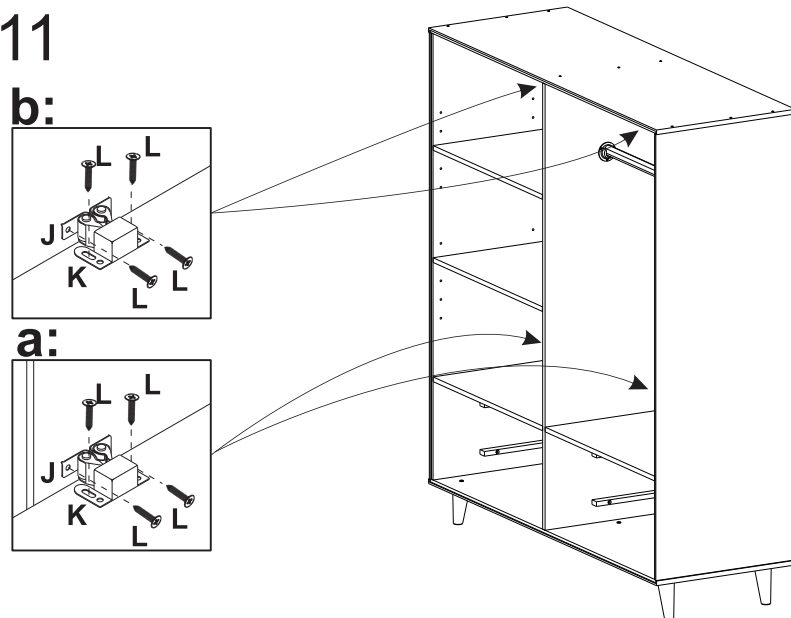
A		08	C		24
	Ø8,0x25			Ø3,5x16	

12



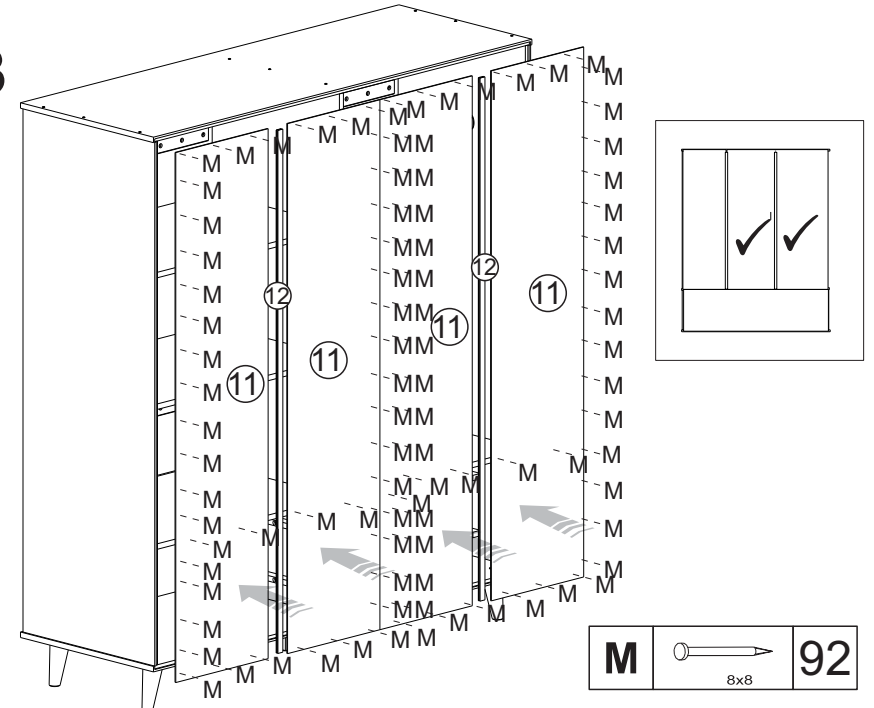
D		16	E		16
	Ø3,5x30			Ø3,5x35	

11



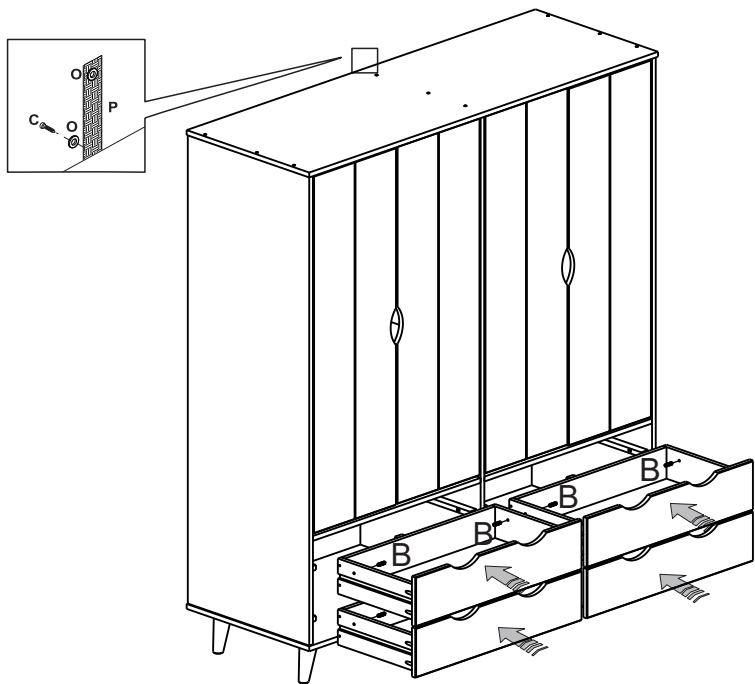
L		24	J		6	K		6
	Ø3,5x14							

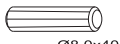



13



M		92
	8x8	

14



B	 Ø8,0x40	8
C	 Ø3,5x16	1
O		2
P		1