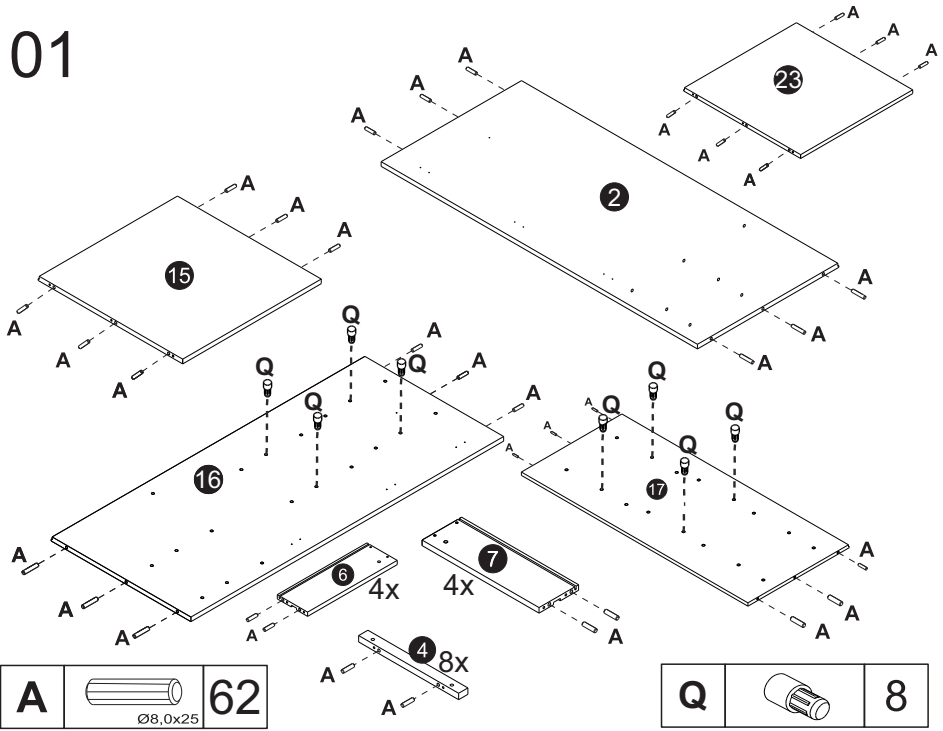


A	Ø8,0x25	70	I	Ø25	02
B	Ø8,0x40	08	J		06
C	Ø3,5x16	43	K		06
D	Ø3,5x30	52	L	Ø3,5x14	24
E	Ø3,5x35	34	M	8x8	60
F		01	N		04
G		09	O	2x	01
H		01	P	7.0 x 60	05
			Q		08

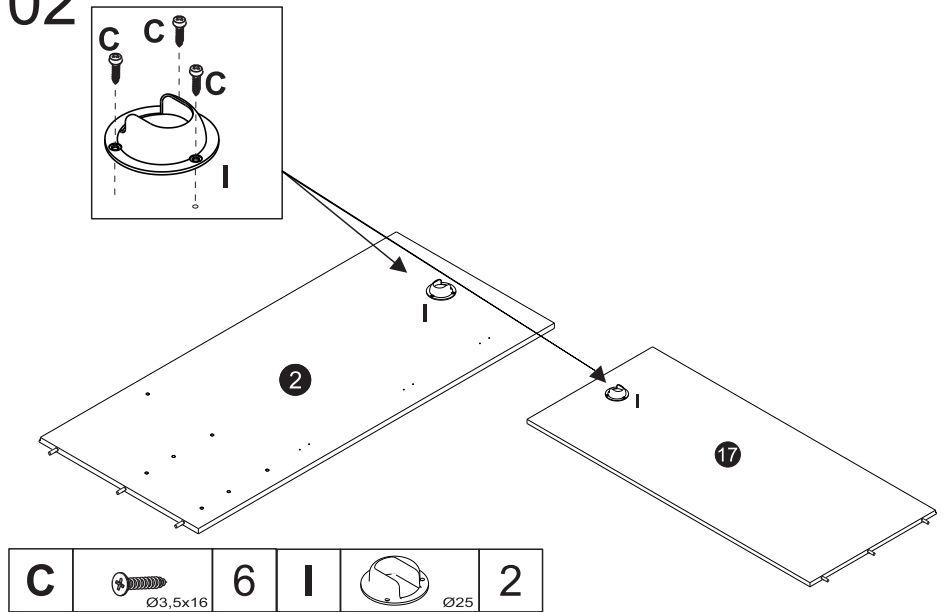
01



A		62
Ø8,0x25		

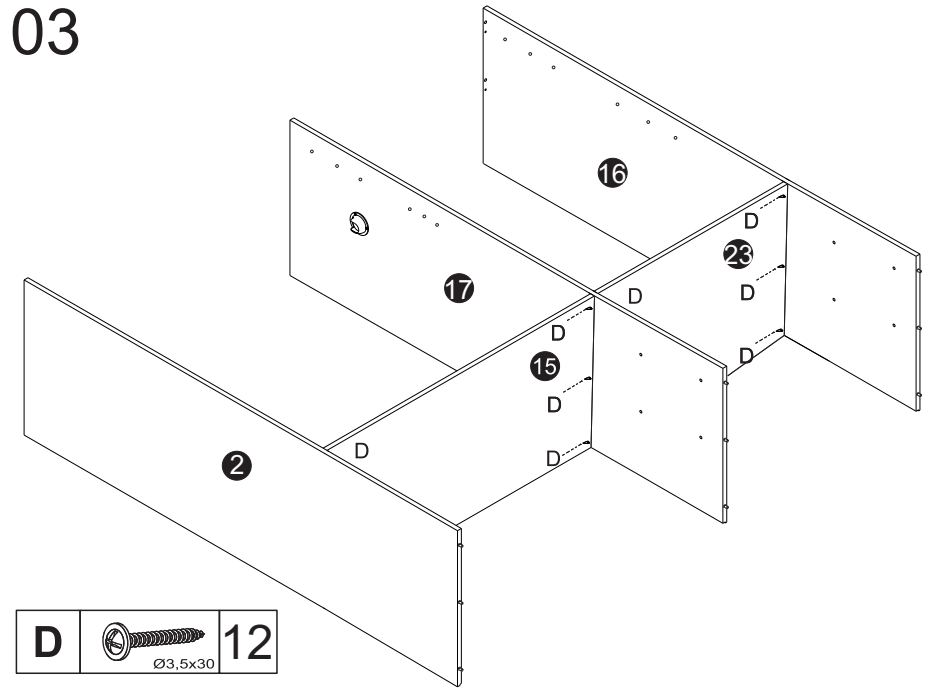
Q		8
----------	--	----------

02



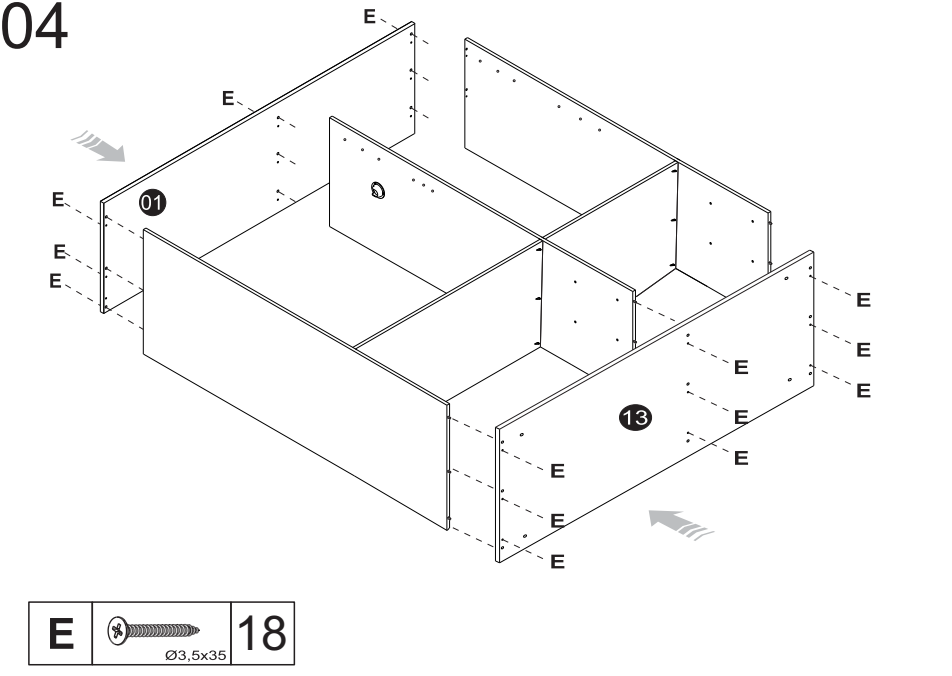
C		6	I		2
Ø3,5x16 Ø25					

03



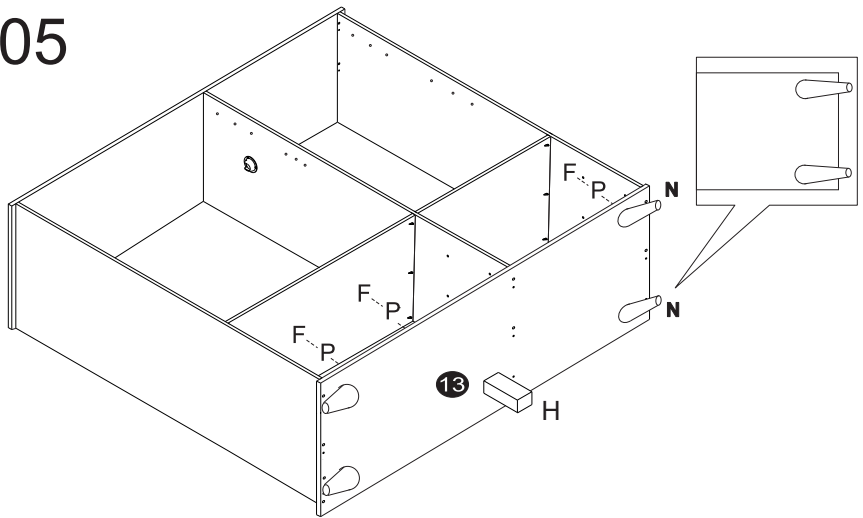
D		12
Ø3,5x30		

04



E		18
Ø3,5x35		

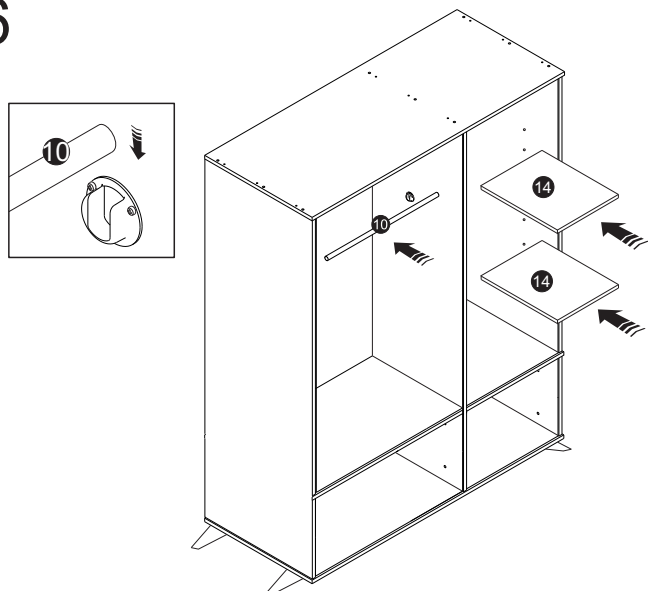
05



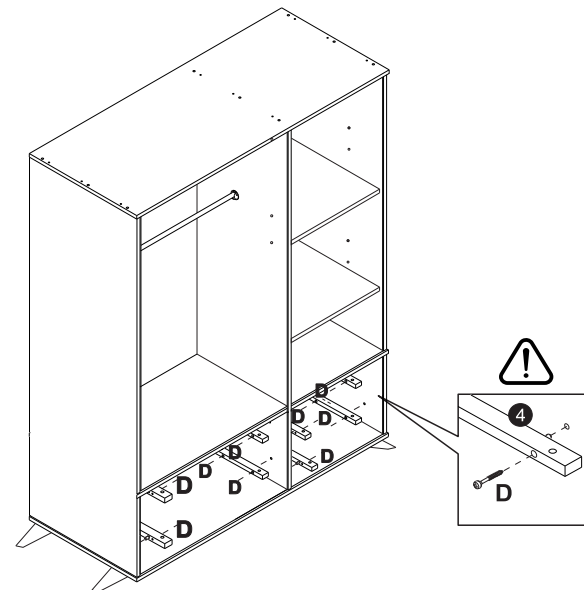
H		1
---	--	---

P		4	N		4	F		1
---	--	---	---	--	---	---	--	---

06

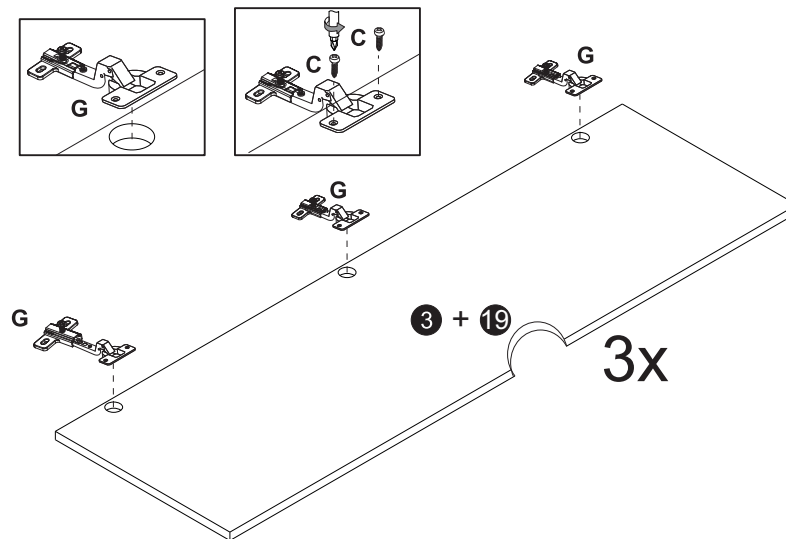


07



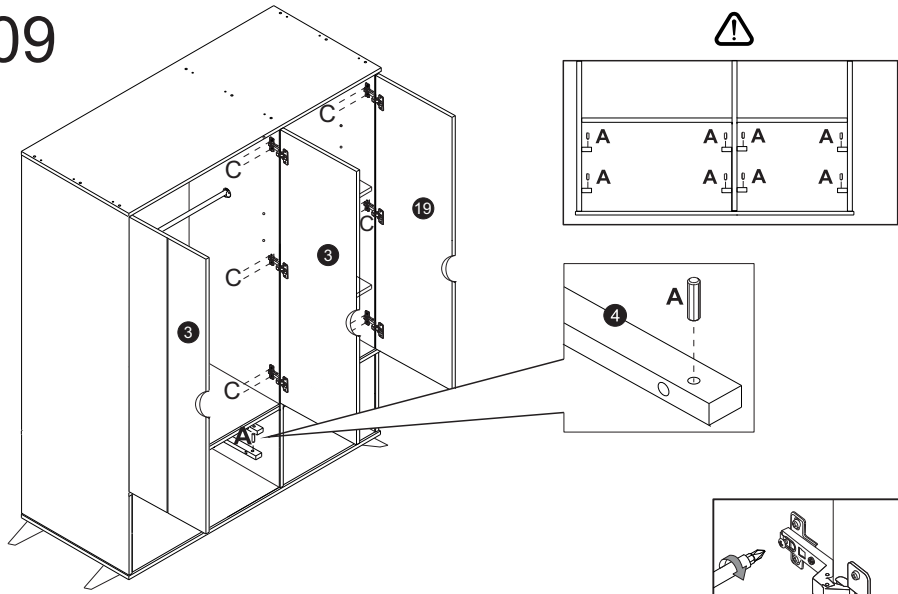
D		24
---	--	----

08

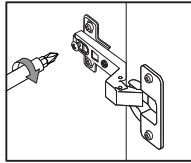


C		18	G		9
---	--	----	---	--	---

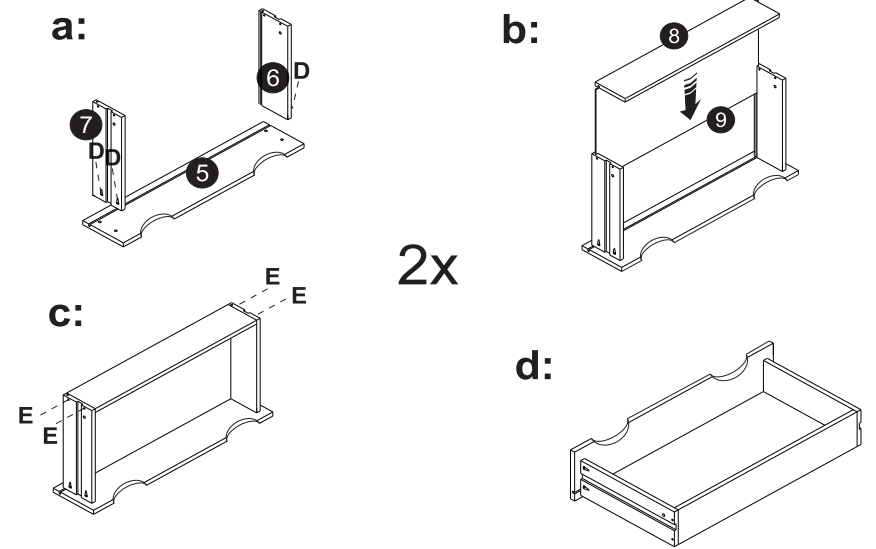
09



C		18	A		08
	$\varnothing 3,5 \times 16$			$\varnothing 8,0 \times 25$	

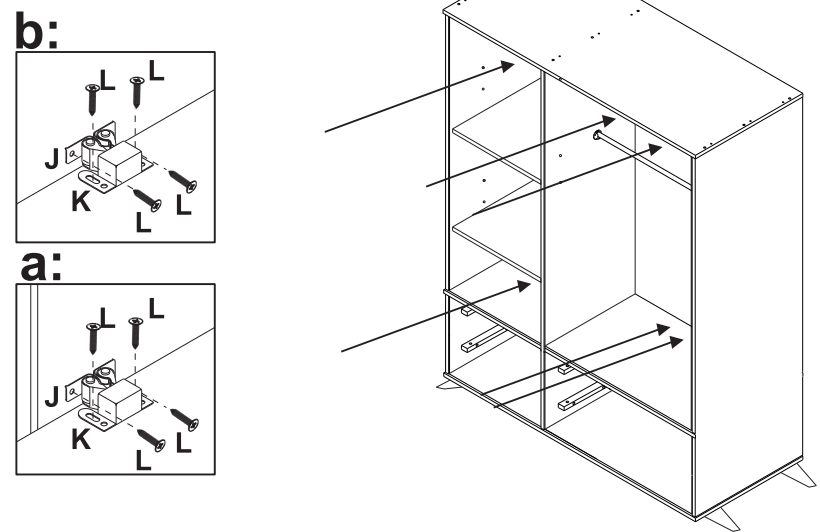


11



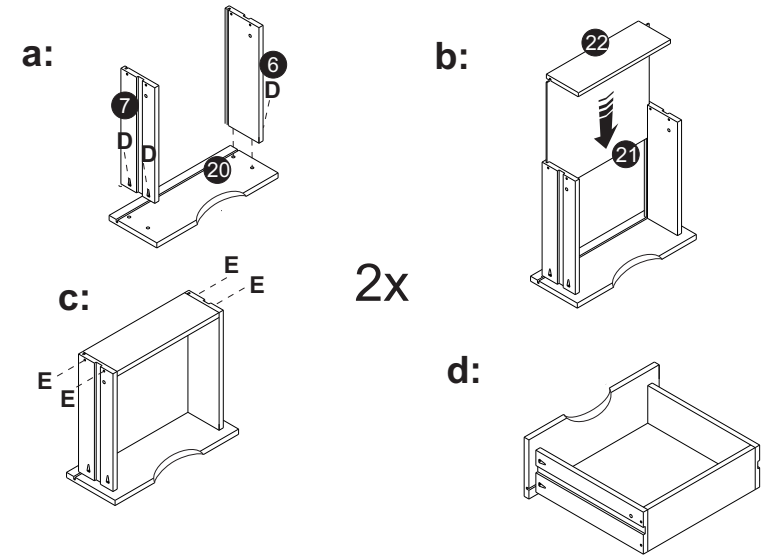
D		8	E		8
	$\varnothing 3,5 \times 30$			$\varnothing 3,5 \times 35$	

10



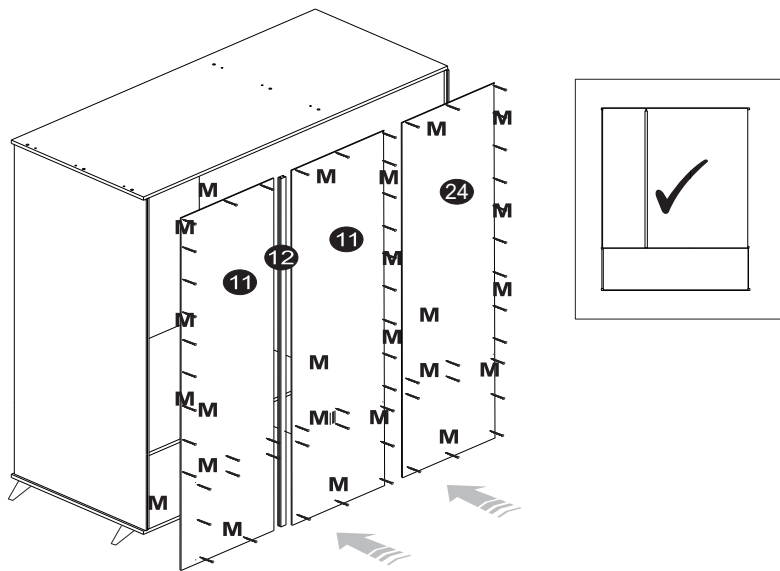
L		24	J		6	K		6
	$\varnothing 3,5 \times 14$							

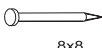
12



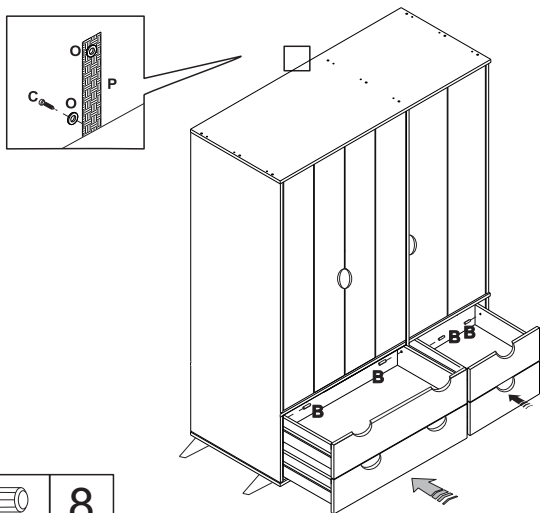
D		8	E		8
	$\varnothing 3,5 \times 30$			$\varnothing 3,5 \times 35$	





13



M		8x8	60
----------	---	-----	-----------

14



B		8						
C		1	O		2	P		1