

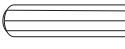












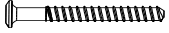

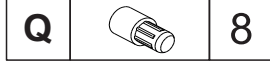
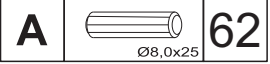
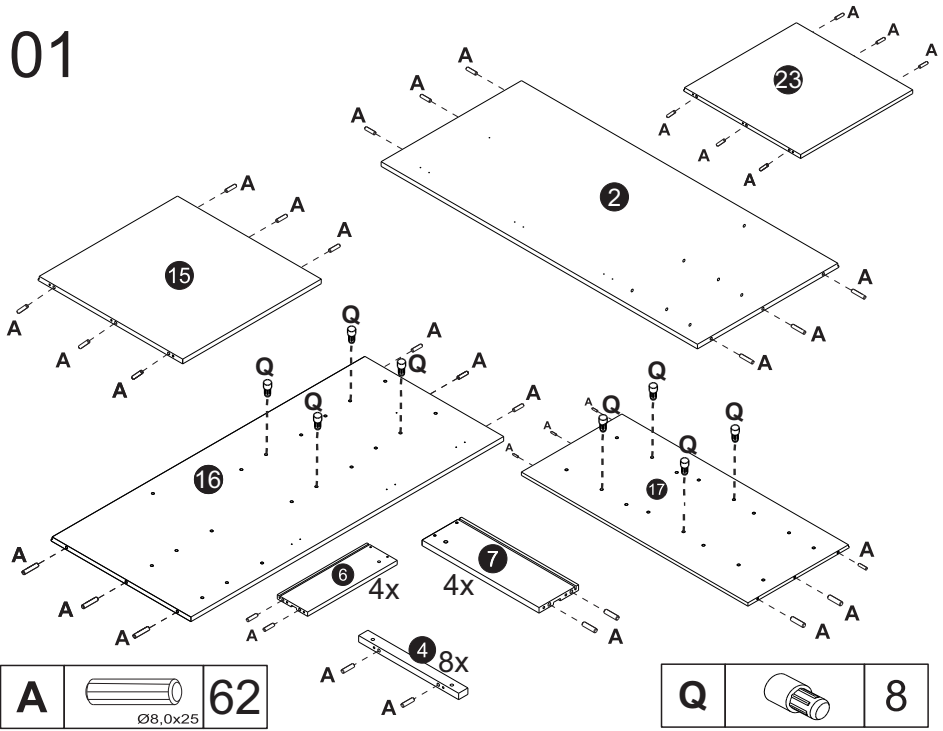
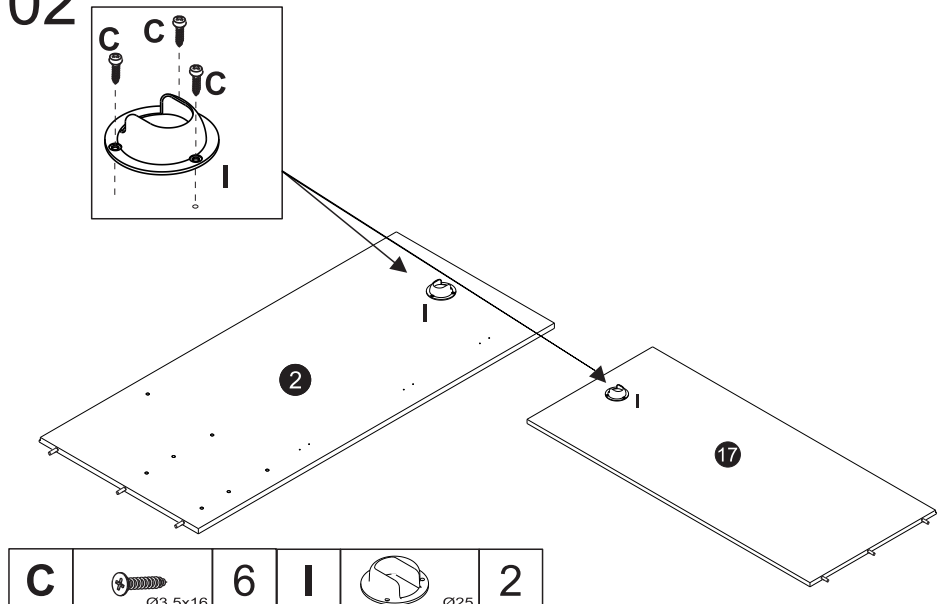


A	 Ø8,0x25	70	I	 Ø25	02
B	 Ø8,0x40	08	J		06
C	 Ø3,5x16	43	K		06
D	 Ø3,5x30	76	L	 Ø3,5x14	24
E	 Ø3,5x35	34	M	 8x8	60
F		01	N		04
G		09	O	 2x	01
H		01	P	 7.0 x 60	05
			Q		08

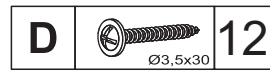
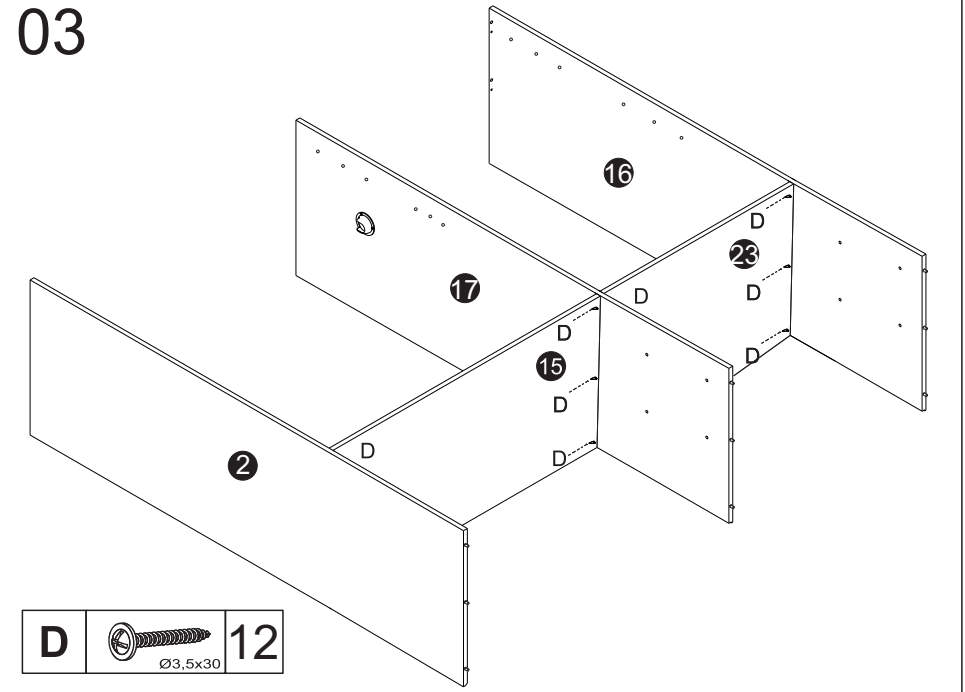
01



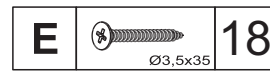
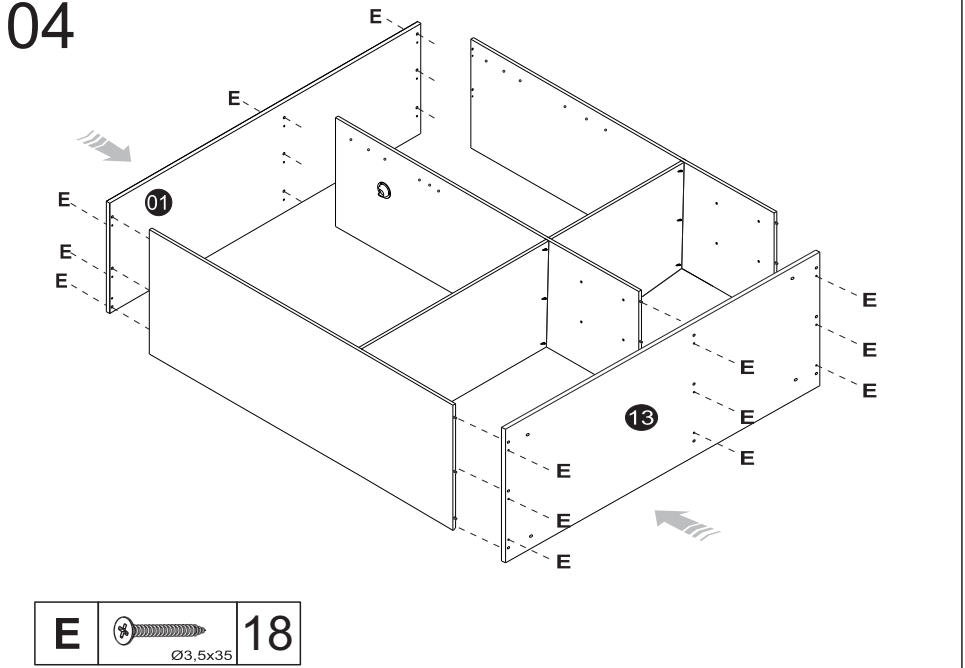
02



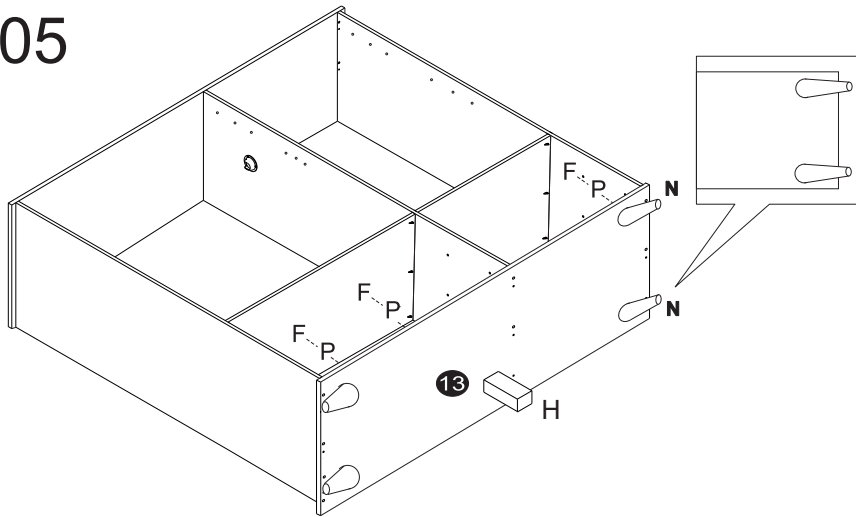
03



04



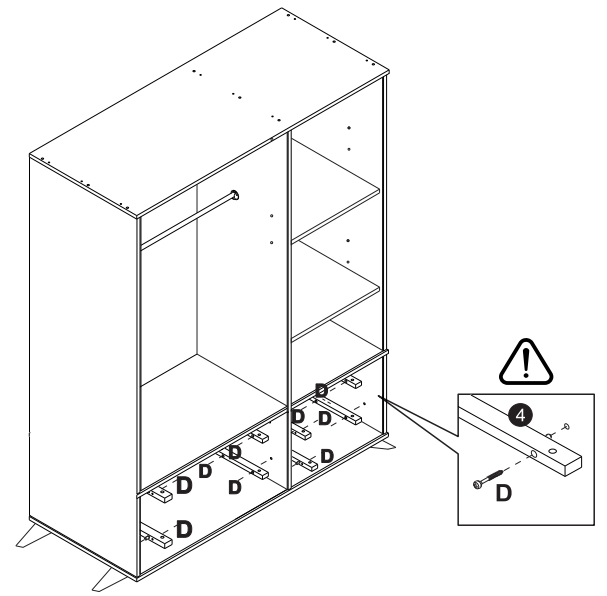
05



H		1
---	--	---

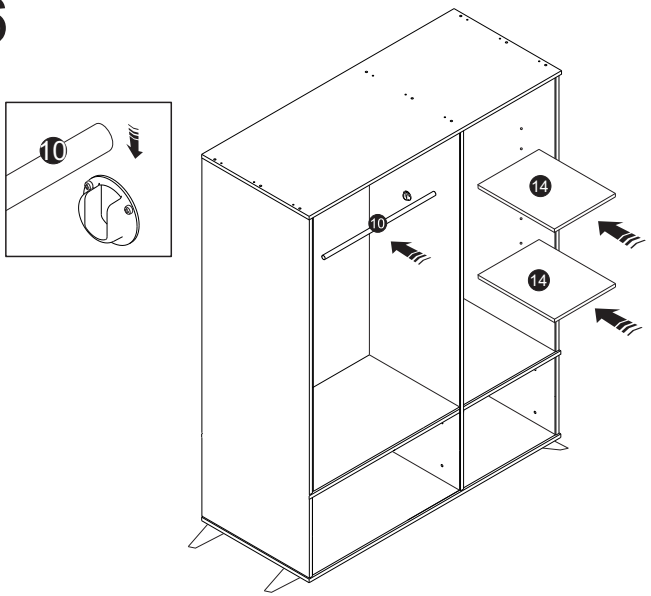
P		4	N		4	F		1
---	--	---	---	--	---	---	--	---

07

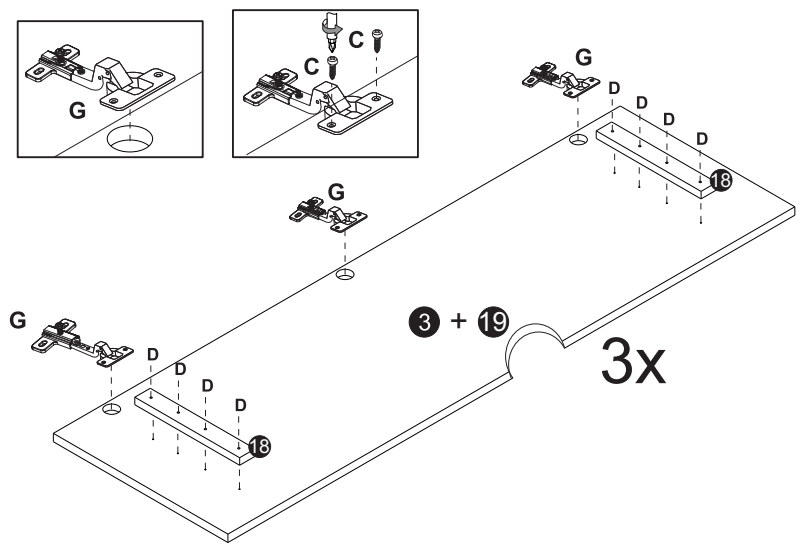


D		24
---	--	----

06

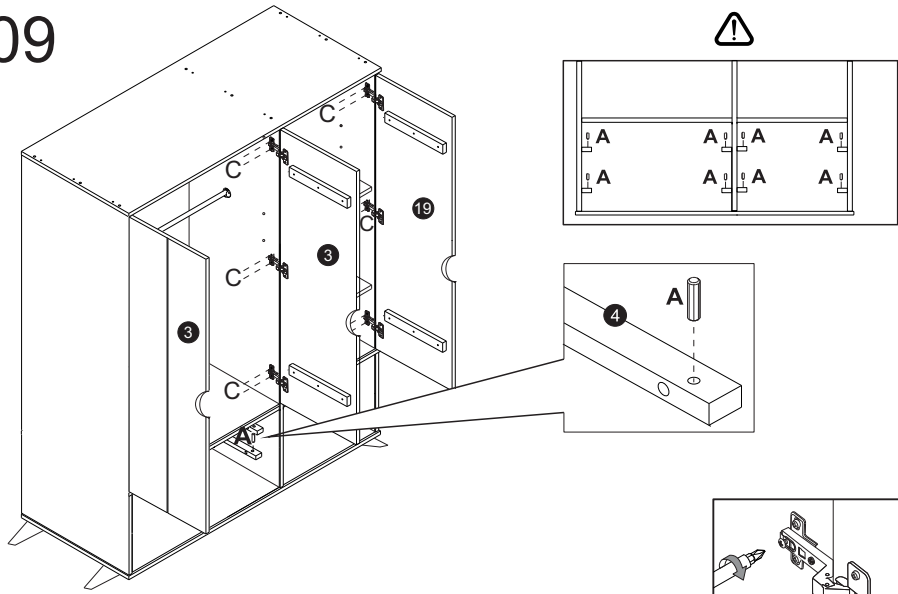


08

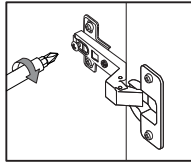


C		18	G		9	D		24
---	--	----	---	--	---	---	--	----

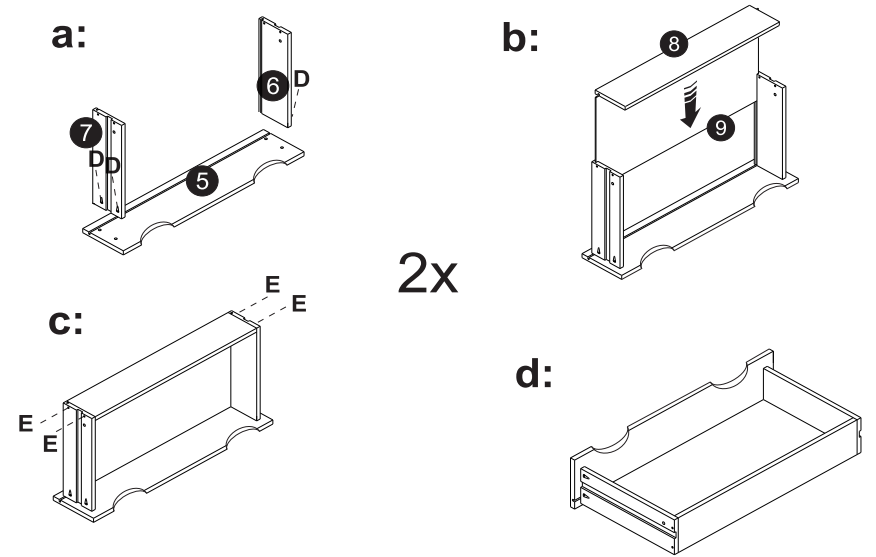
09



- | | | | | | |
|----------|--|-----------|----------|--|-----------|
| C | | 18 | A | | 08 |
| | | Ø3,5x16 | | | Ø8,0x25 |

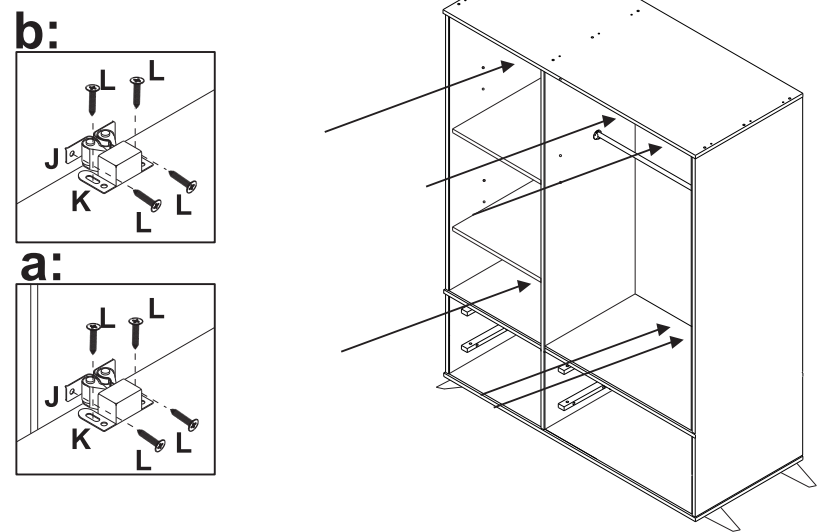


11



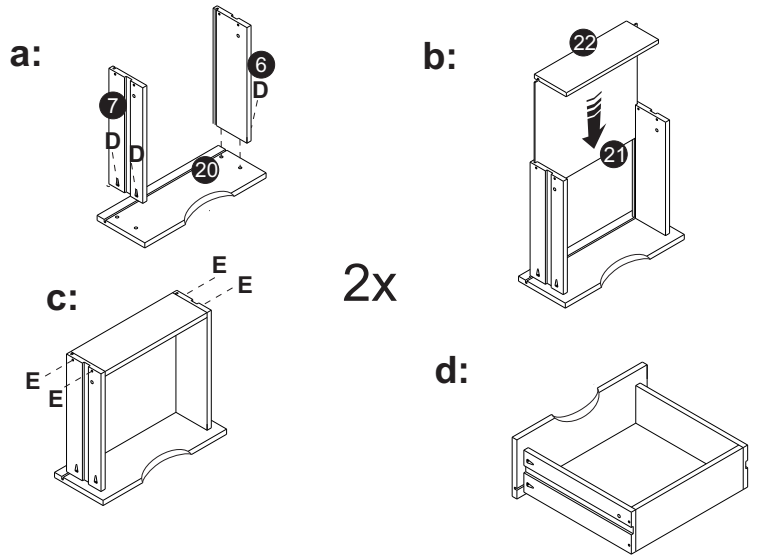
- | | | | | | |
|----------|--|----------|----------|--|----------|
| D | | 8 | E | | 8 |
| | | Ø3,5x30 | | | Ø3,5x35 |

10



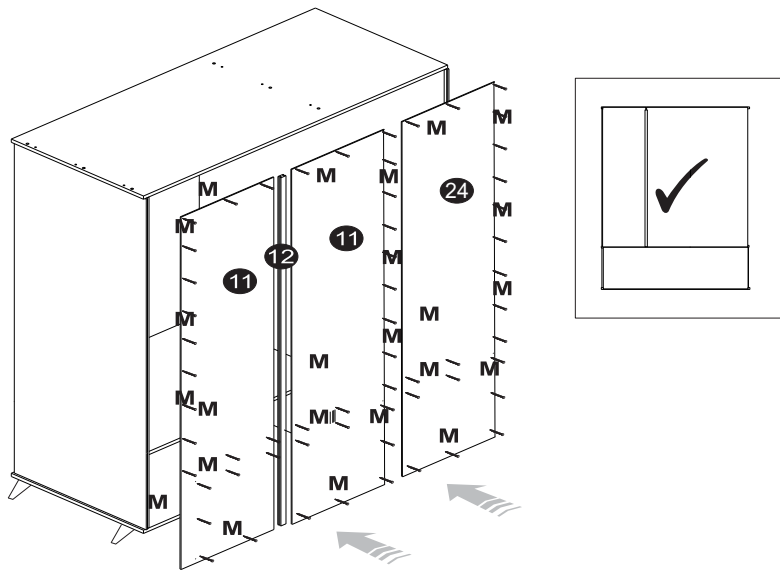
- | | | | | | | | | |
|----------|--|-----------|----------|--|----------|----------|--|----------|
| L | | 24 | J | | 6 | K | | 6 |
| | | Ø3,5x14 | | | | | | |

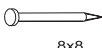
12



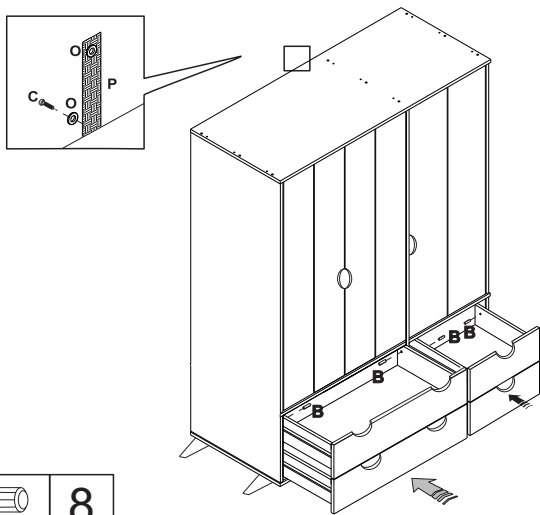
- | | | | | | |
|----------|--|----------|----------|--|----------|
| D | | 8 | E | | 8 |
| | | Ø3,5x30 | | | Ø3,5x35 |





13



M		60
	8x8	

14



B		8
	Ø8,0x40	
C		1
	Ø3,5x16	
O		2
P		1