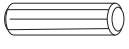
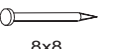
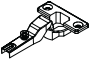


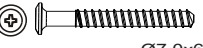
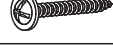
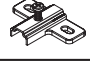

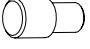

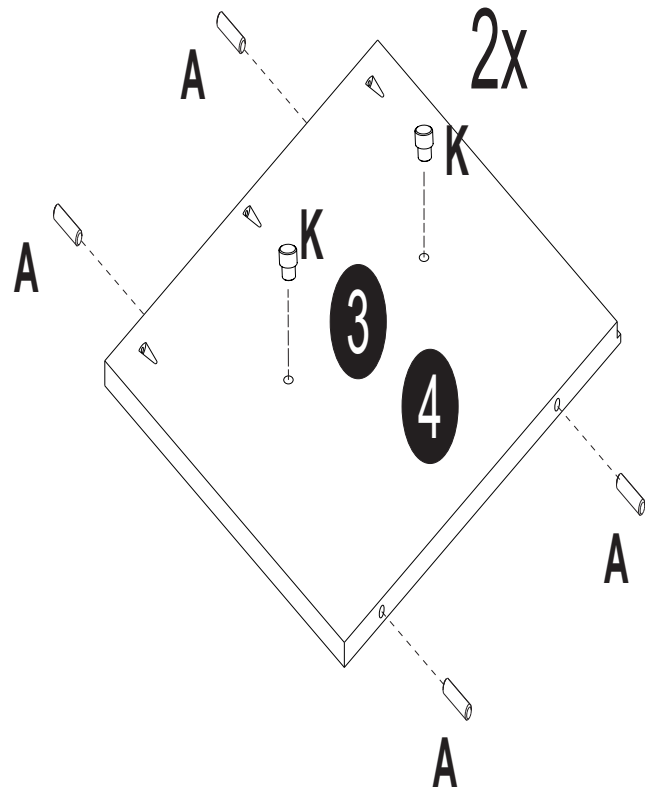


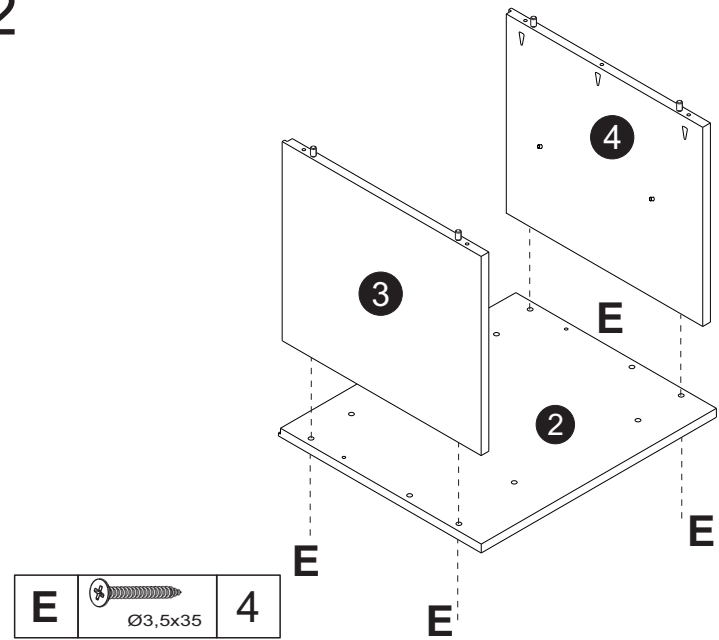
A	 Ø8,0x25	08	G	 8x8	16
B		04	H		4
C	 Ø3,5x14	20	I	 Ø7,0x60	04
D	 Ø3,5x30	06	J	 N° 2	04
E	 Ø3,5x35	04	K		04
F		1			

01

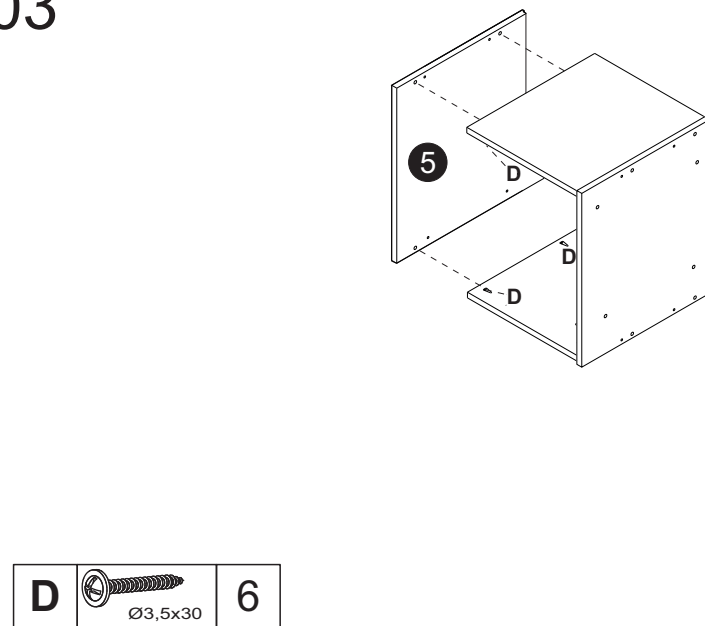


A		08
K		04

02

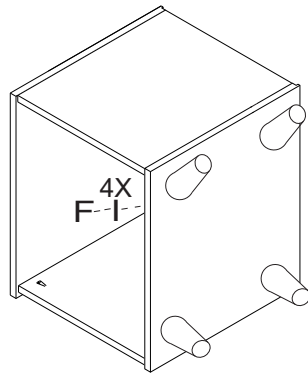


03

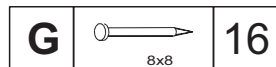
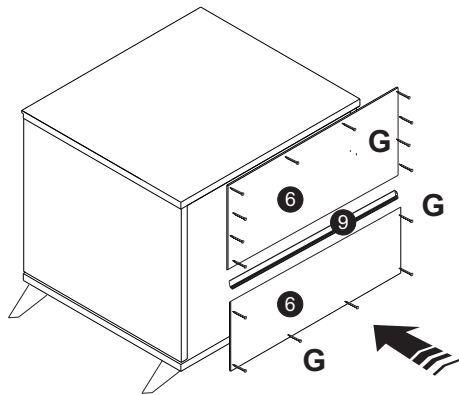


D		6
----------	--	---

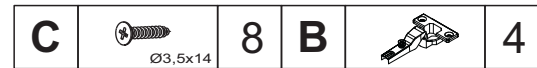
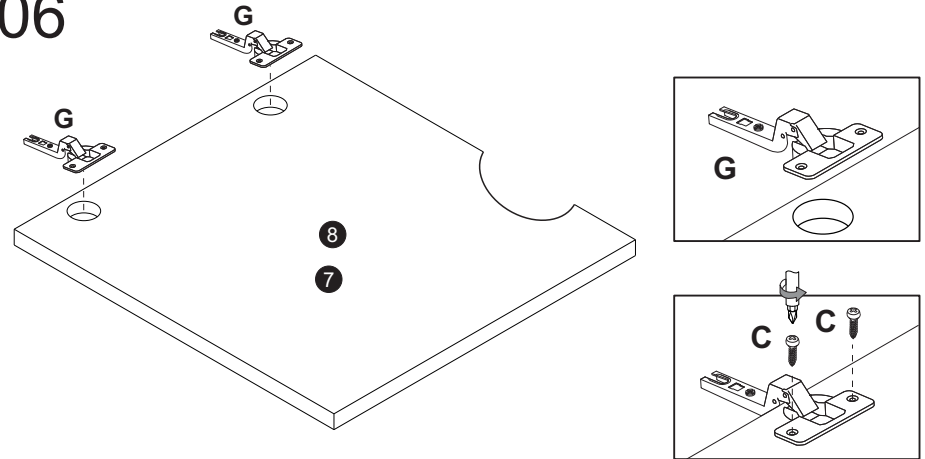
04



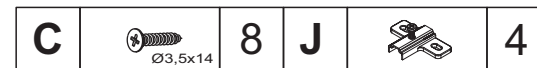
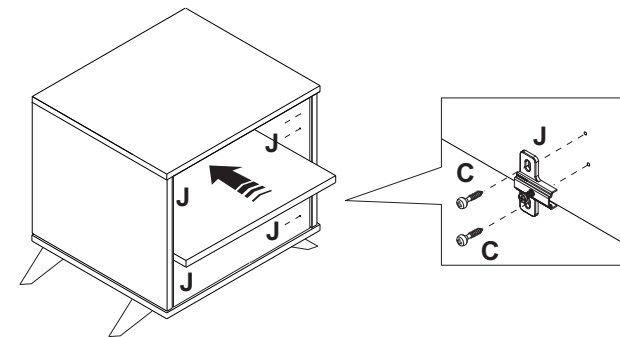
05



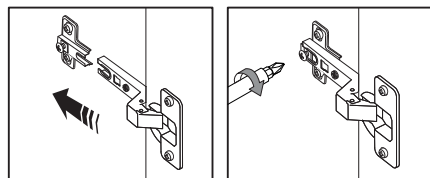
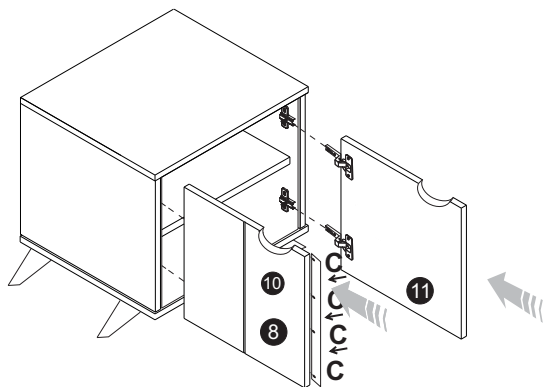
06



07



08



C	 Ø3,5x14	4
----------	---	----------

09

