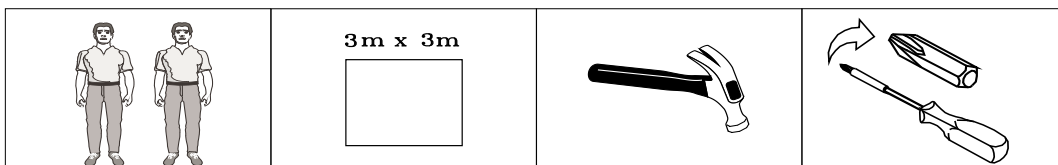
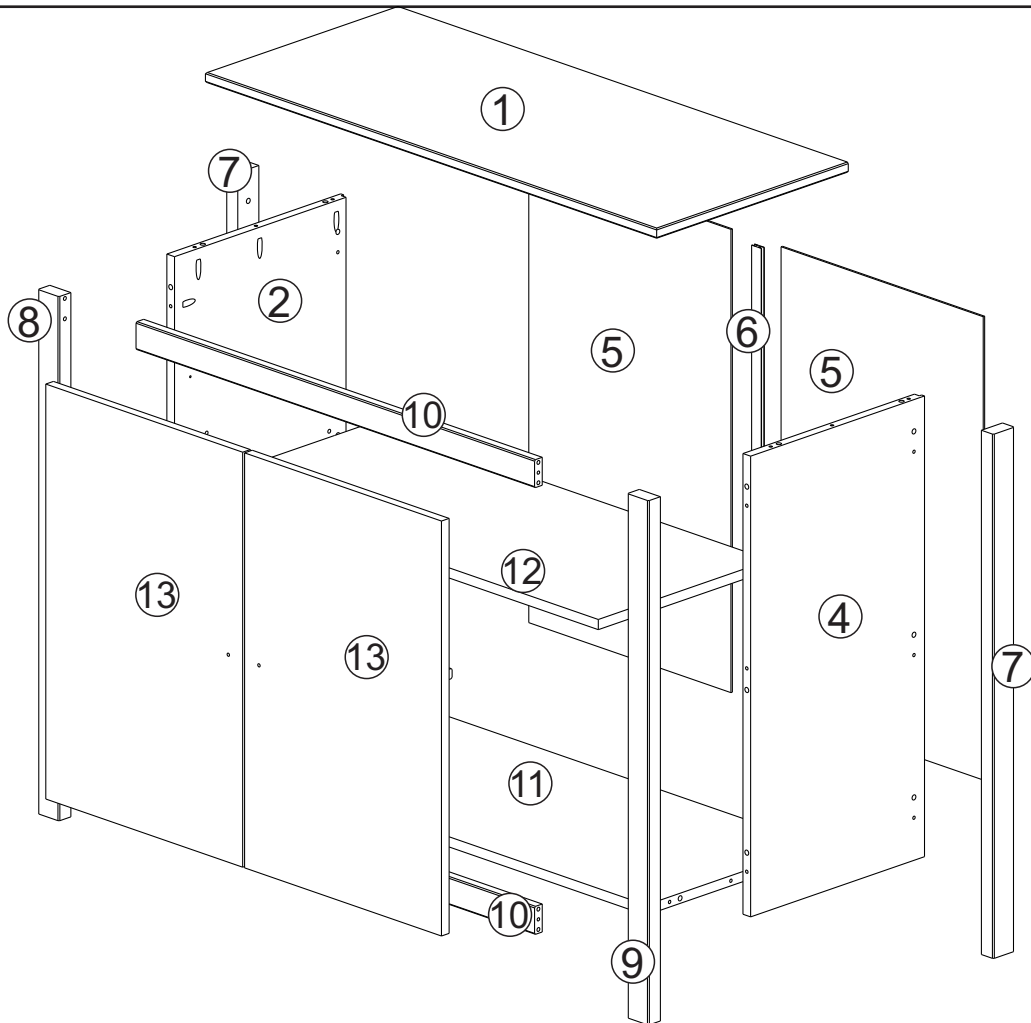
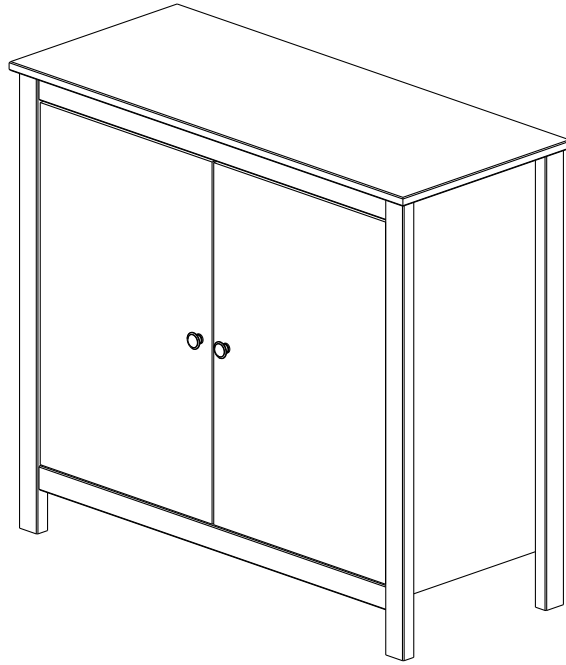

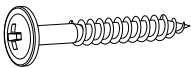
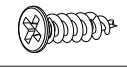
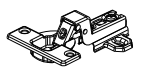
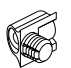
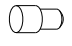
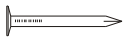

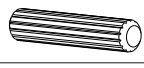
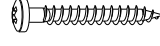


BALCÃO 2 PORTAS

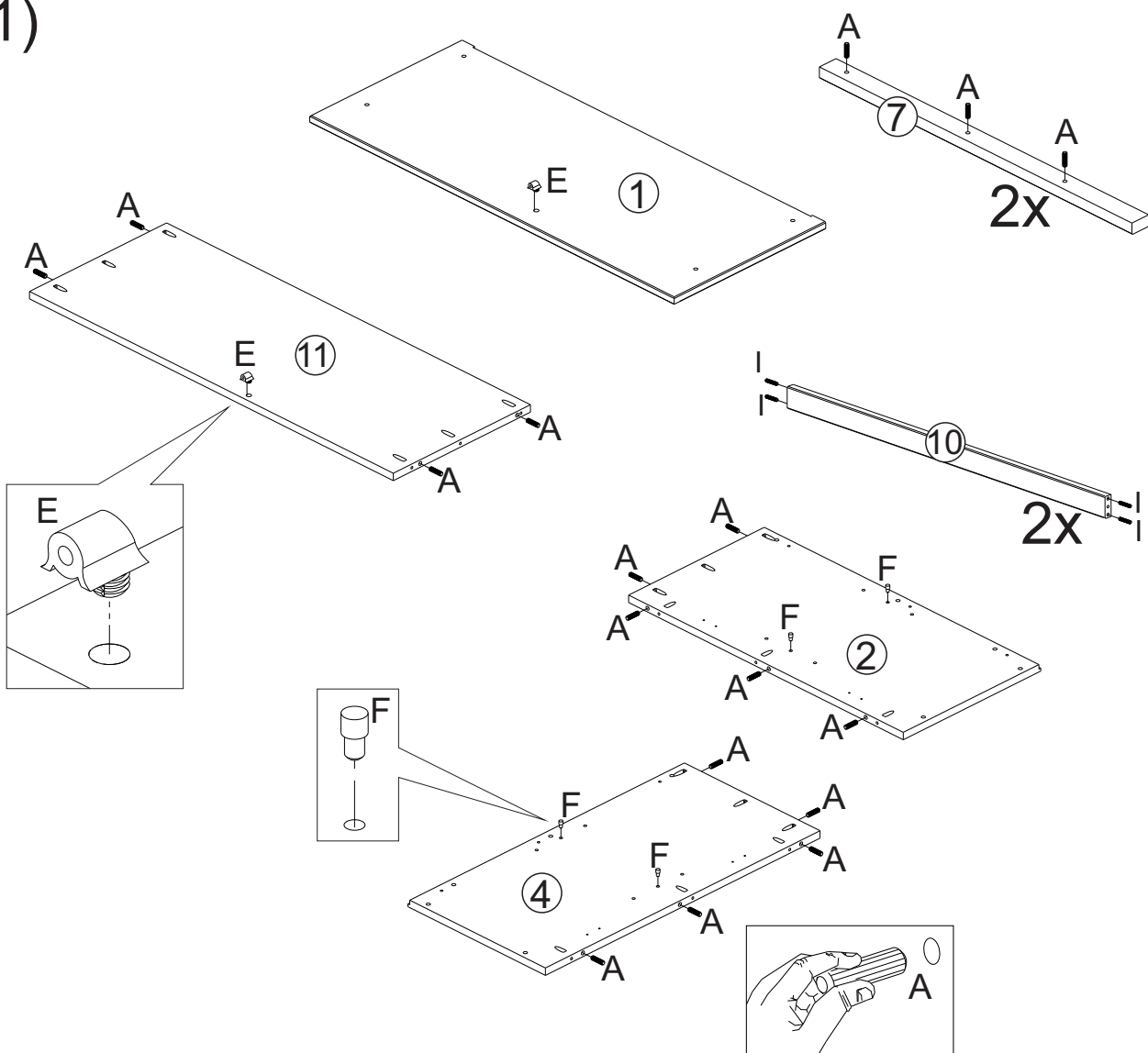



Ferragens

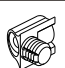


A		8x25	20
B		3,5x30	30
C		3,5x14	16
D			04
E			02
F			04

G		8x8	24
H		PUXADOR	02
I		6x30	08
J		3,5x25	02

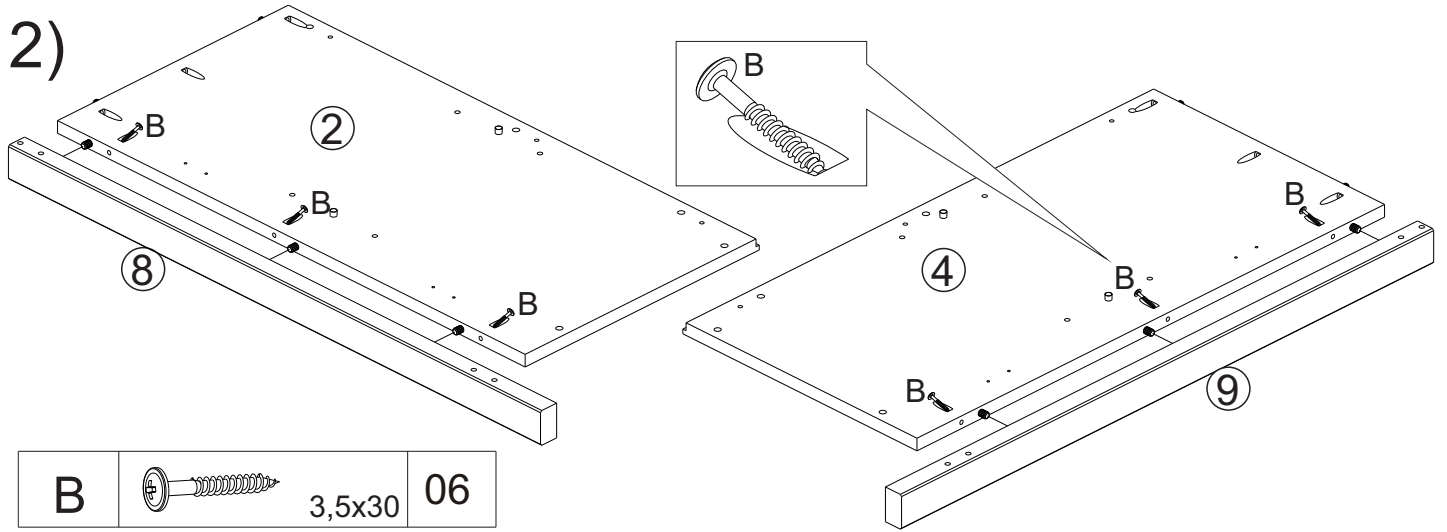
1)

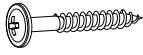


A		8 X 25	20
---	---	--------	----

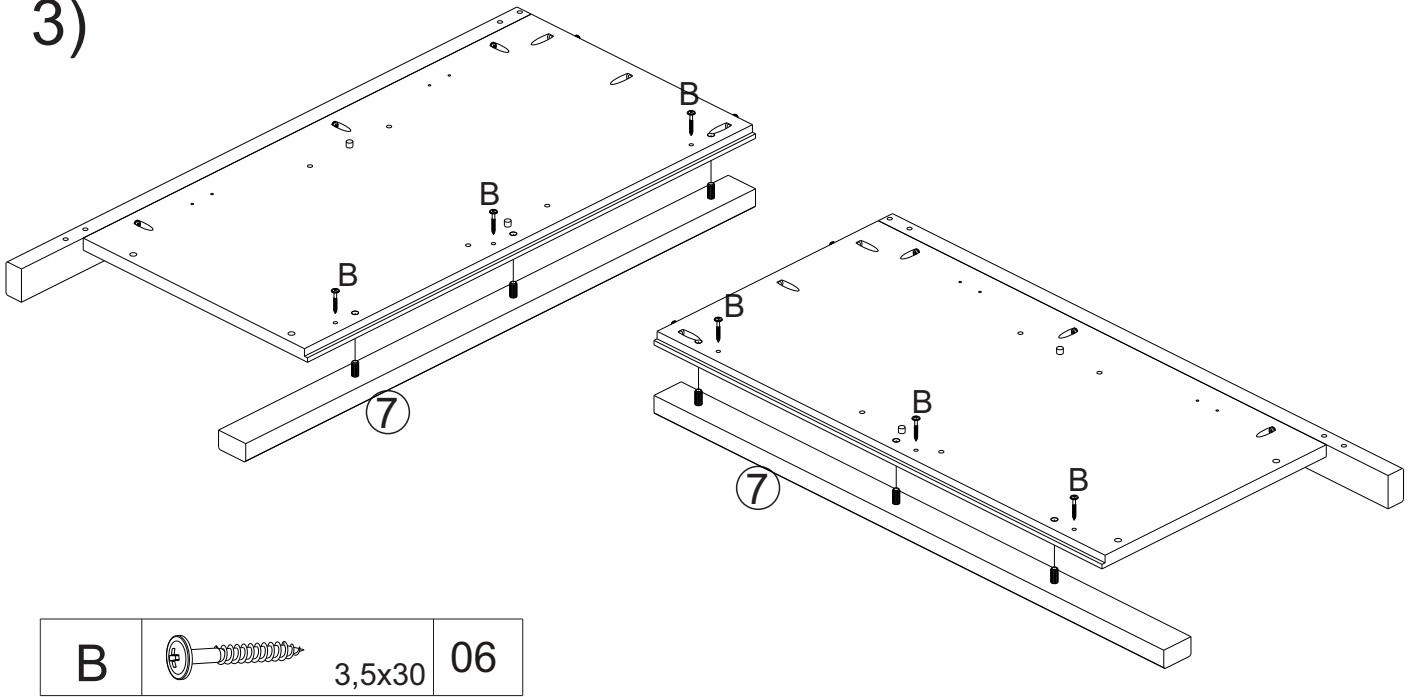
E		02	F		04	I		6 X 30	08
---	---	----	---	---	----	---	---	--------	----

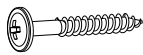
2)



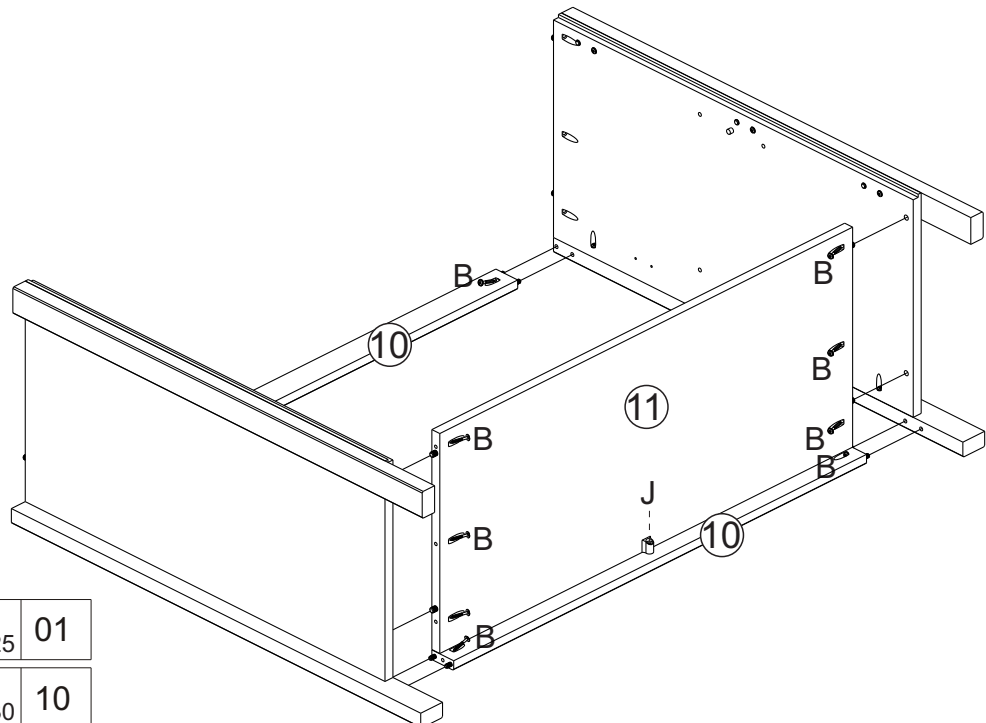
B		3,5x30	06
---	---	--------	----

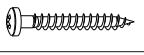
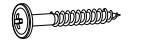
3)



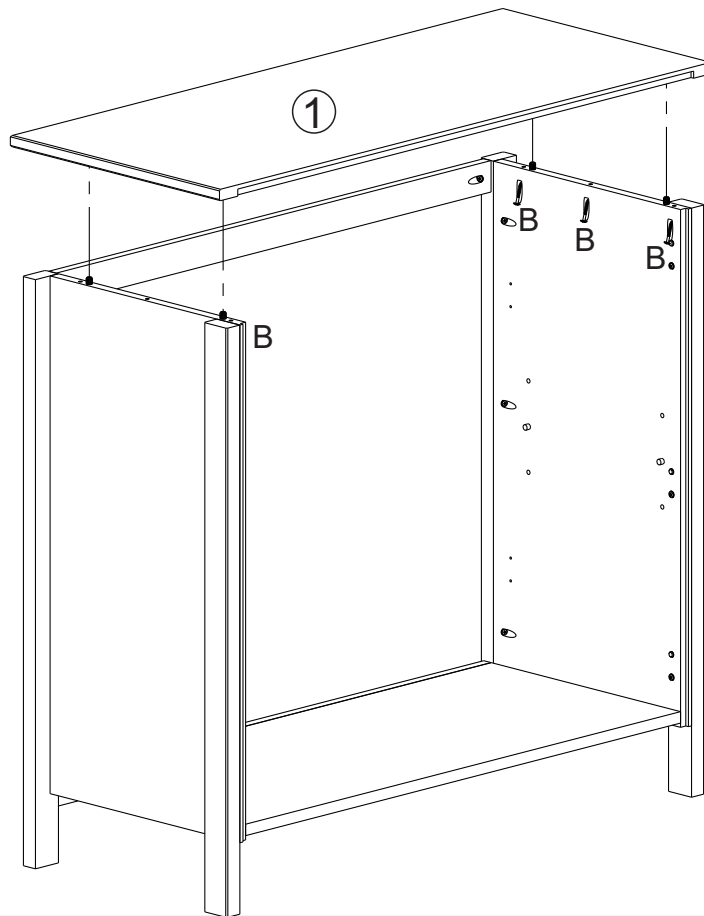
B		3,5x30	06
---	---	--------	----

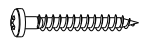
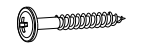
4)



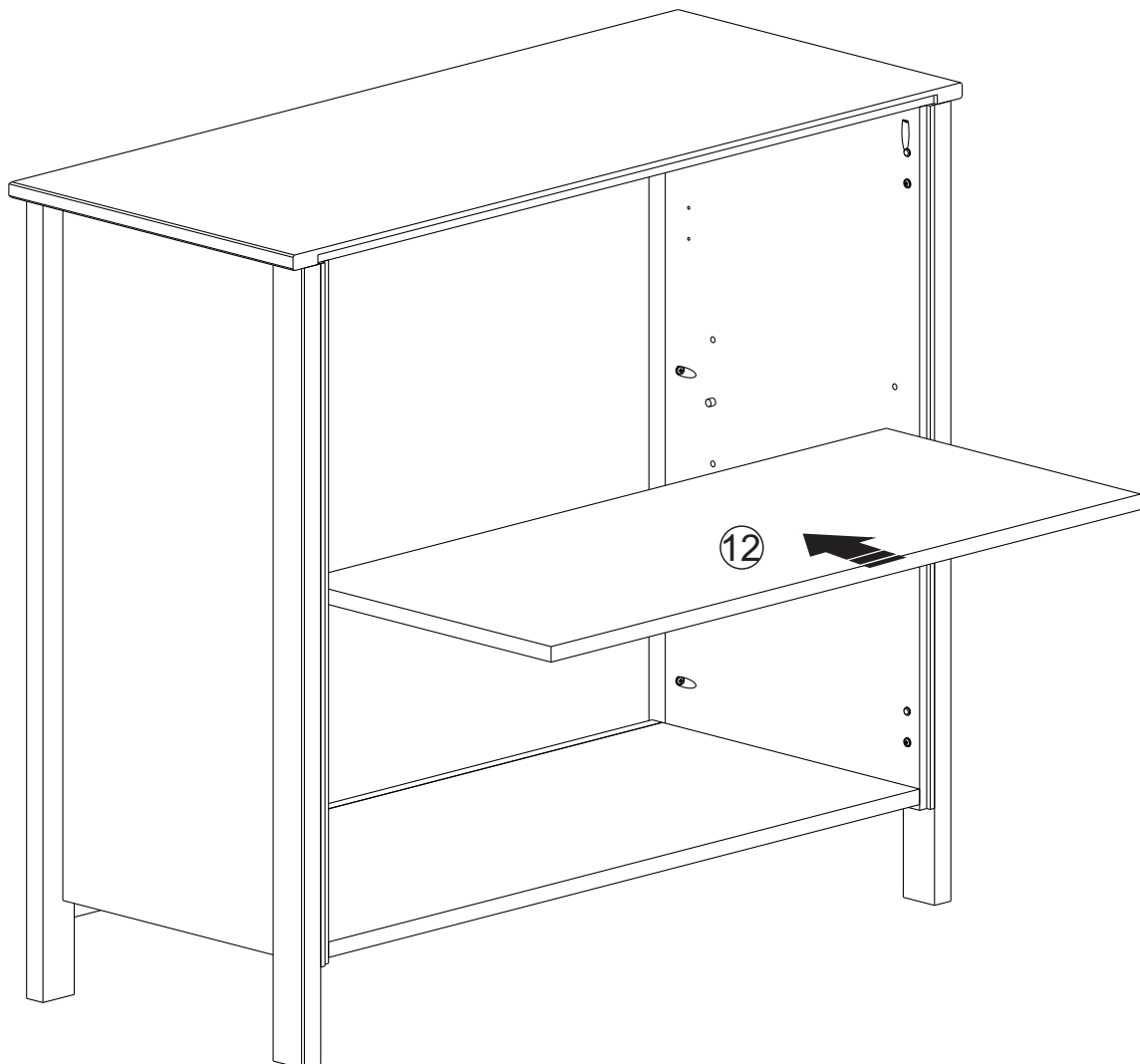
J		3,5x25	01
B		3,5x30	10

5)

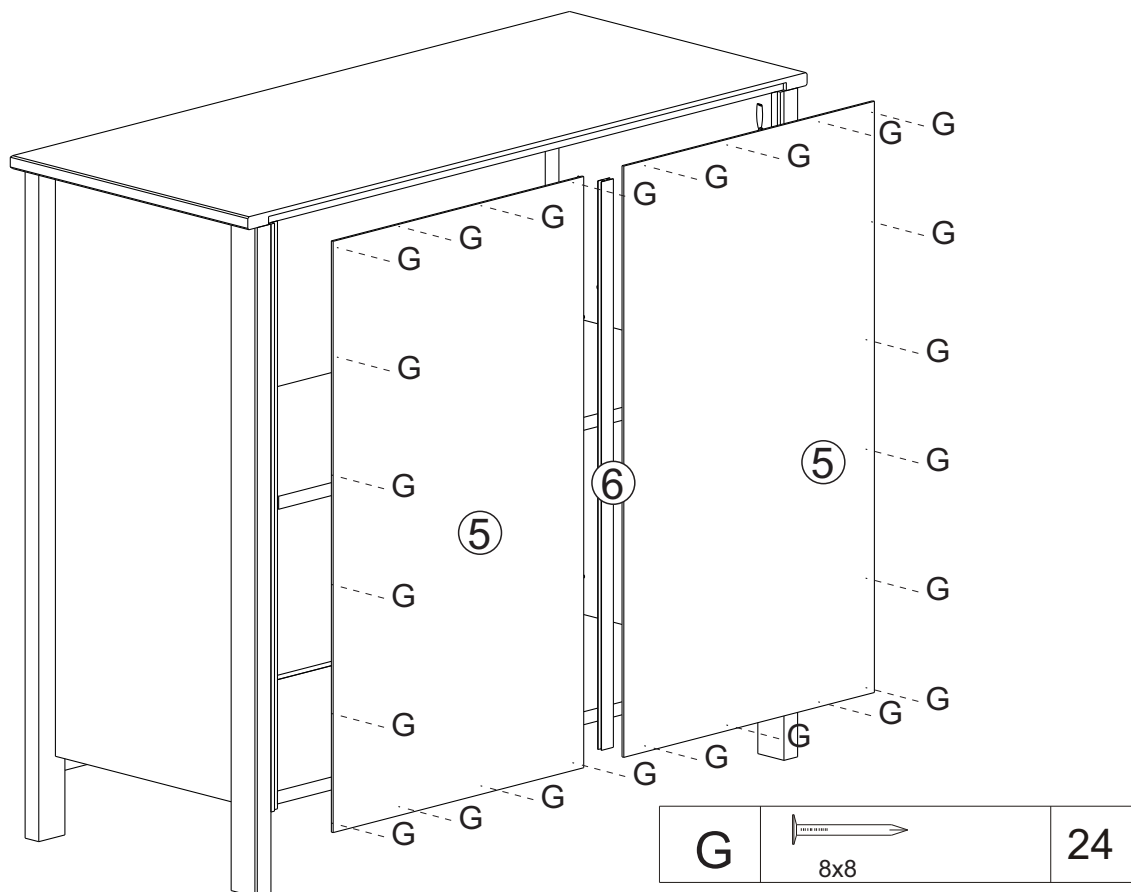


J		3,5x25	01
B		3,5x30	06

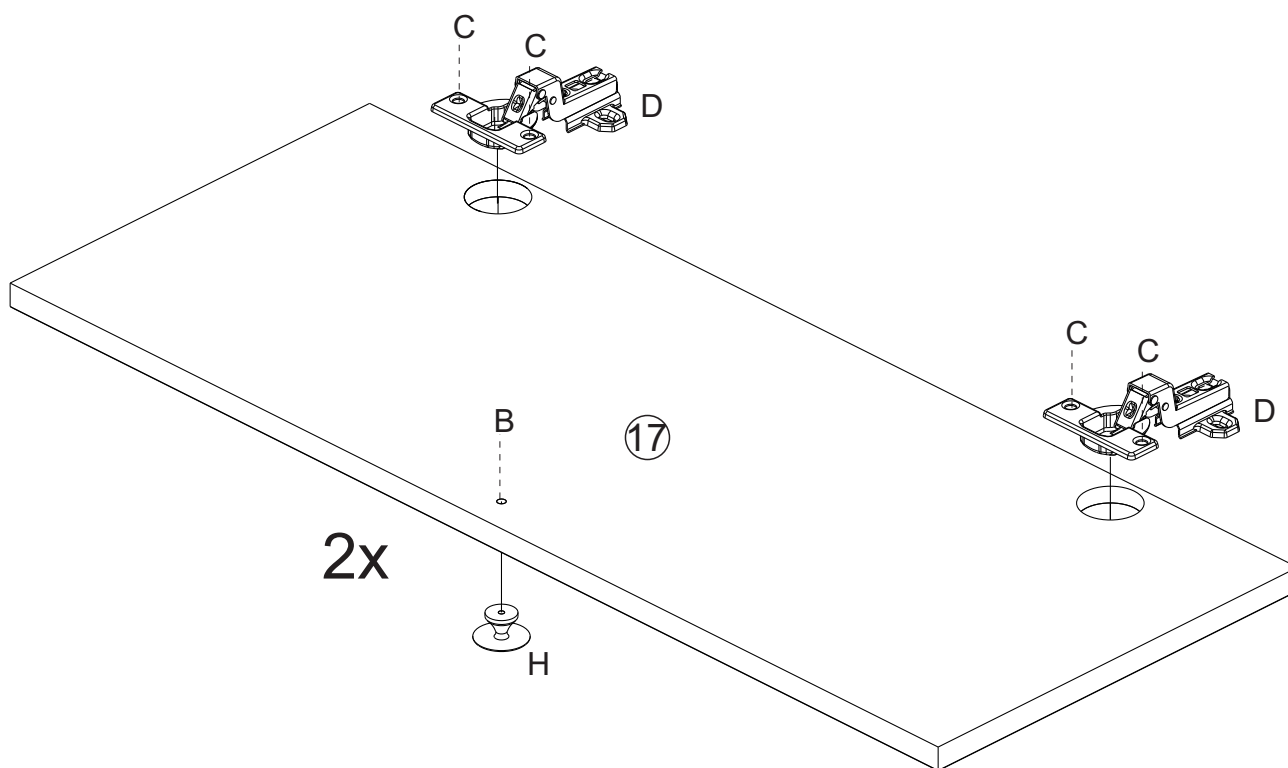
6)

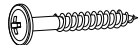


7)




8)



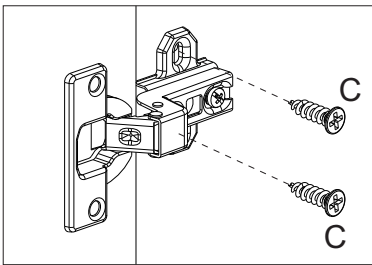
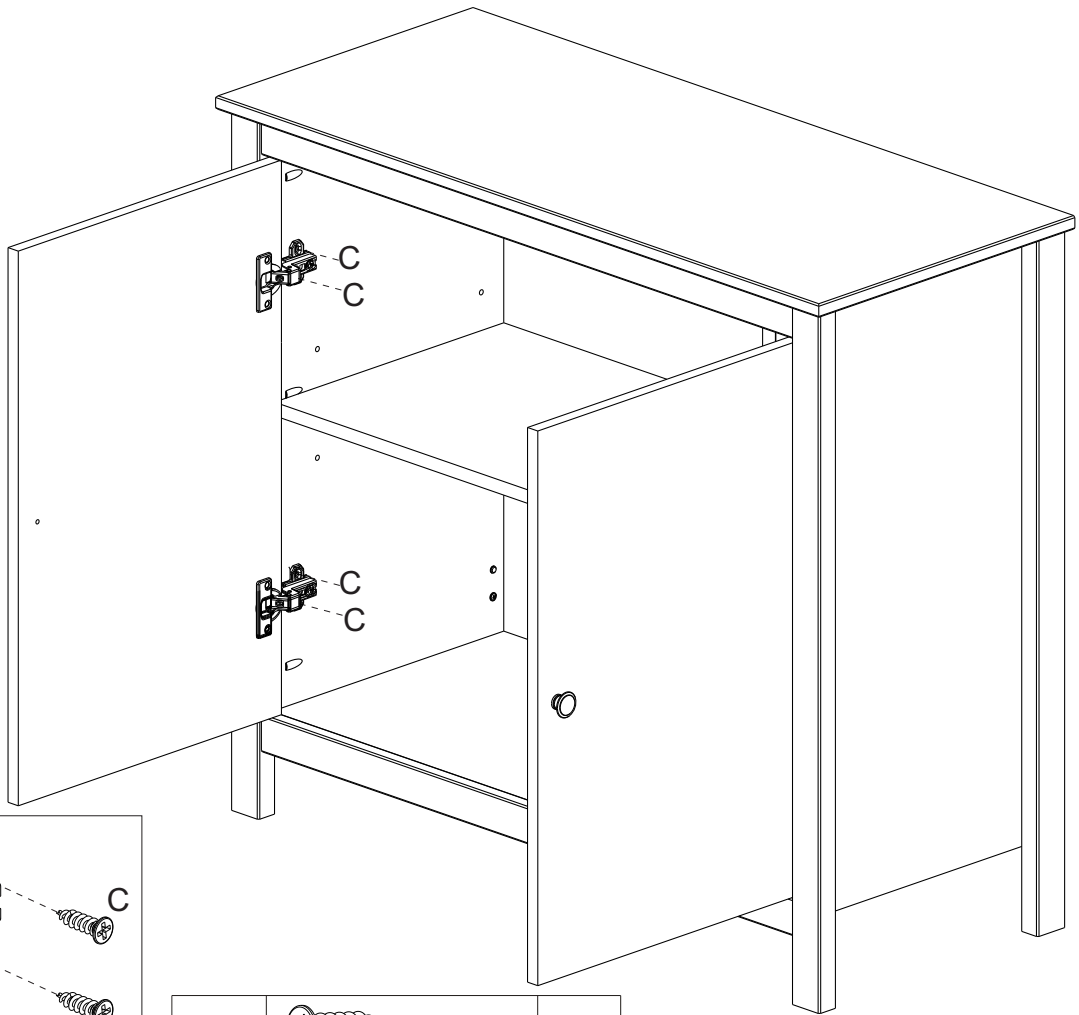
B		3,5x30	02
---	---	--------	----

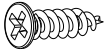
H			02
---	---	--	----

C		3,5x14	08
---	---	--------	----

D			04
---	---	--	----

9)



C		3,5x14	08
---	---	--------	----