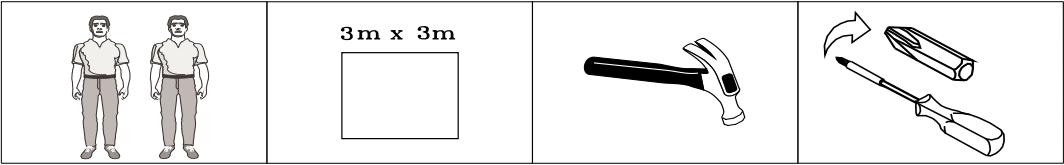
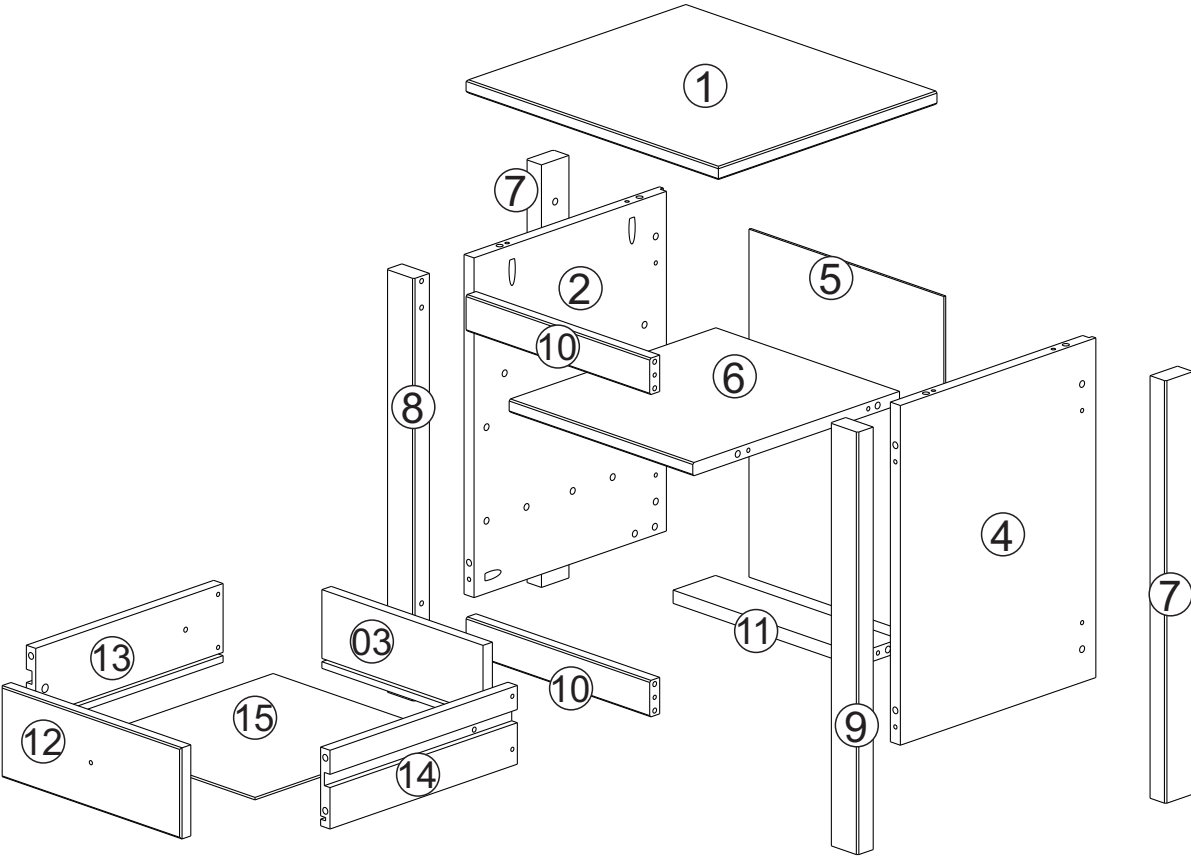
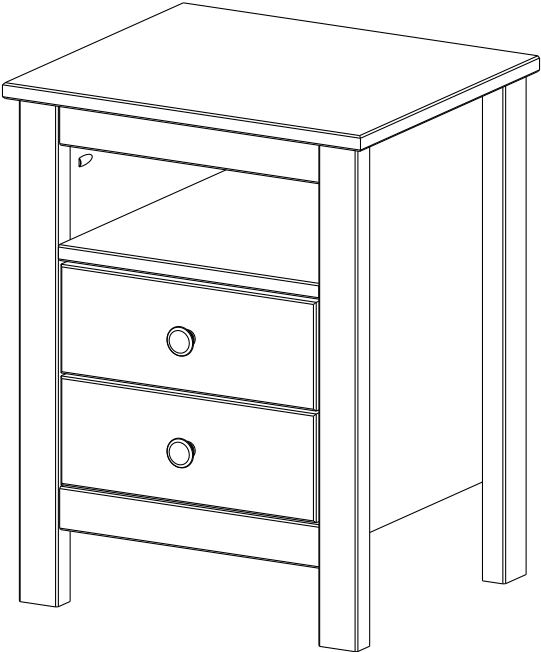

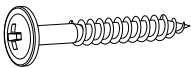
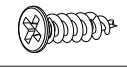
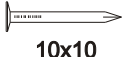
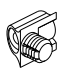





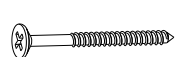


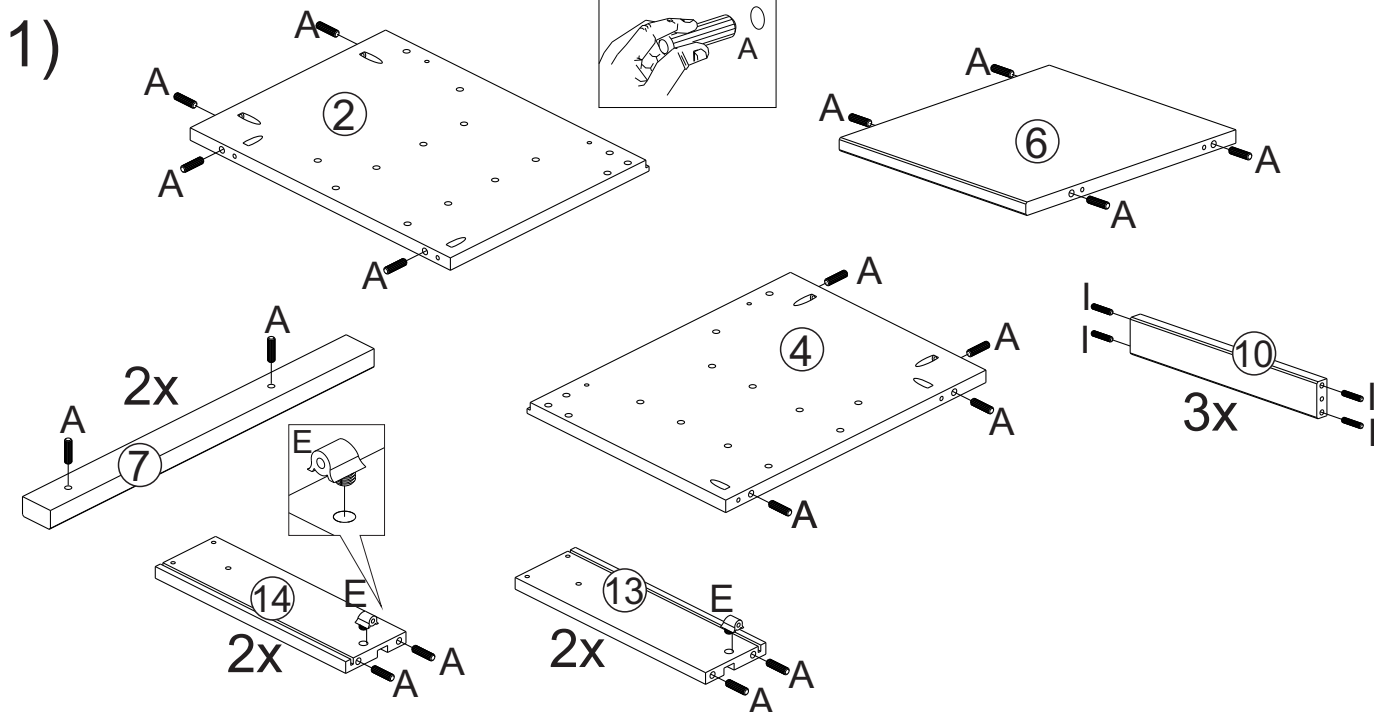
MESA CABECEIRA 2 GAVETAS


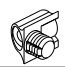



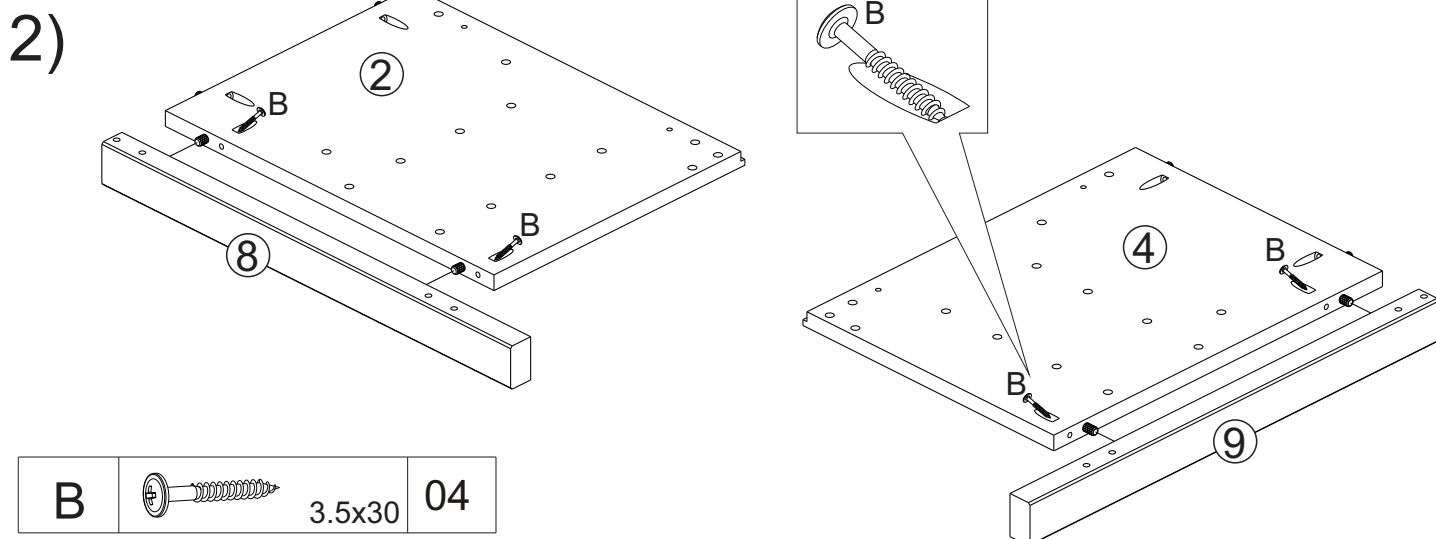
Ferragens

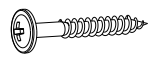
A		8x25	24
B		3,5x30	24
C		3,5x14	12
D		10x10	14
E			04
F			04

G			04
H		PUXADOR	02
I		6x30	12
J		3,5x25	04
K		3,0x30	08

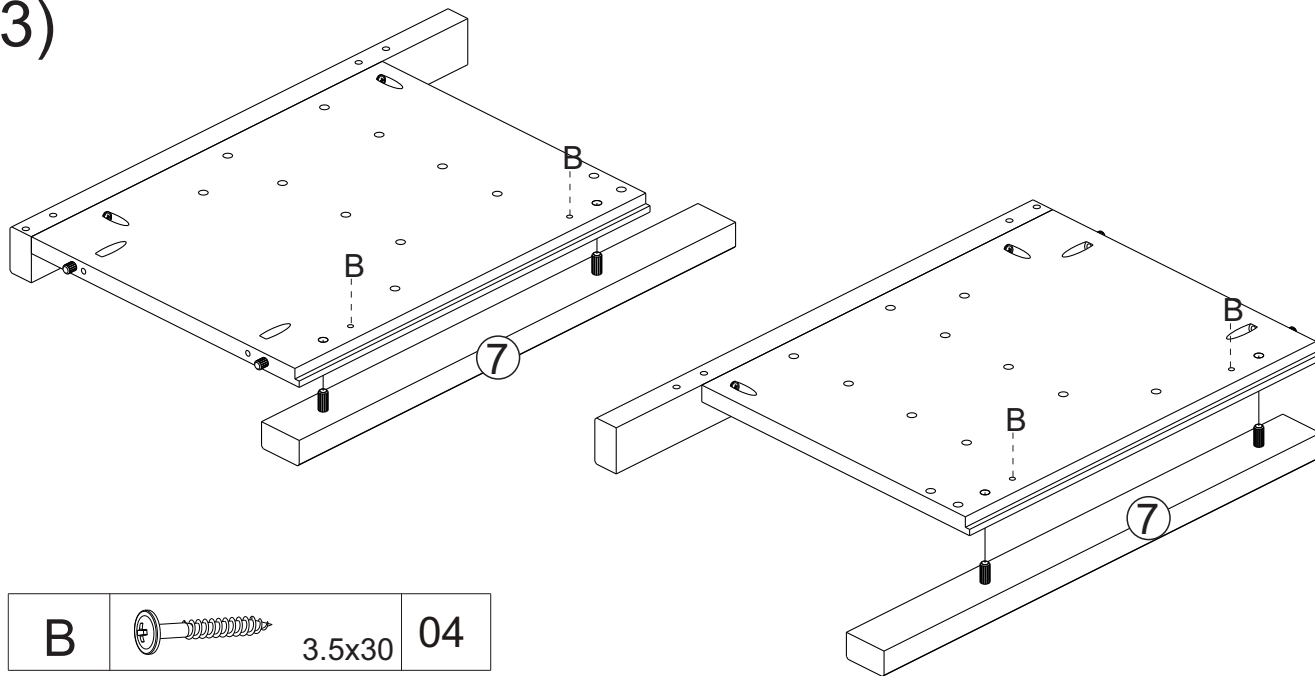


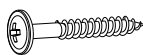
A		8 X 25	24	E		04	I		6 X 30	12
---	---	--------	----	---	---	----	---	---	--------	----



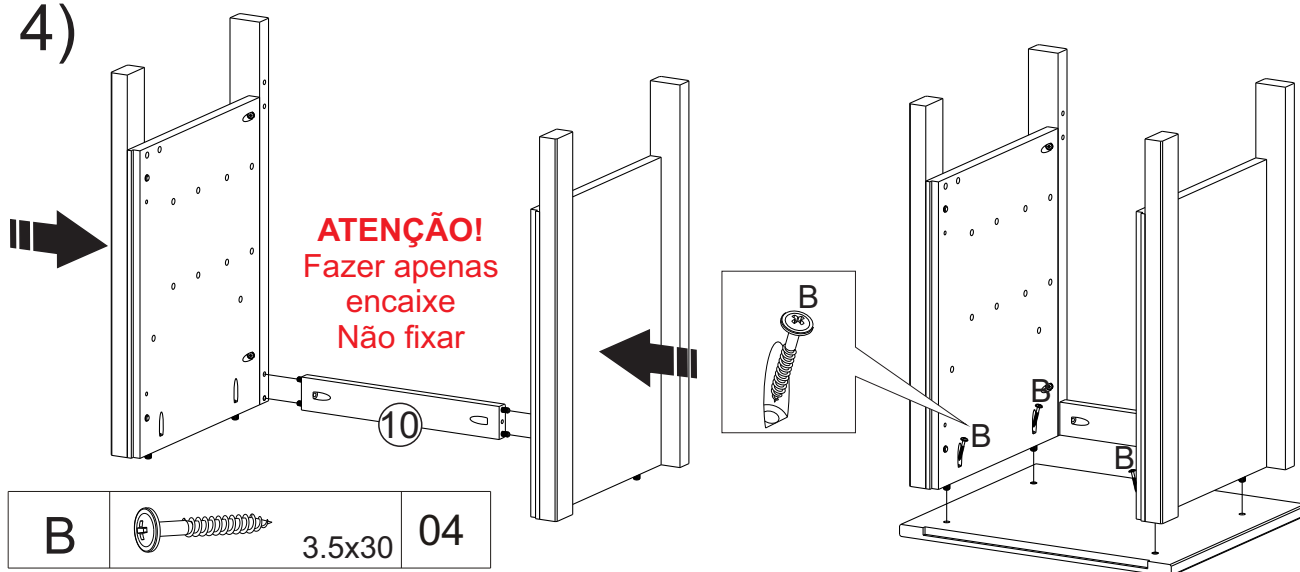
B		3.5x30	04
---	---	--------	----

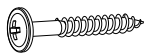
3)



B		3.5x30	04
---	---	--------	----

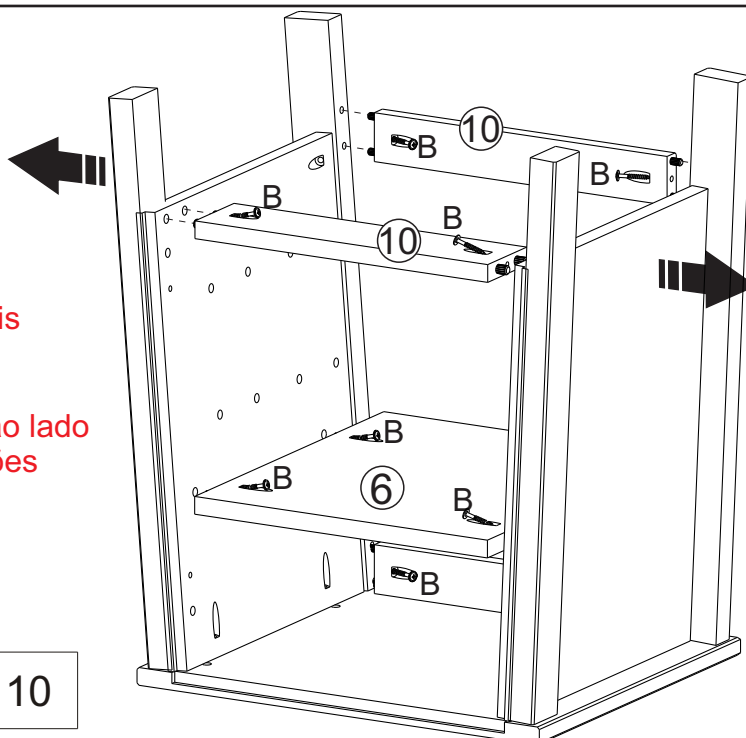
4)

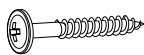


B		3.5x30	04
---	---	--------	----

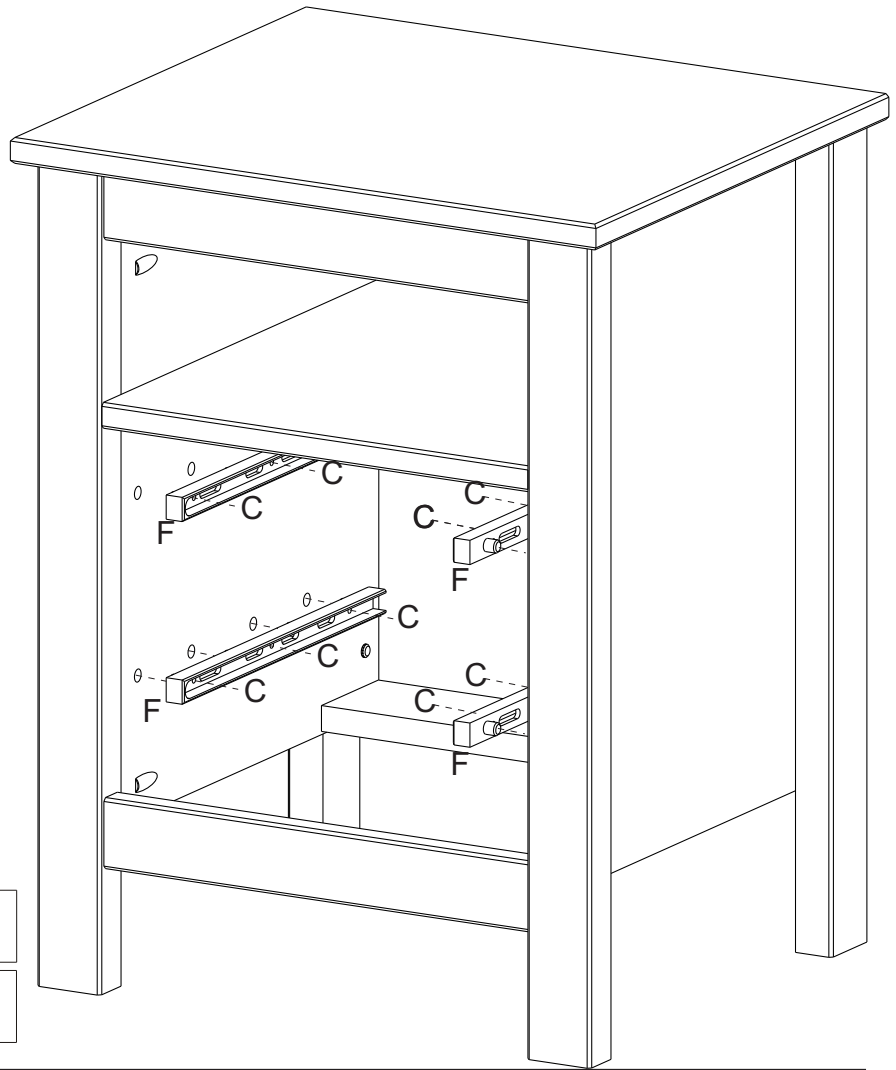
5)



ATENÇÃO!
 Abrir levemente as laterais
 de modo que conseguir
 encaixar as peças
 conforme mostra a ilustraçã
 ao lado em seguida fazer
 as fixações



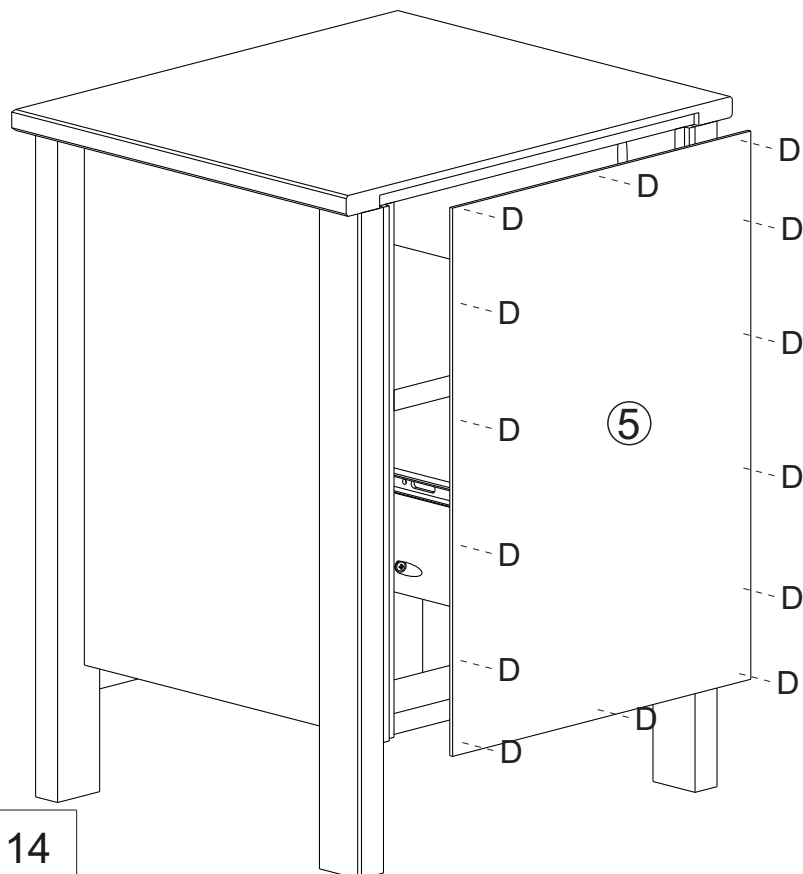
B		3.5x30	10
---	---	--------	----

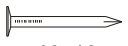
6)



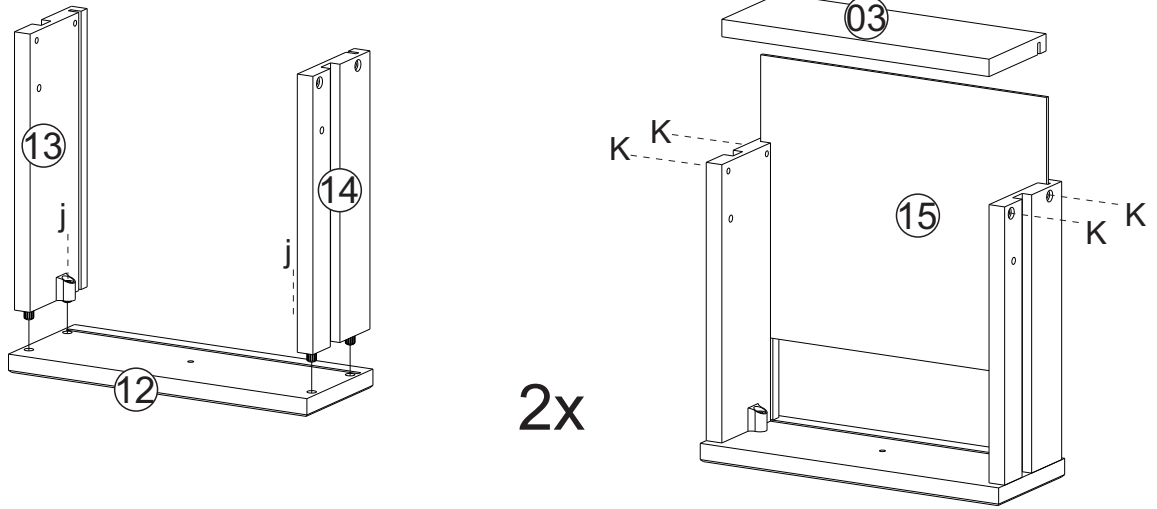
C	 3,5X14	12
F		04

7)

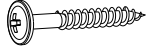





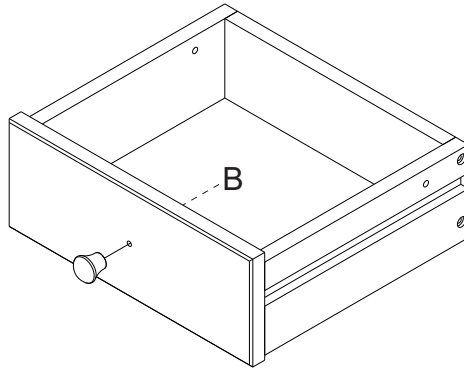
D	 10x10	14
---	---	----

8)

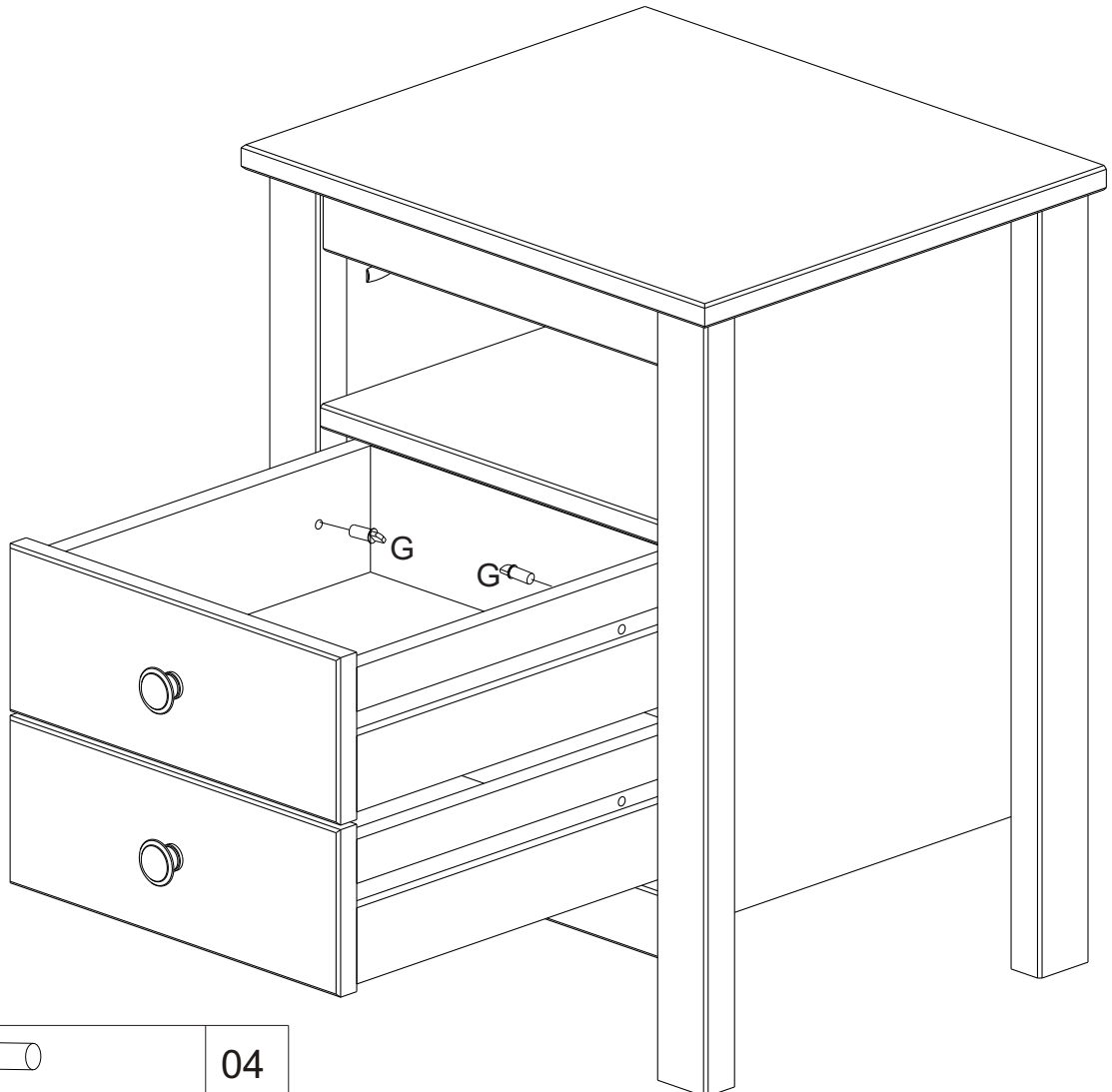


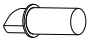
2x

B		3.5x30	02
H			02
J		3,5x25	04
K		3.0x30	08



9)



G			04
---	---	--	----