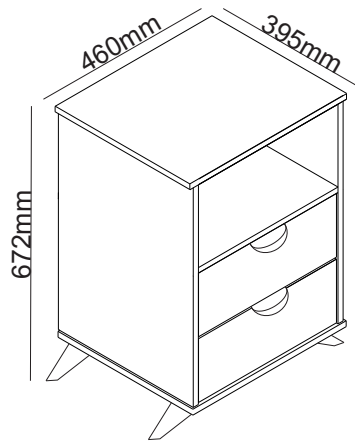
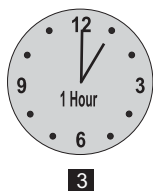
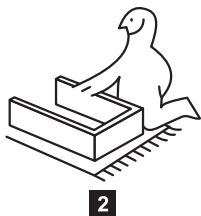
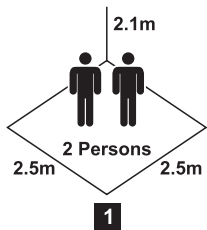


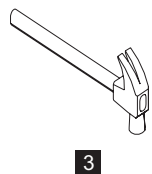
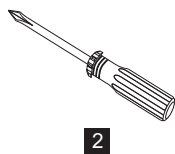
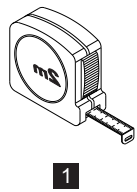
①



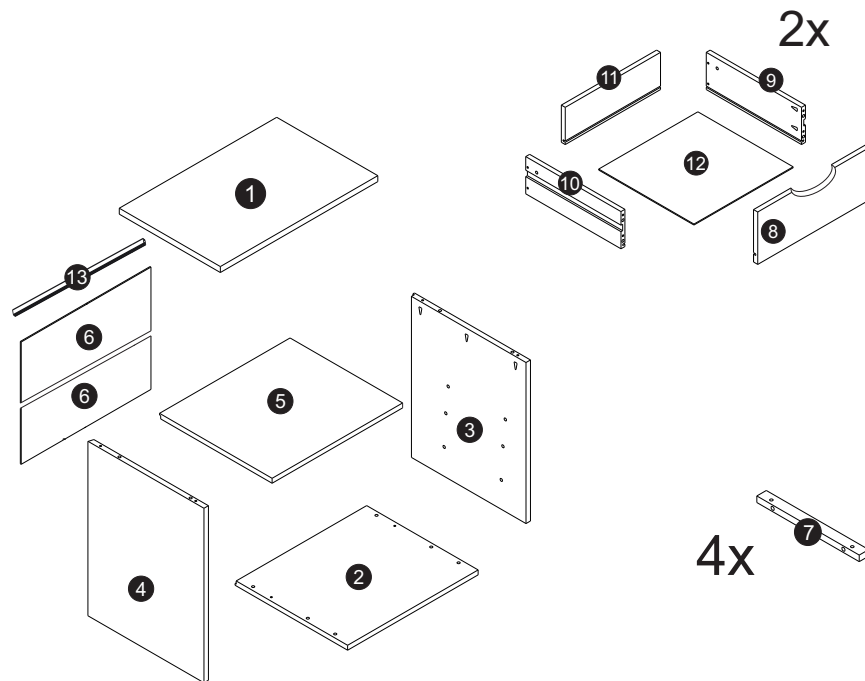
②

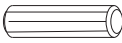



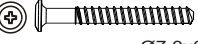








③

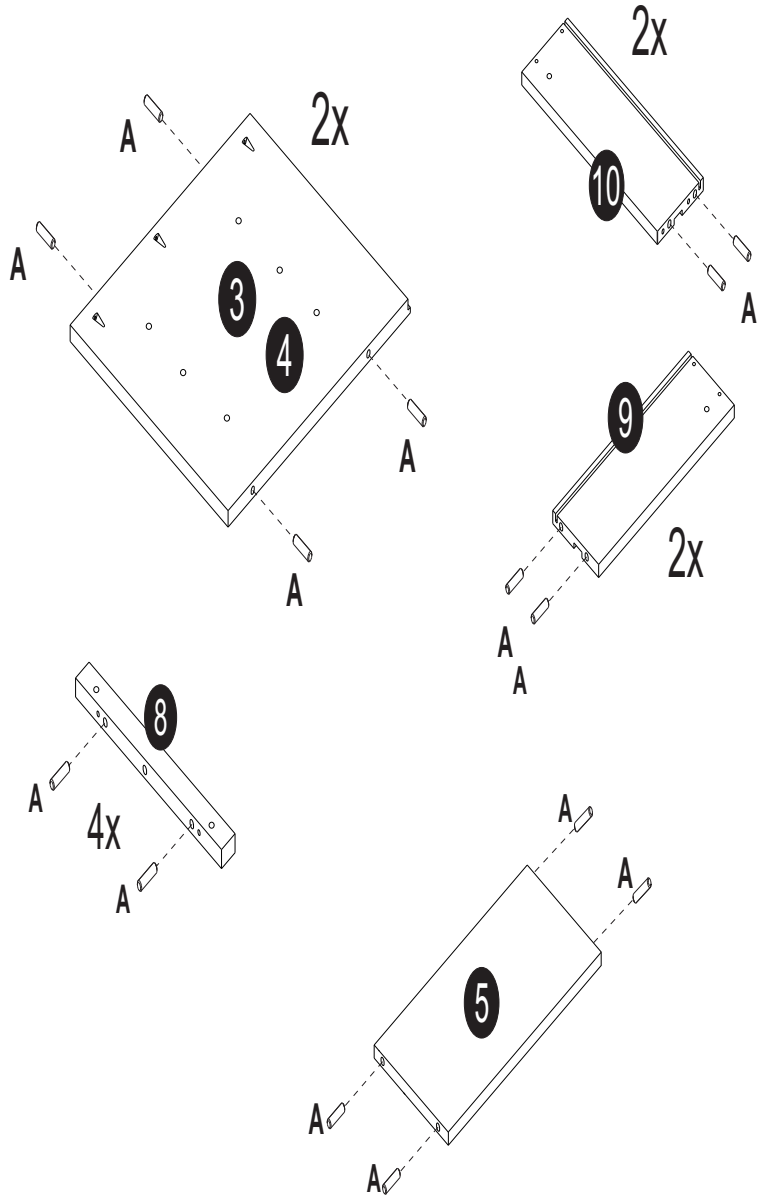


④



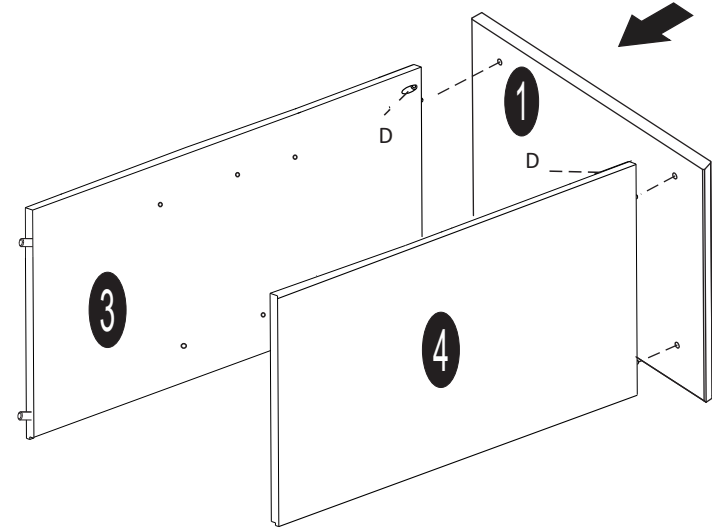
A	 Ø8,0x25	32	G	 8x8	16
B	 Ø8,0x40	4	H		4
C	 Ø7,0x60	4	I		2
D	 Ø3,5x30	32	J		1
E	 Ø3,5x35	12	K	 Ø3,5x16	1
F		1			

01



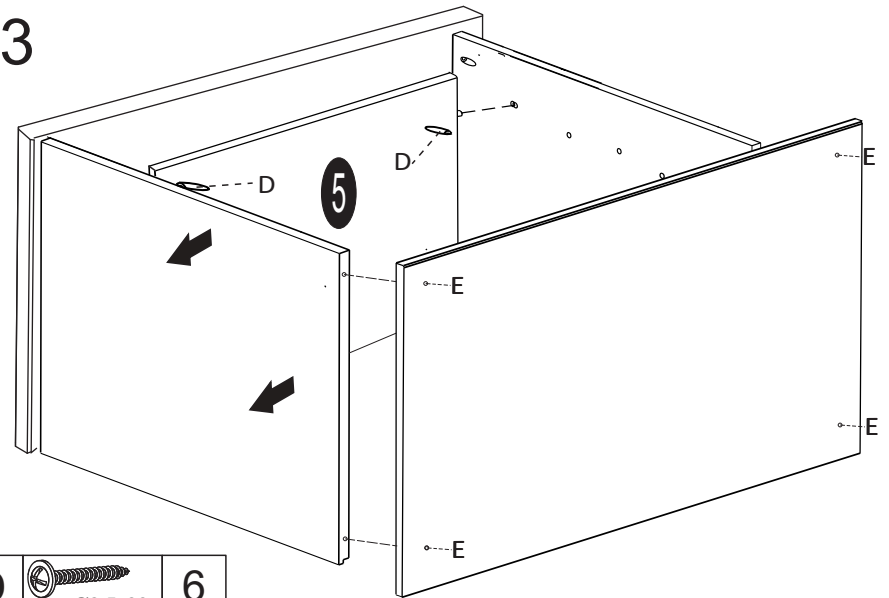
A		28
----------	--	-----------

02



D		6
----------	--	----------

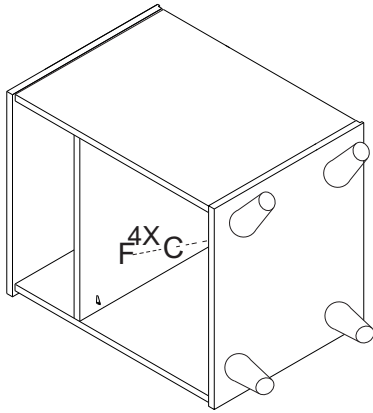
03



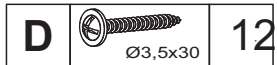
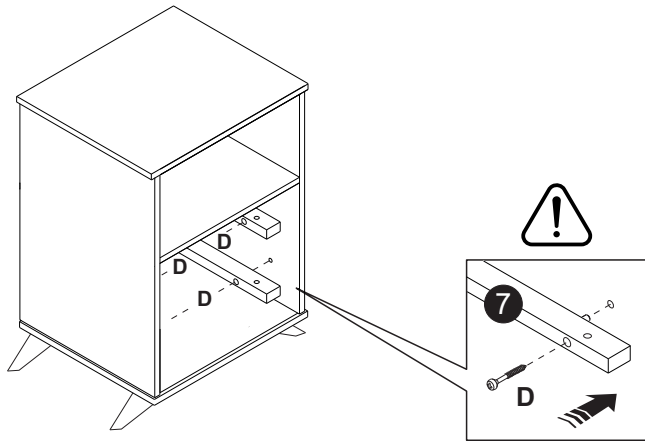
D		6
----------	--	----------

E		4
----------	--	----------

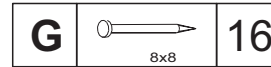
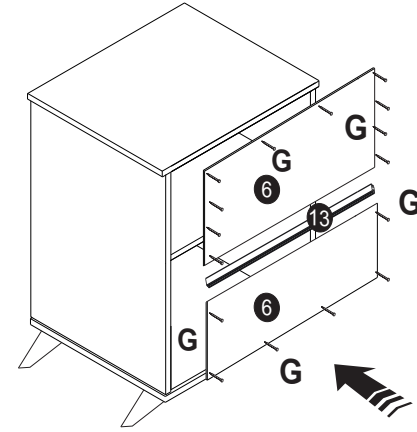
04



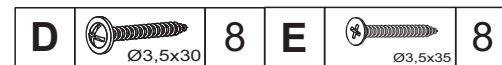
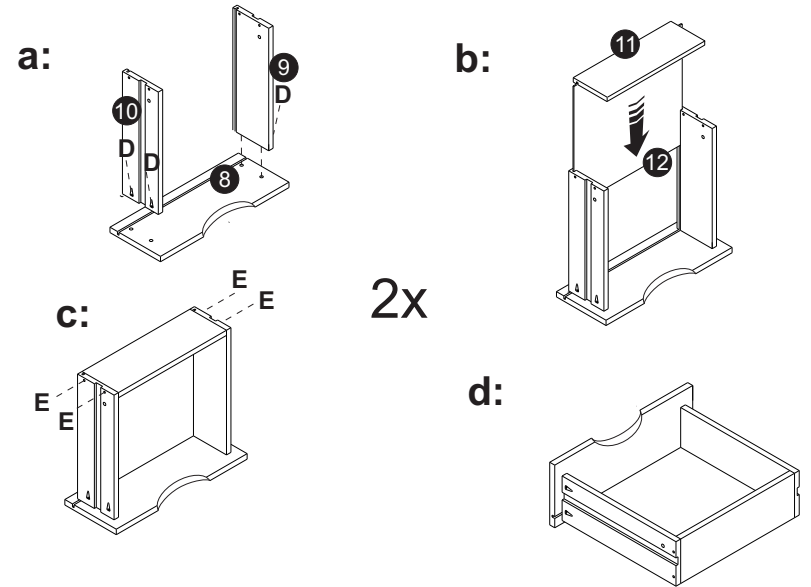
05



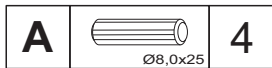
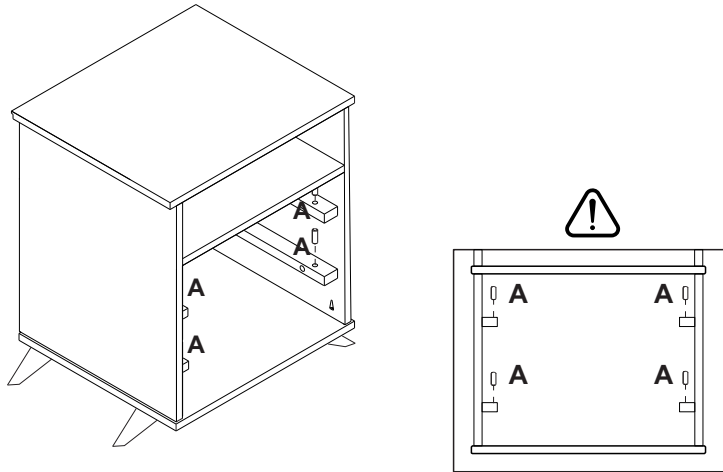
06



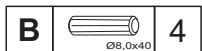
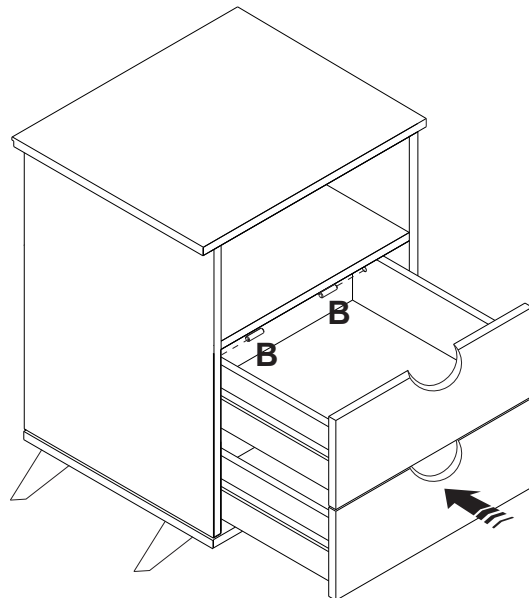
07



08



09



10

