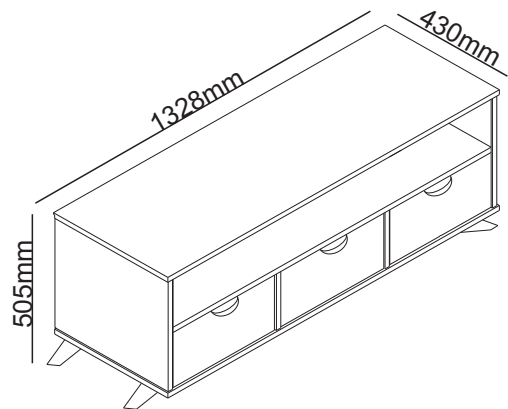
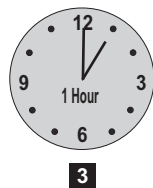
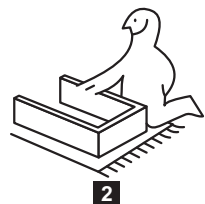
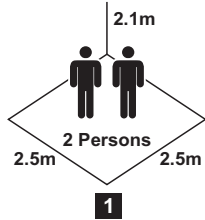


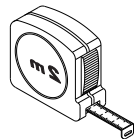
1



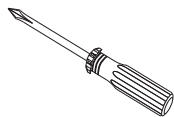
2



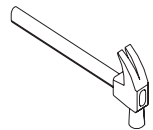
3



1

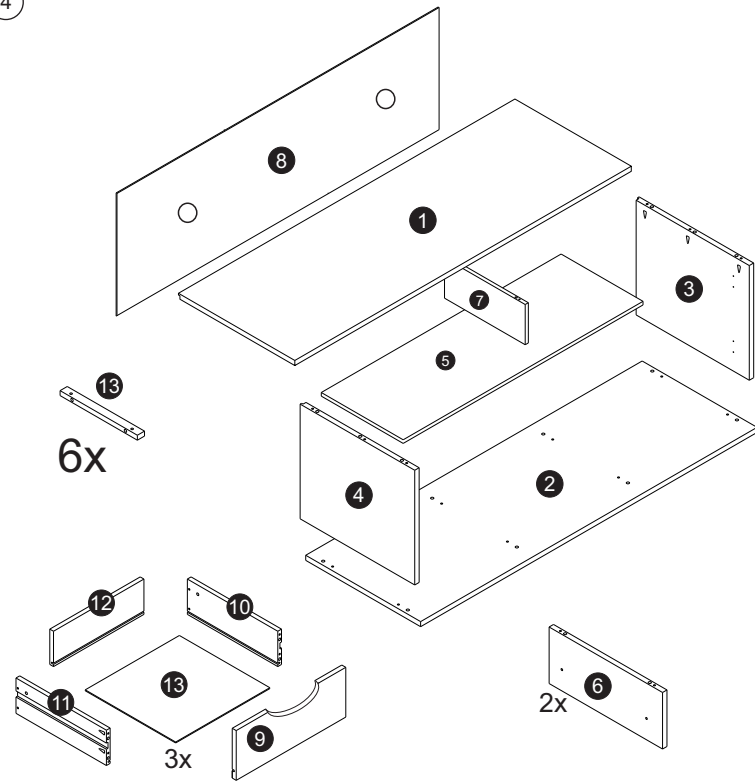


2



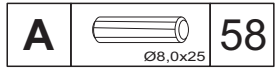
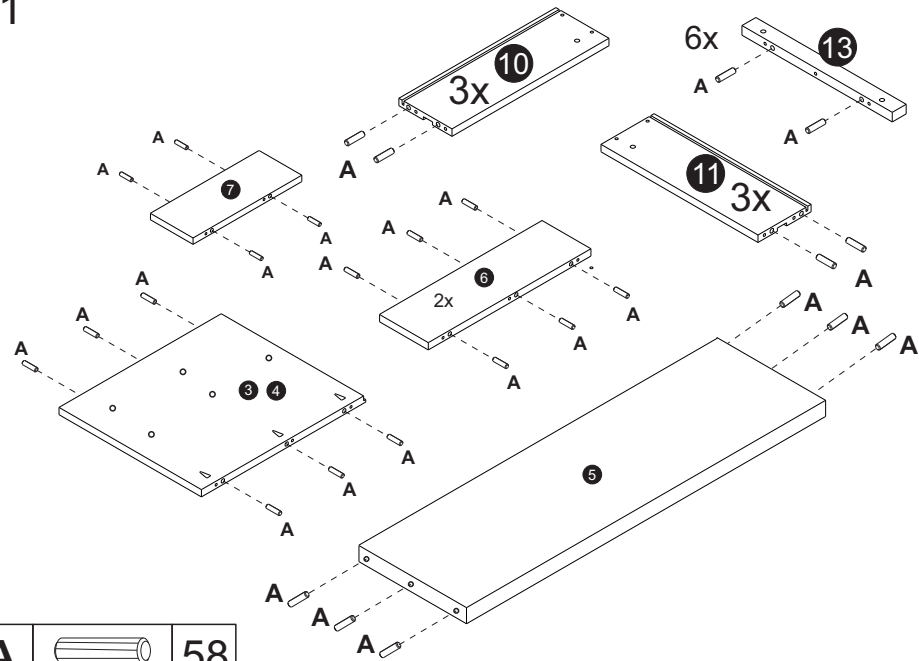
3

4

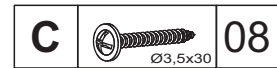
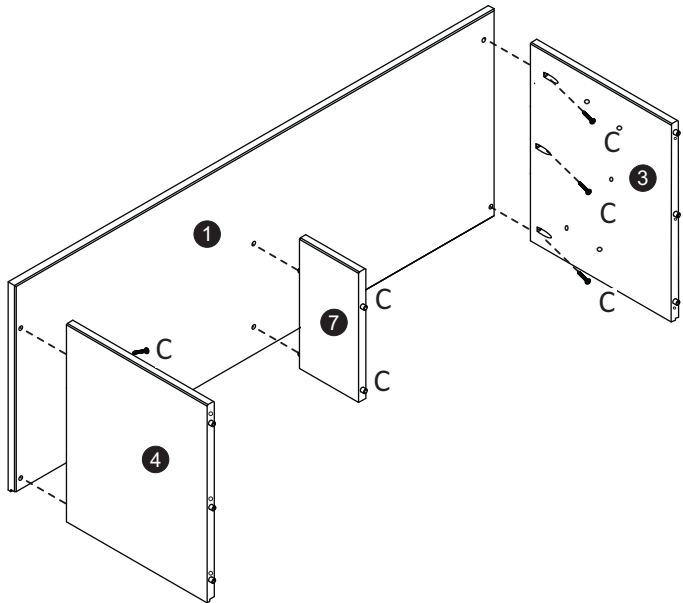


| | | |
|---|--|----|
| A | | 64 |
| B | | 04 |
| C | | 52 |
| D | | 20 |
| E | | 01 |
| F | | 06 |
| G | | 23 |
| H | | 04 |

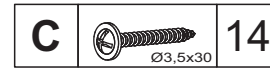
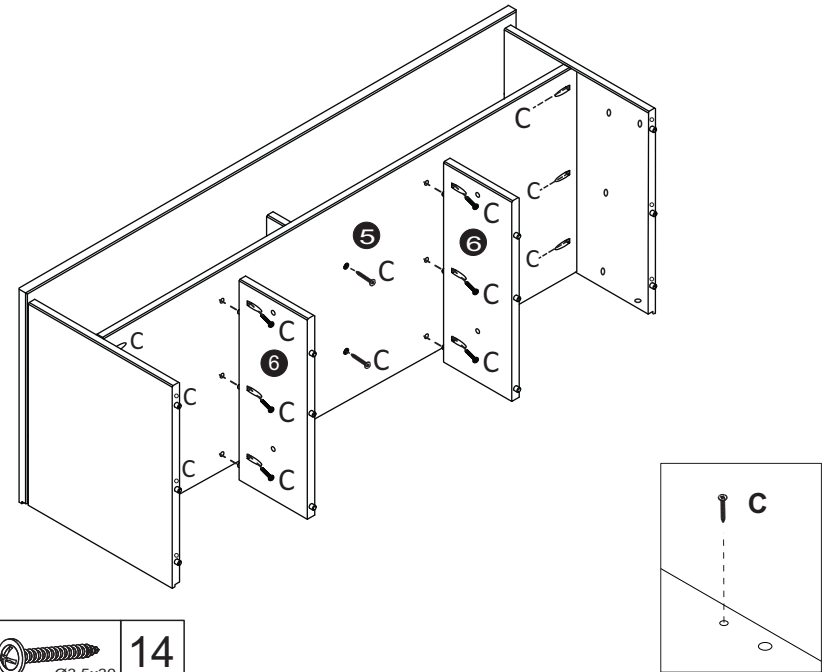
01



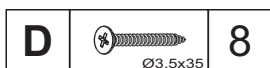
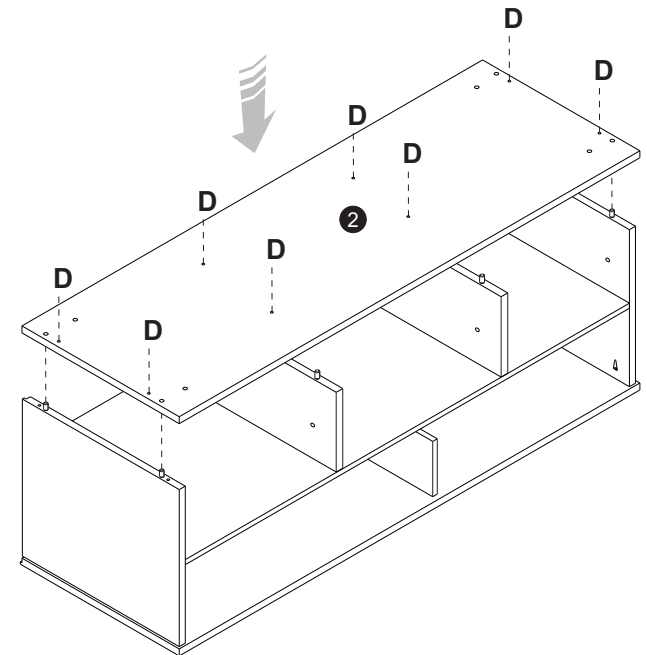
02



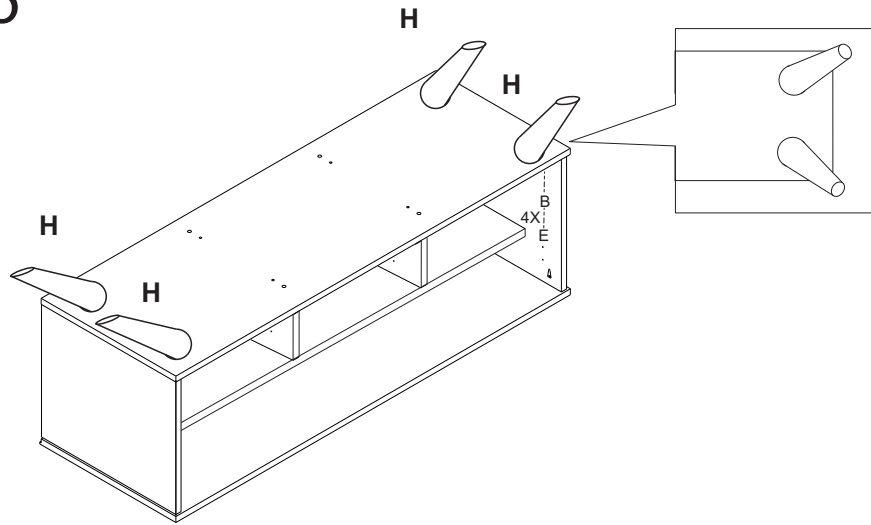
03



04

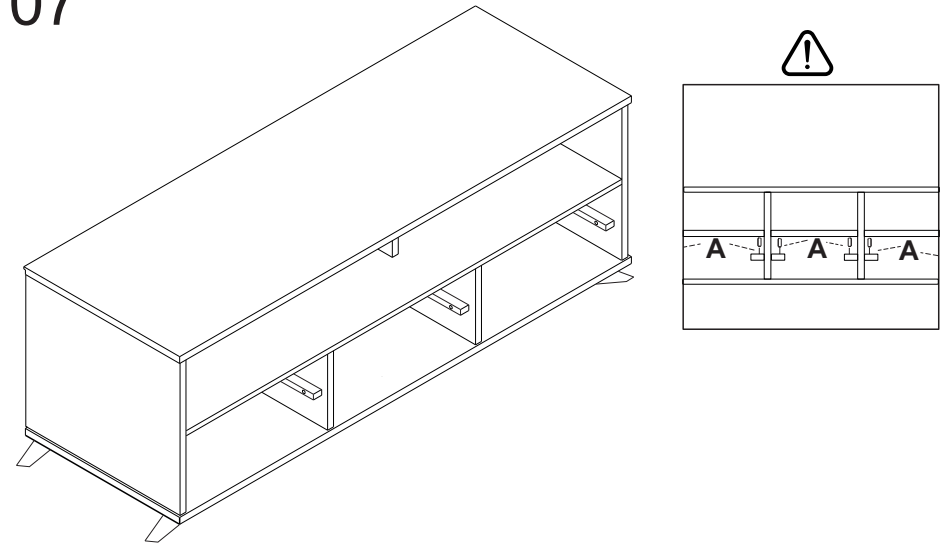



05



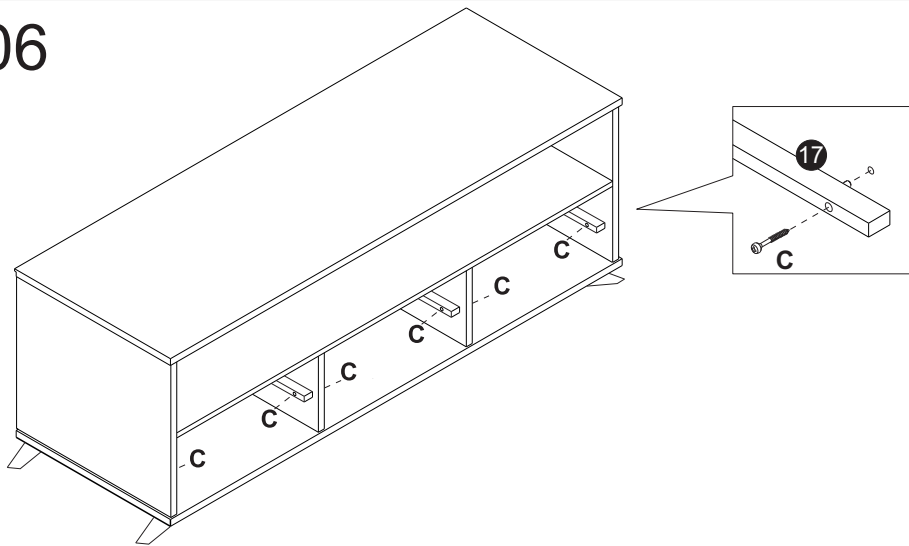
| | | | | | | | | |
|----------|---|----------|----------|---|----------|----------|---|----------|
| B |  | 4 | H |  | 4 | E |  | 1 |
| | 7.0 x 60 | | | | | | | |


07



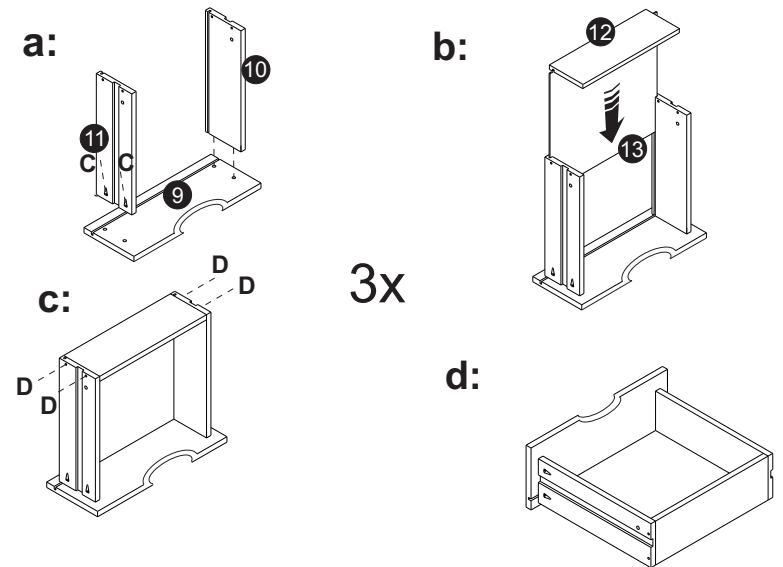
| | | |
|----------|---|----------|
| A |  | 6 |
| | Ø8,0x25 | |



06



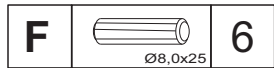
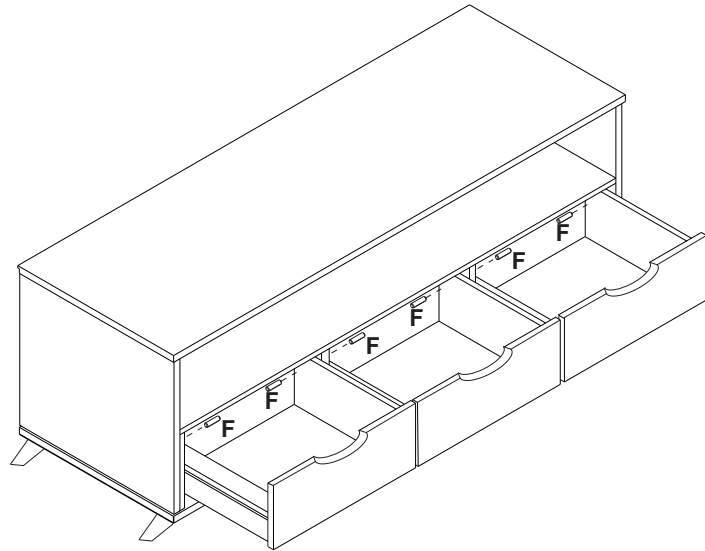
| | | |
|----------|---|-----------|
| C |  | 18 |
| | Ø3,5x30 | |

08



| | | | | | |
|----------|---|-----------|----------|---|-----------|
| C |  | 12 | D |  | 12 |
| | 3,5x30 | | | 3,5x35 | |

09



10

