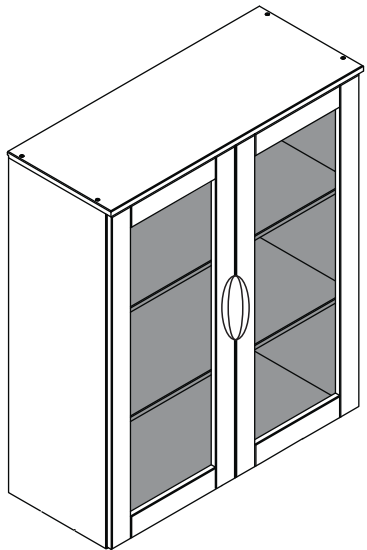
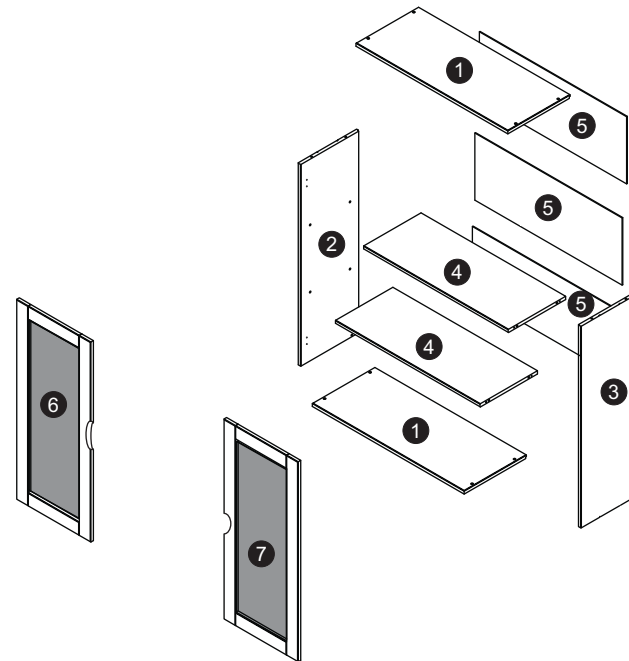


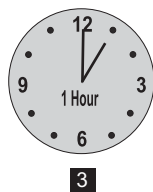
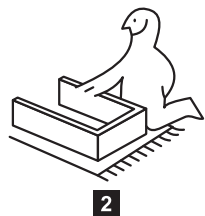
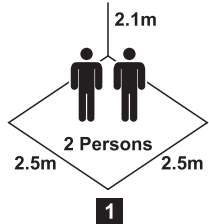
1



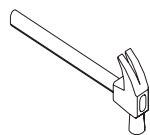
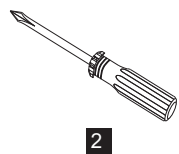
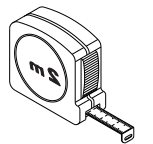
4












2

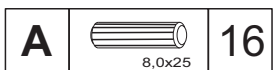
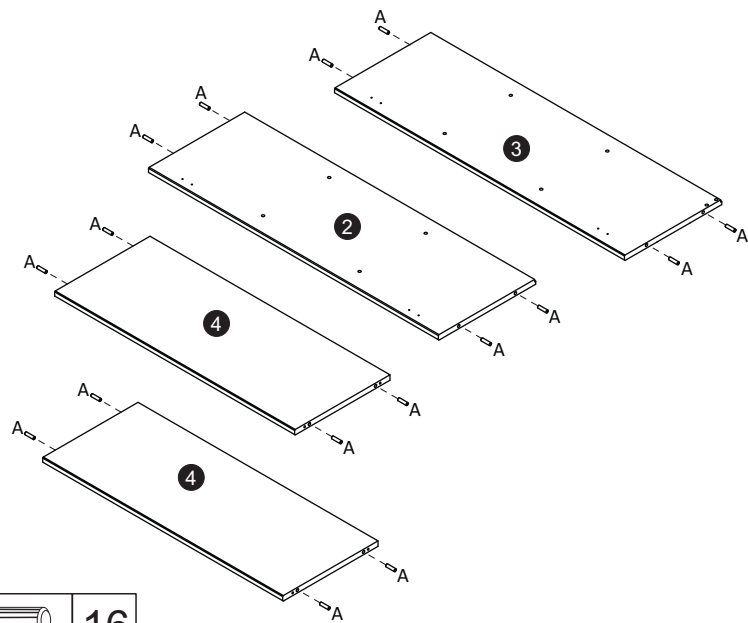


3

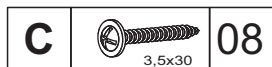
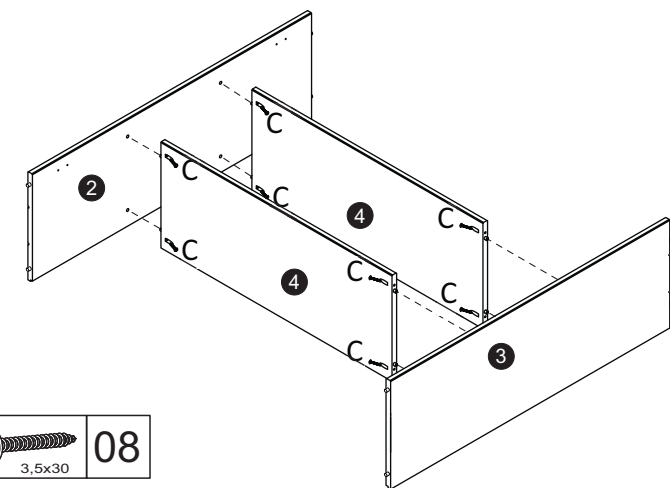


A	 8,0x25	16
B	 3,5x14	61
C	 3,5x30	16
D		2
E	 2x 	1
F	 8x8	50
G		4
H		20

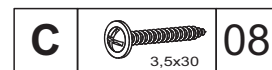
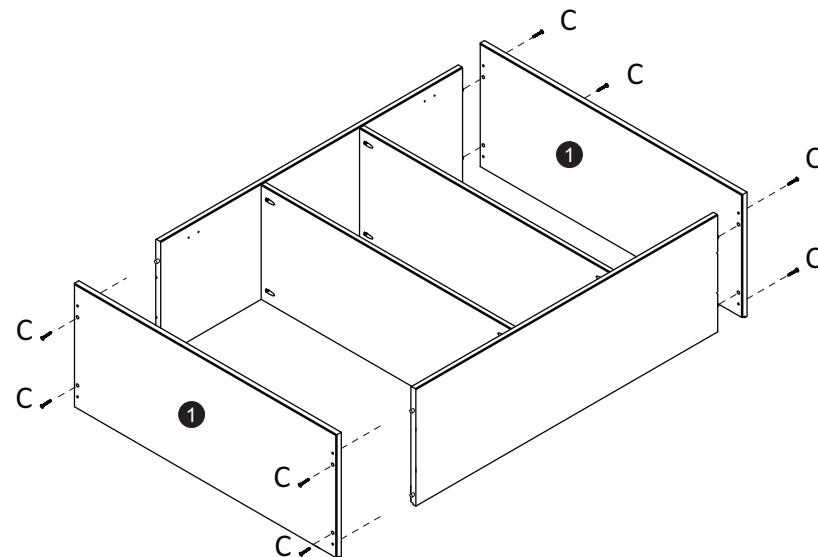
01



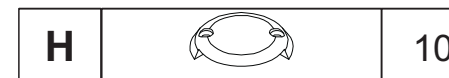
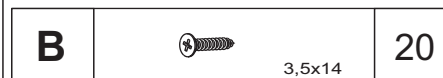
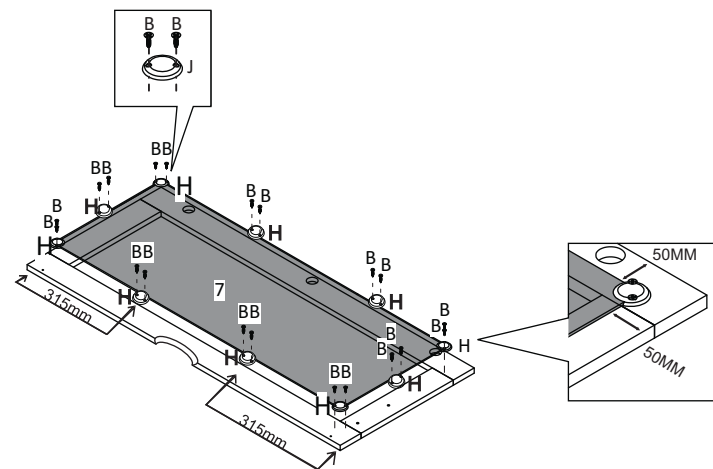
02



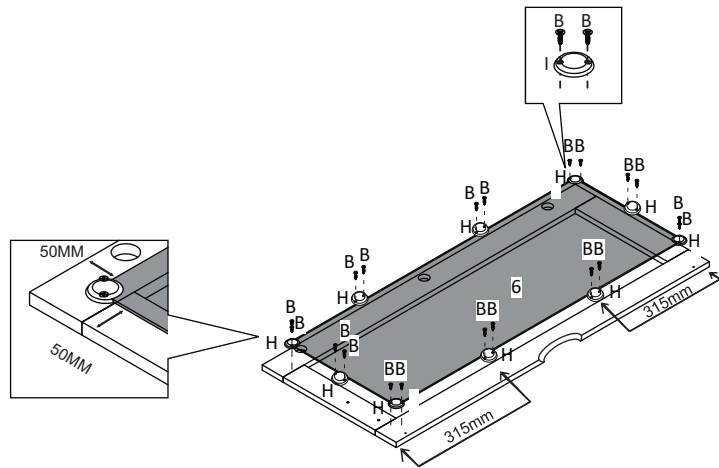
03



04

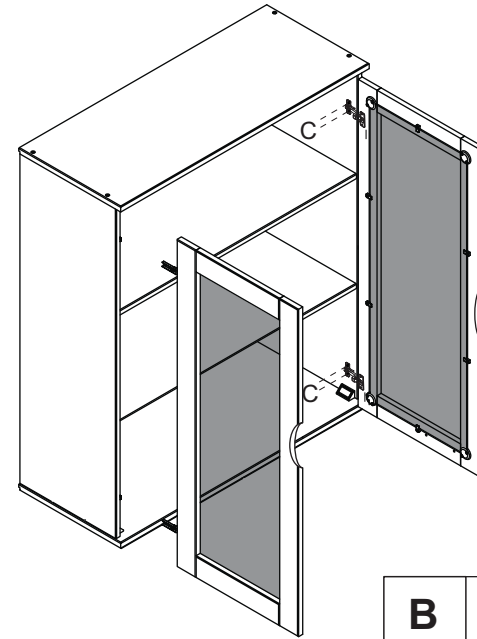


05



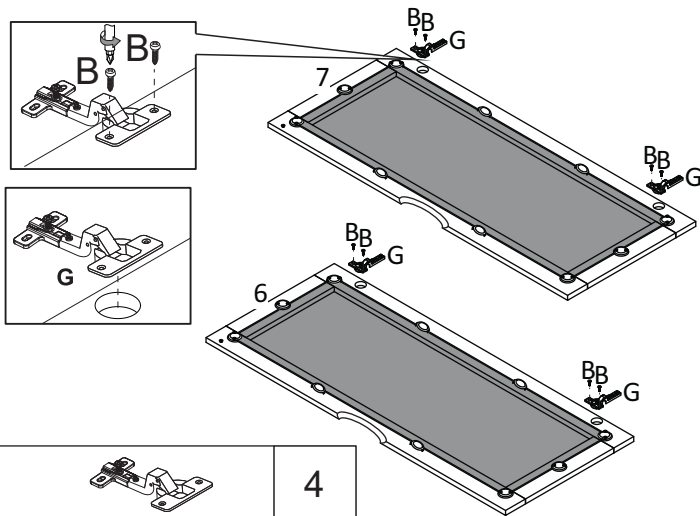
B		3,5x14	20	H		10
----------	---	--------	-----------	----------	---	-----------



07



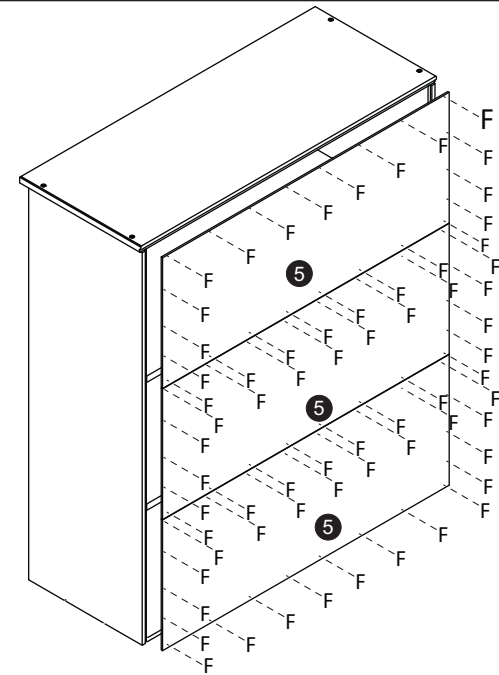
B		3,5x14	08
----------	---	--------	-----------


06



G		4	
B		3,5x14	8

08



F		8x8	50
----------	---	-----	-----------

