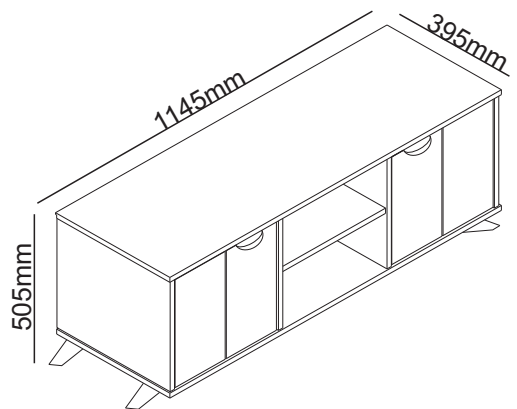
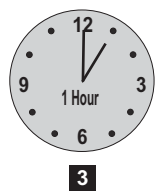
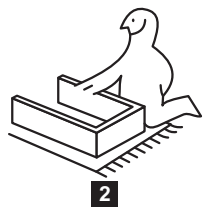
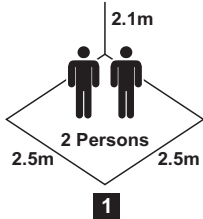


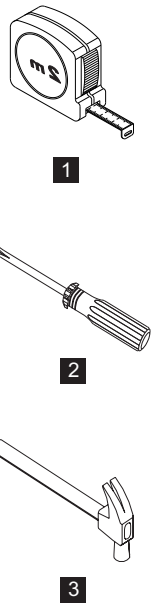
1



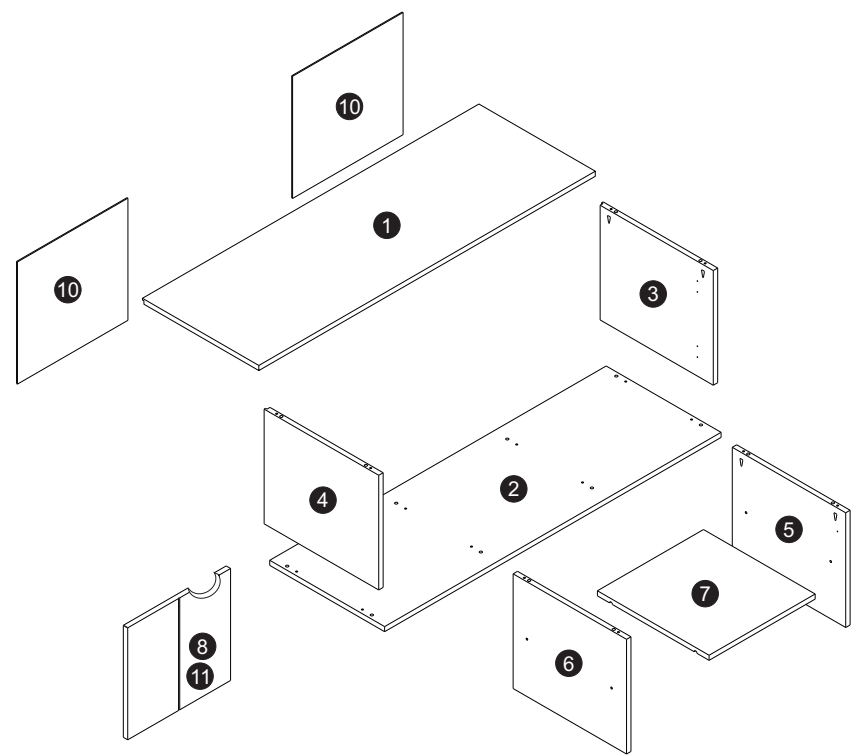
2



3

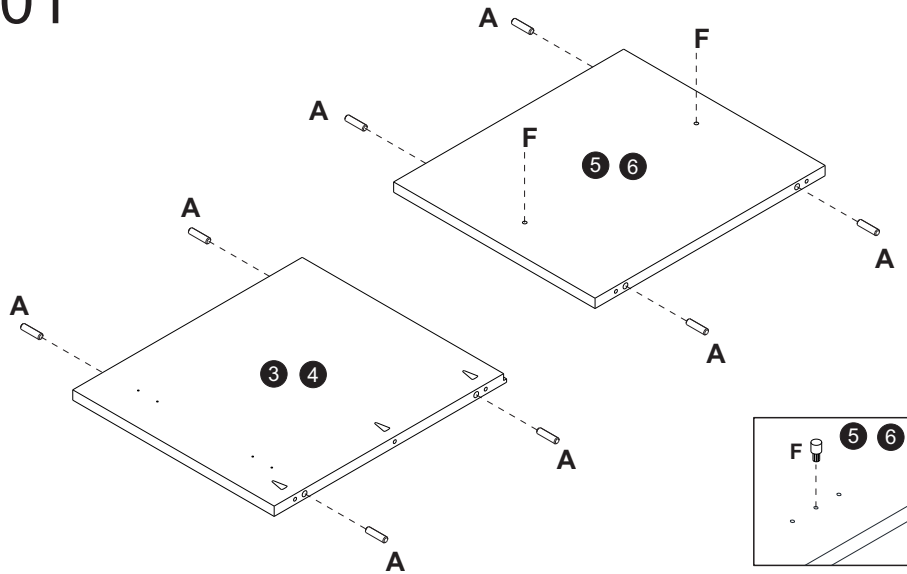


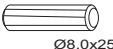
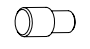
4



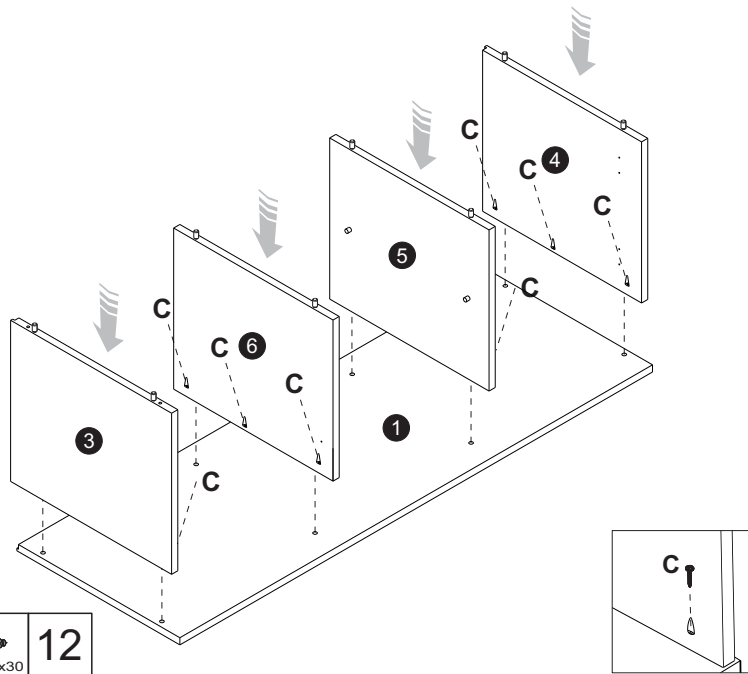
A	Ø8,0x25	16	I	02
B	Ø3,5x16	17	J	02
C	Ø3,5x30	14	K	3,5x14 8
D	Ø3,5x35	08	L	8 x 8 26
E	01	M	04	
F	04	N	02	
G	04	O	01	
H	7.0 x 60	04		


01



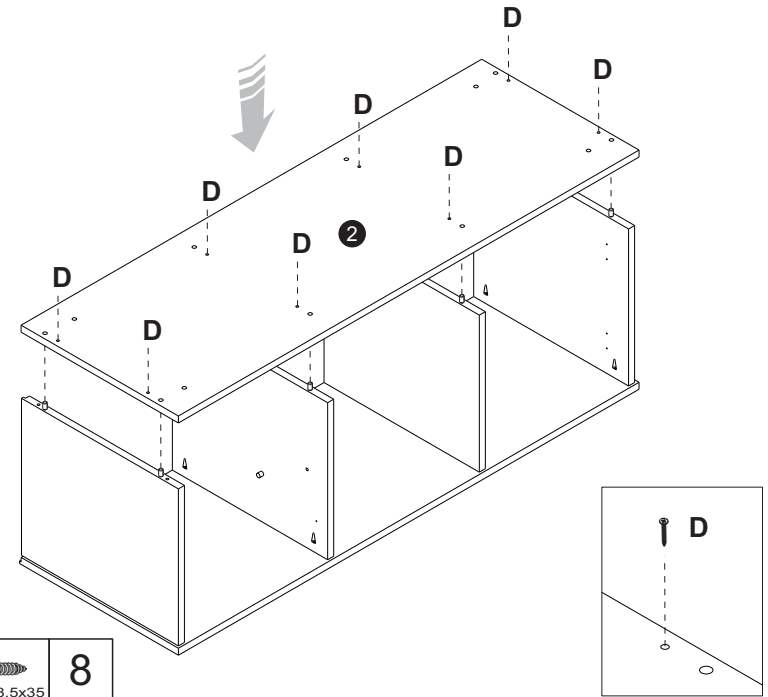
A		16	F		4
	Ø8,0x25				


02



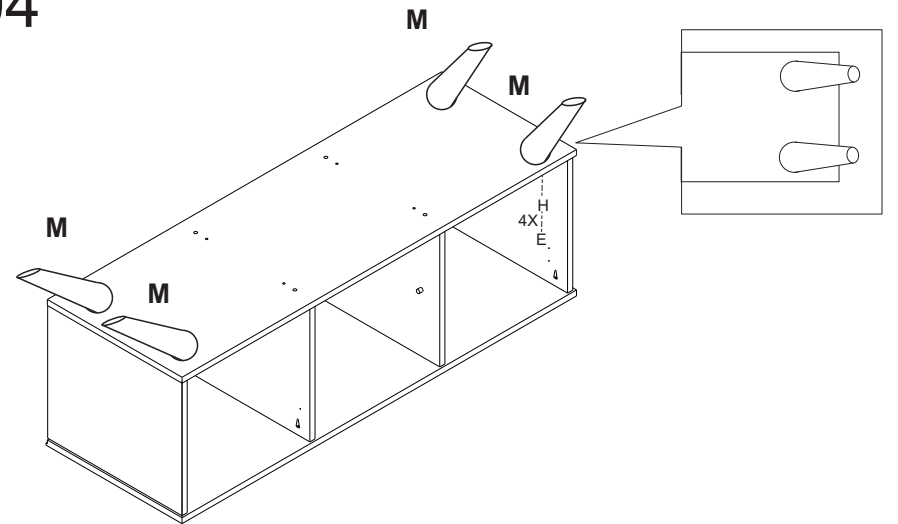
C		12
	Ø3,5x30	

03



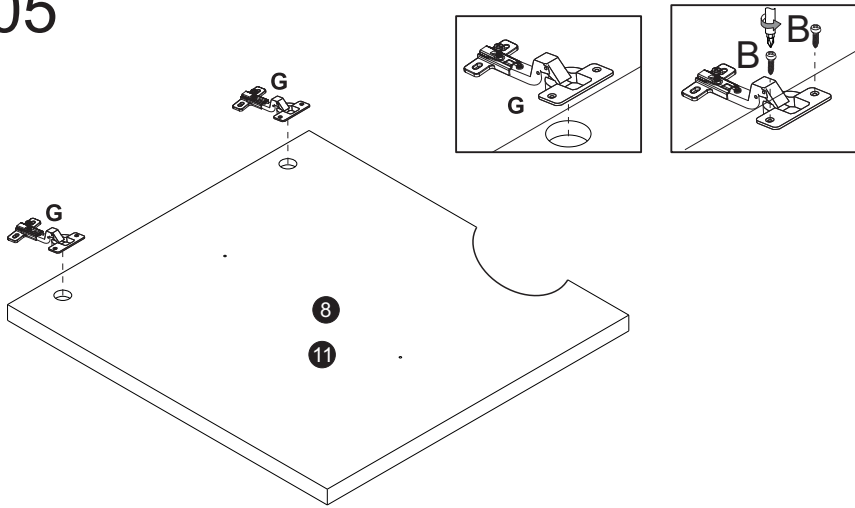
D		8
	Ø3,5x35	



04



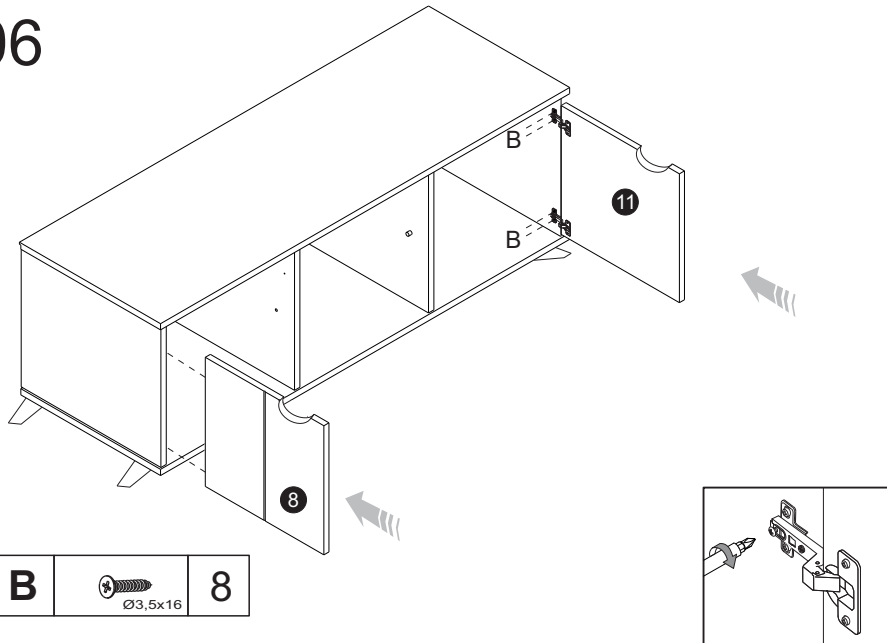
H		4	M		4	E		1
	7.0 x 60							

05



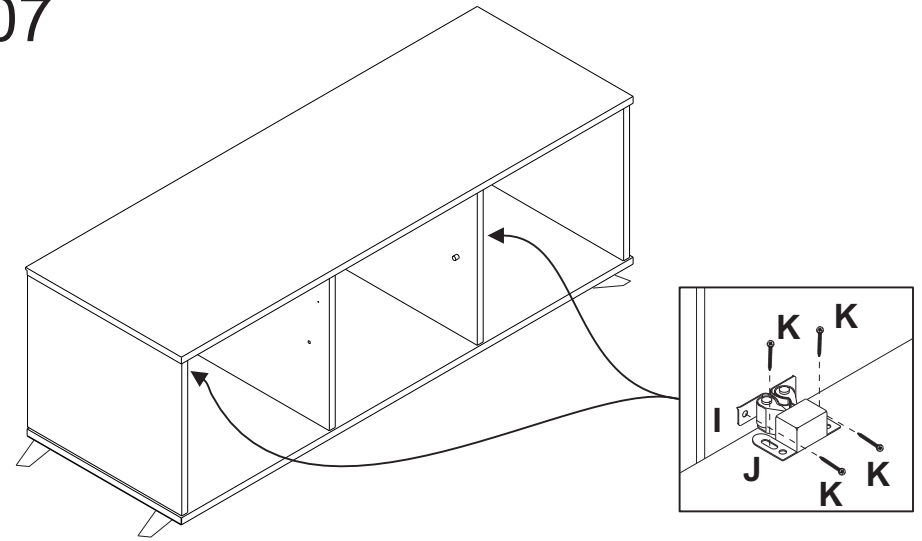
B		8	G		4
	$\text{Ø}3,5 \times 16$				




06



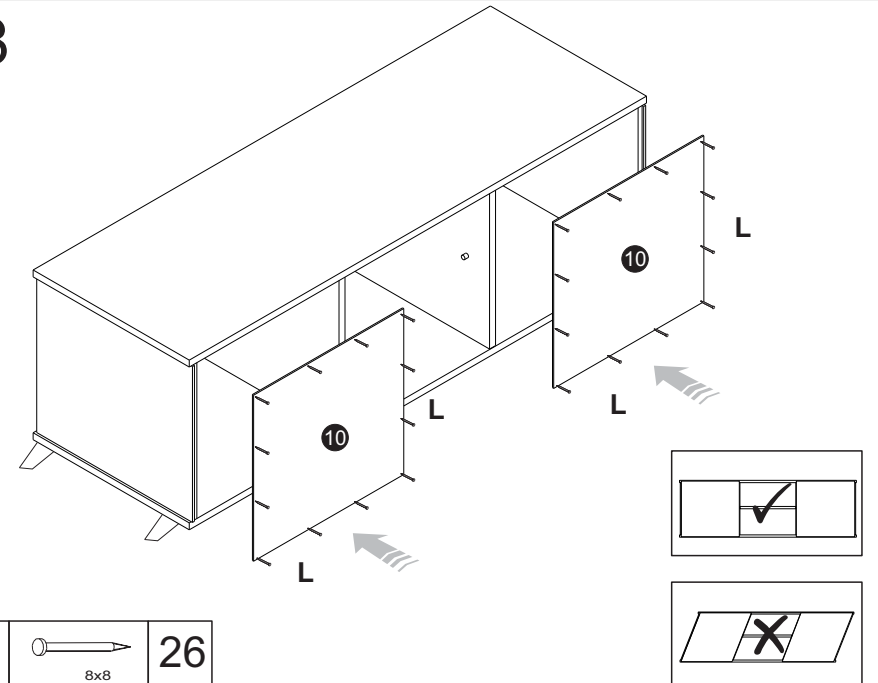
B		8
	$\text{Ø}3,5 \times 16$	


07



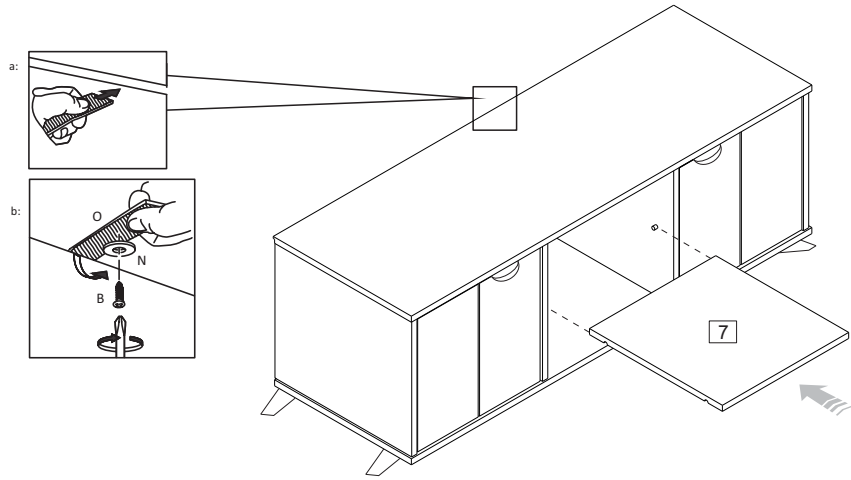
K		8	I		2	J		2
	$\text{Ø}3,5 \times 14$							



08



L		26
	8x8	

09



B	 Ø3,5x16	1	N		2	O		1
----------	--	----------	----------	---	----------	----------	---	----------