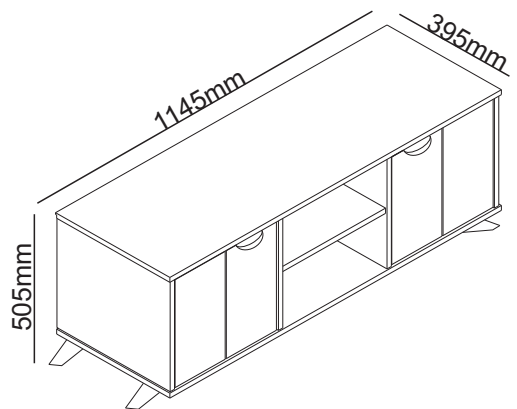
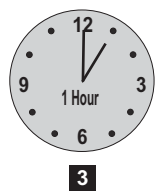
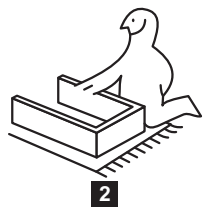
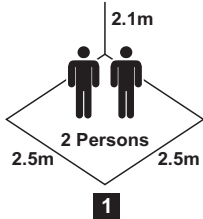


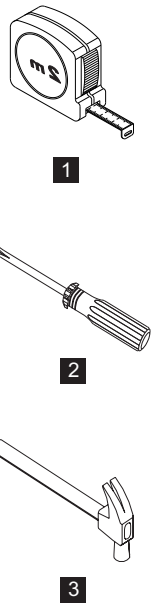
1



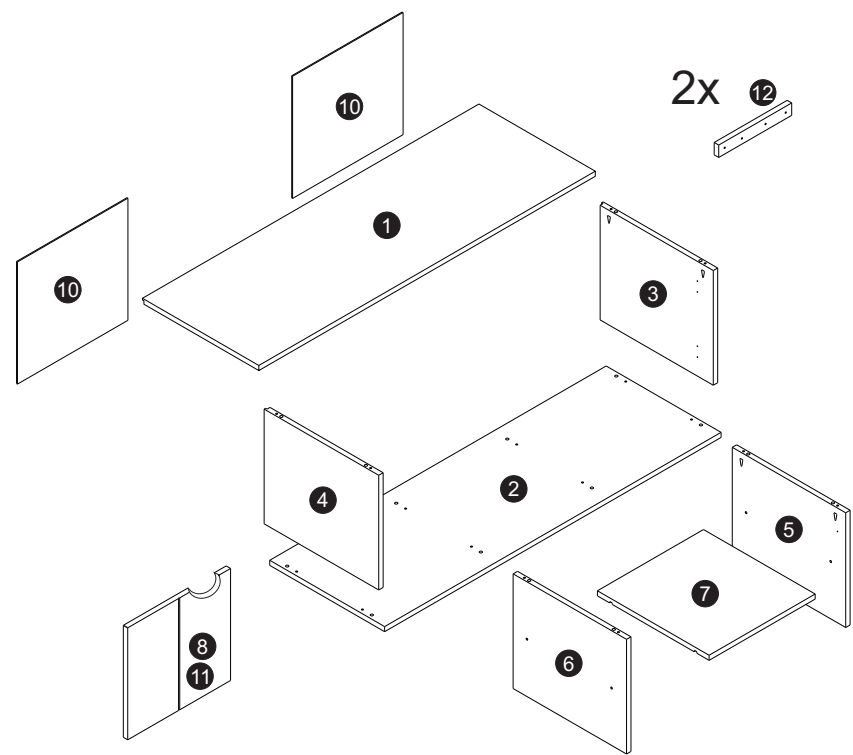
2

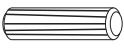
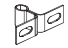








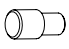

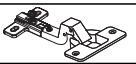

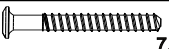


3

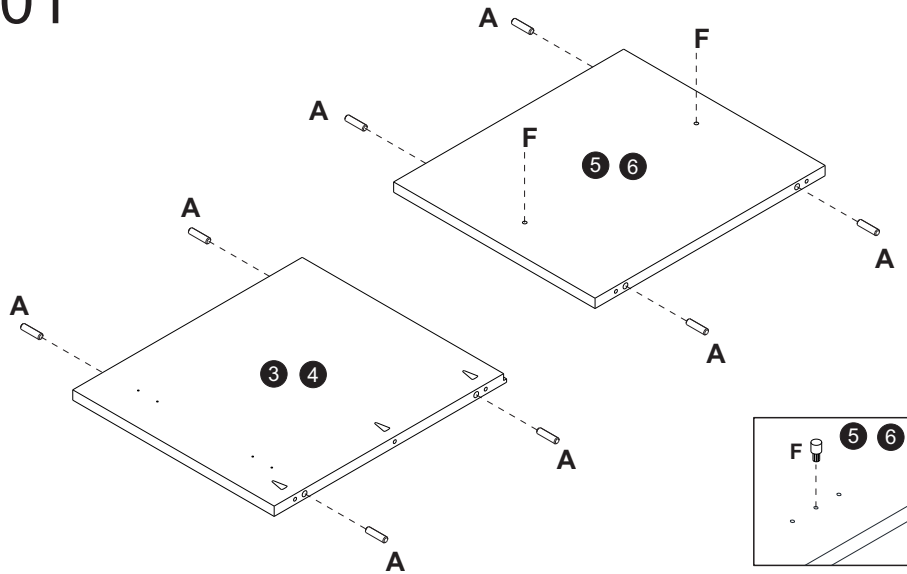


4



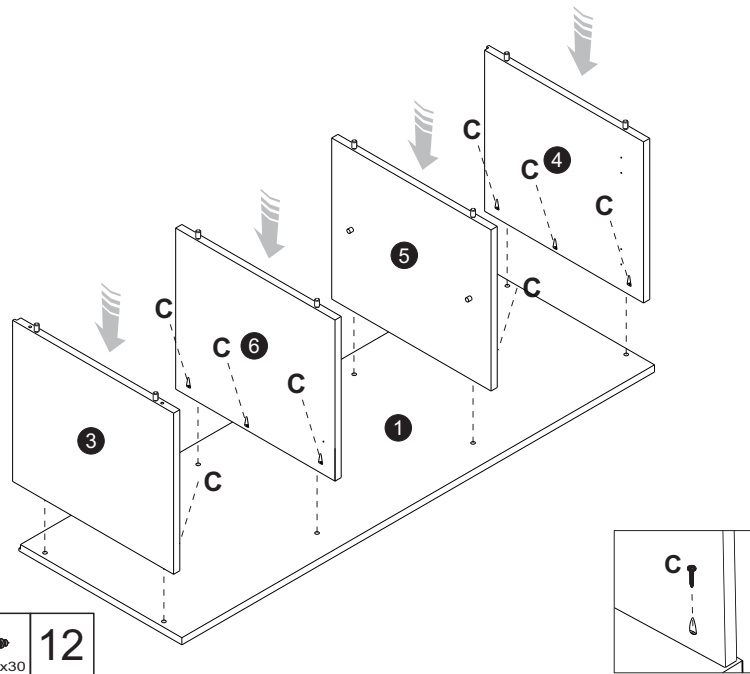
A	 Ø8,0x25	16	I		02
B	 Ø3,5x16	17	J		02
C	 Ø3,5x30	22	K	 3,5x14	8
D	 Ø3,5x35	08	L	 8 x 8	26
E		01	M		04
F		04	N		02
G		04	O		01
H	 7.0 x 60	04			


01



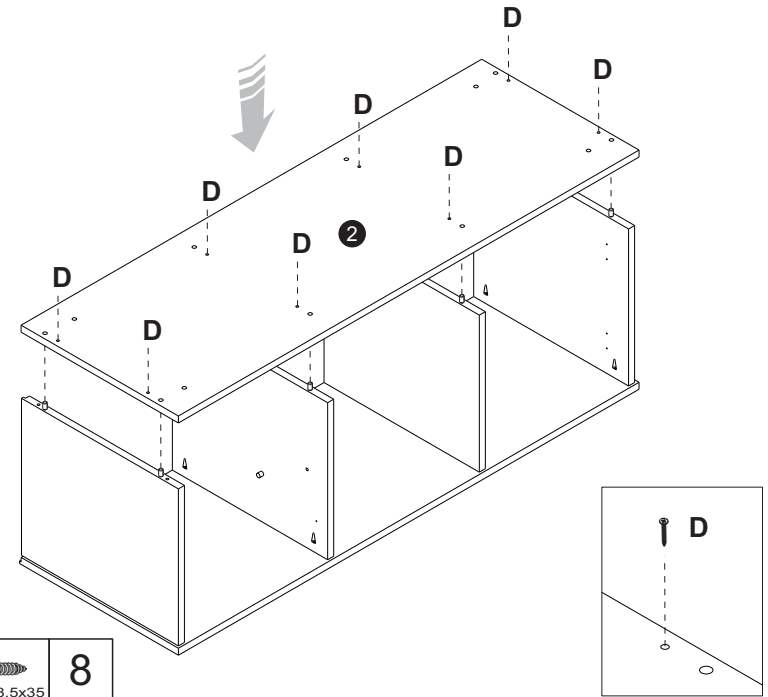
<b>A</b>		16	<b>F</b>		4
	$\text{Ø}8,0 \times 25$				


02



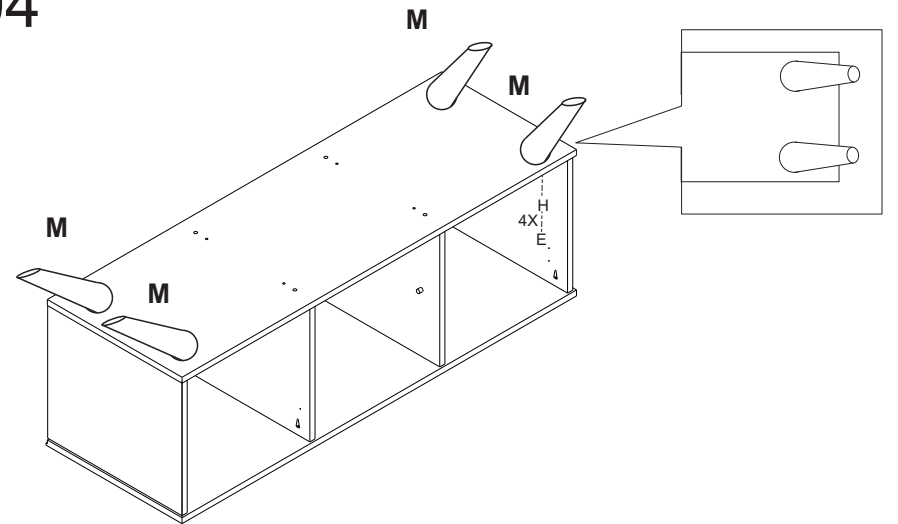
<b>C</b>		12
	$\text{Ø}3,5 \times 30$	

03



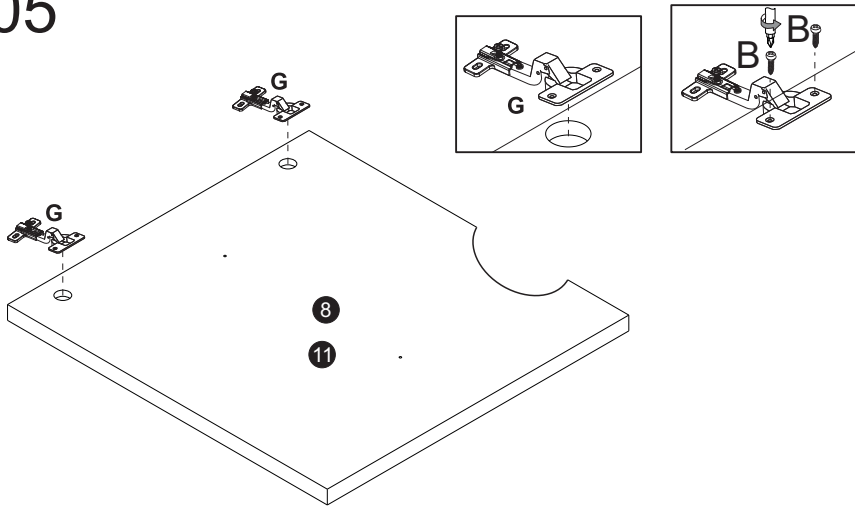
<b>D</b>		8
	$\text{Ø}3,5 \times 35$	



04



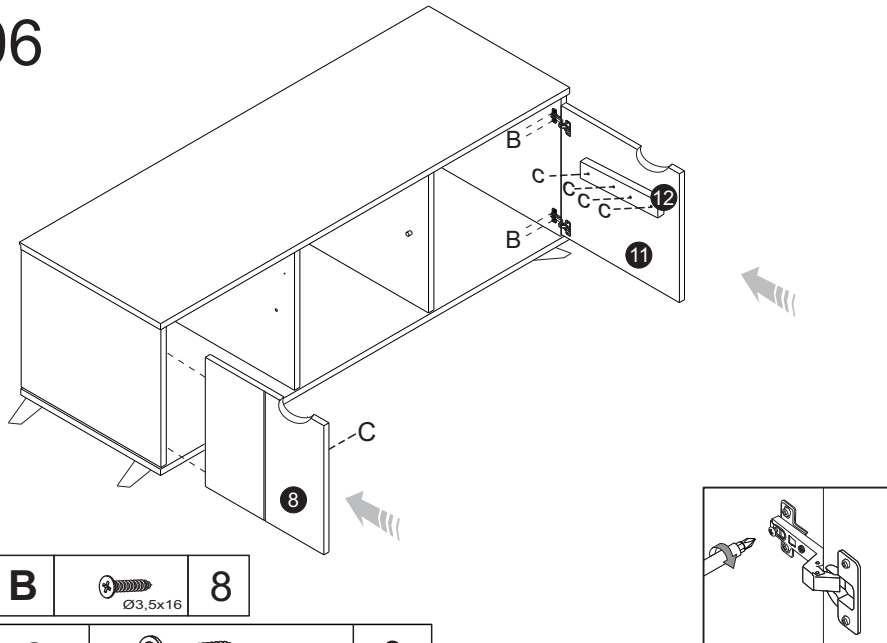
<b>H</b>		4	<b>M</b>		4	<b>E</b>		1
	$7,0 \times 60$							



05



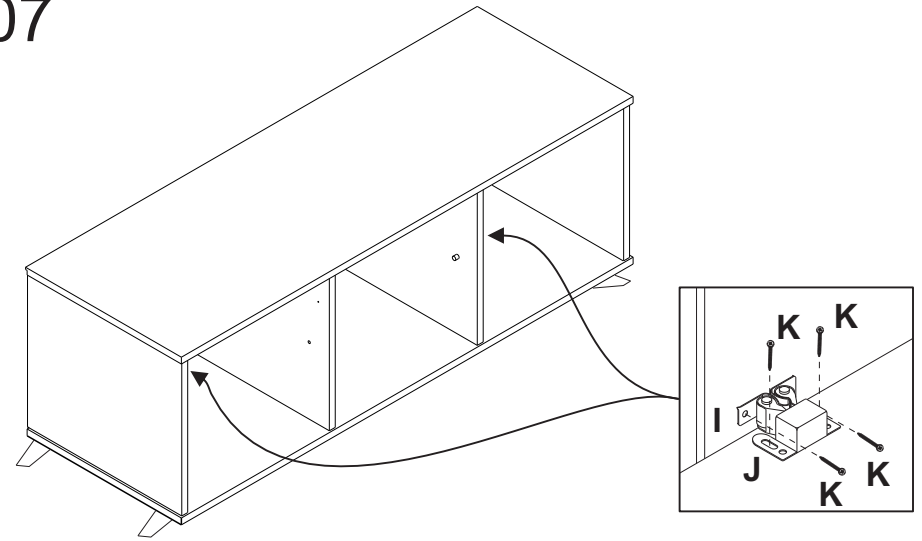
<b>B</b>		8	<b>G</b>		4
		$\text{Ø}3,5 \times 16$			




06



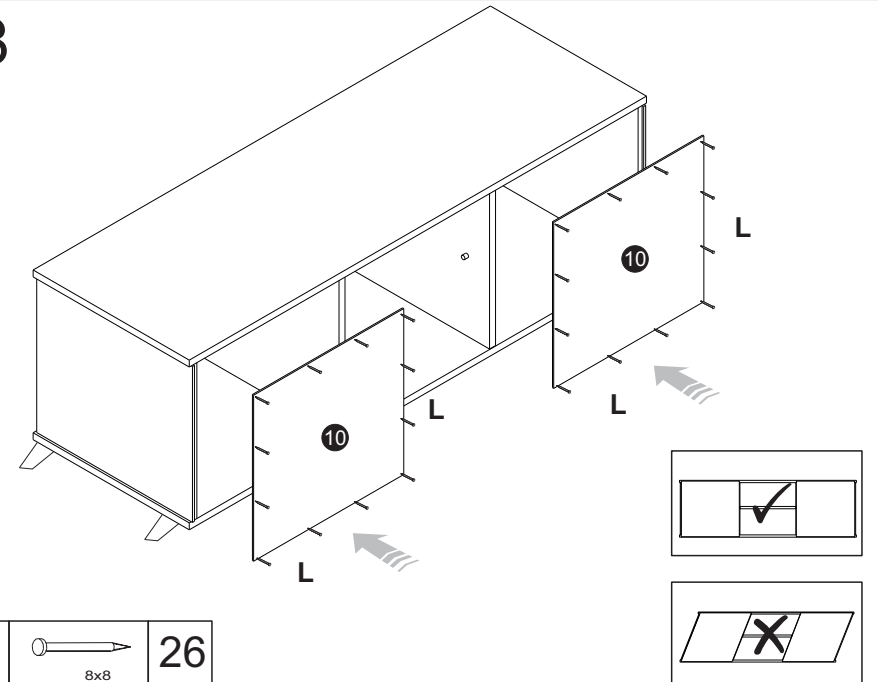
<b>B</b>		8
		$\text{Ø}3,5 \times 16$
<b>C</b>		8
		$\text{Ø}3,5 \times 30$


07



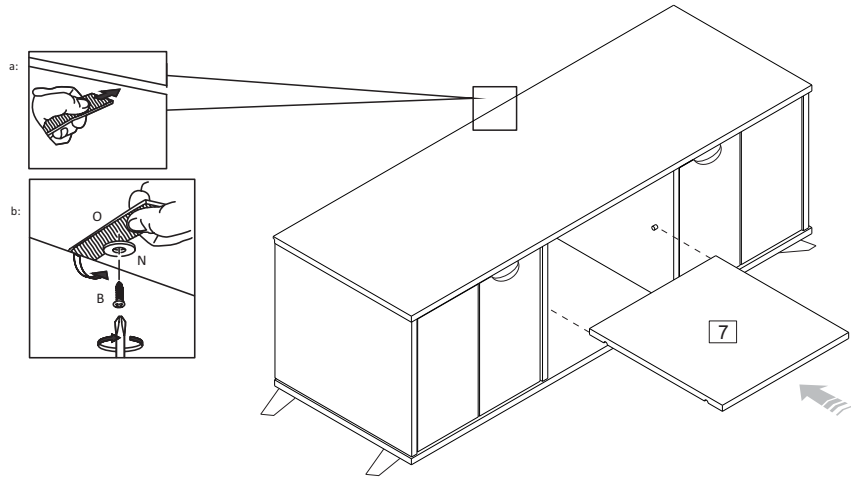
<b>K</b>		8	<b>I</b>		2	<b>J</b>		2
		$\text{Ø}3,5 \times 14$						




08



<b>L</b>		26
		8x8

09



<b>B</b>	 Ø3,5x16	<b>1</b>	<b>N</b>		<b>2</b>	<b>O</b>		<b>1</b>
----------	--	----------	----------	---	----------	----------	---	----------