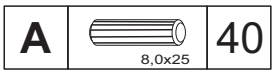
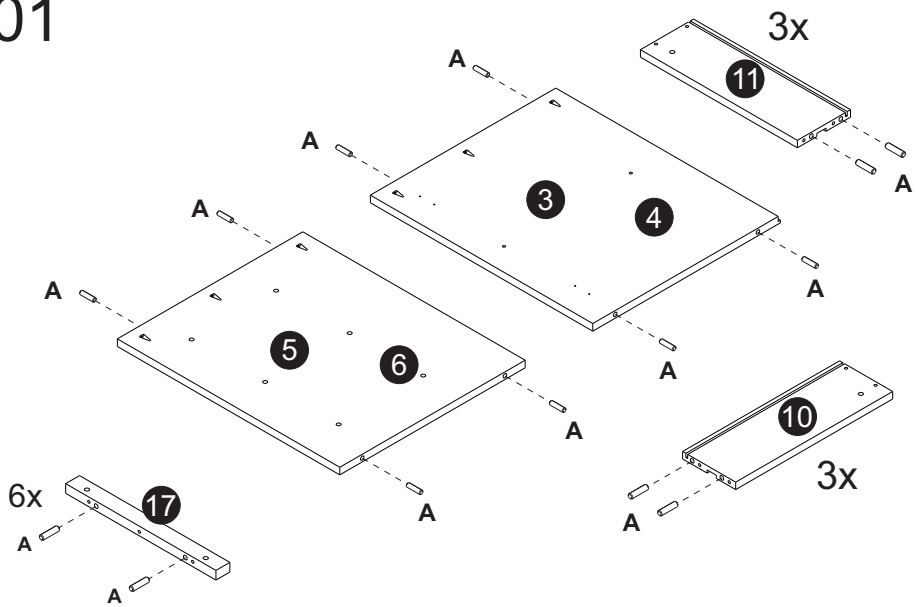
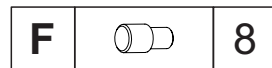
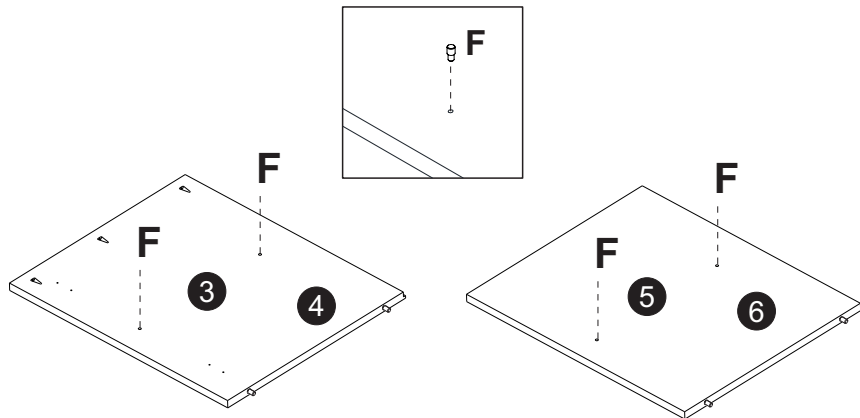


A	8,0x25	46	I		2
B	3,5x16	17	J		1
C	3,5x30	42	K		4
D	3,5x35	20	L	8x8	36
E	2x	1	M	7.0 x 60	4
F		8	N	8X40	6
G		4			
H	3,5x14	8			

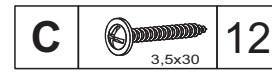
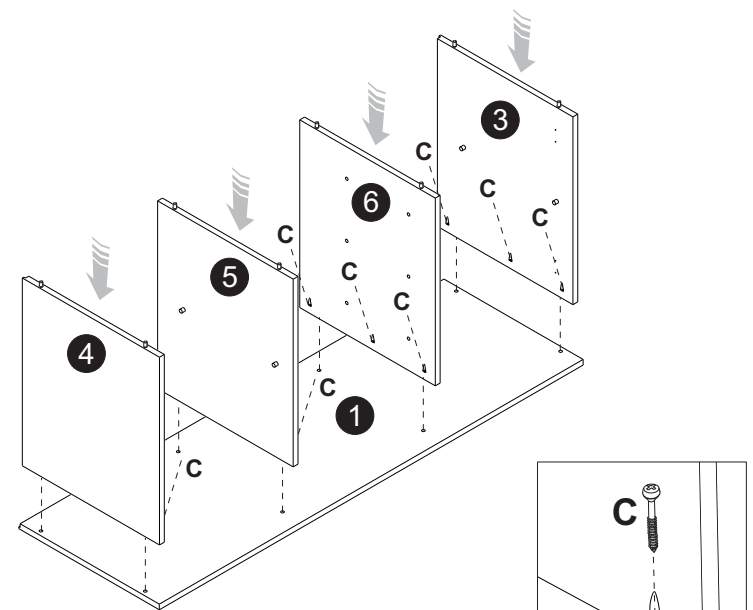
01



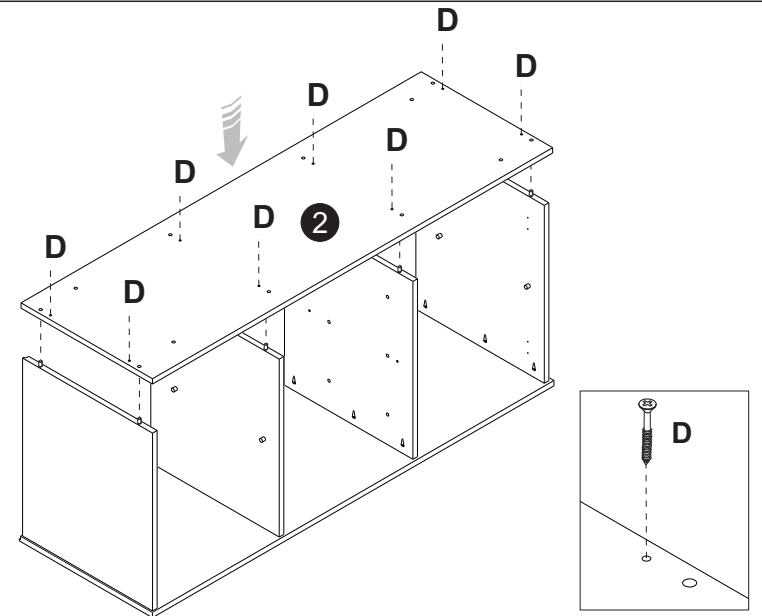
02



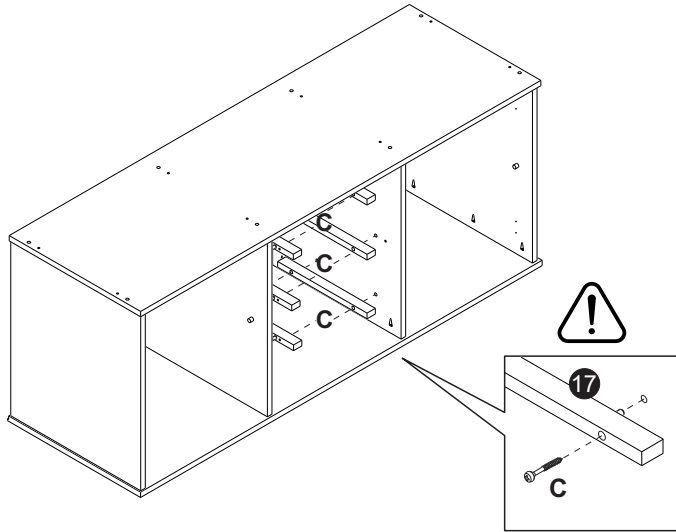
03




04

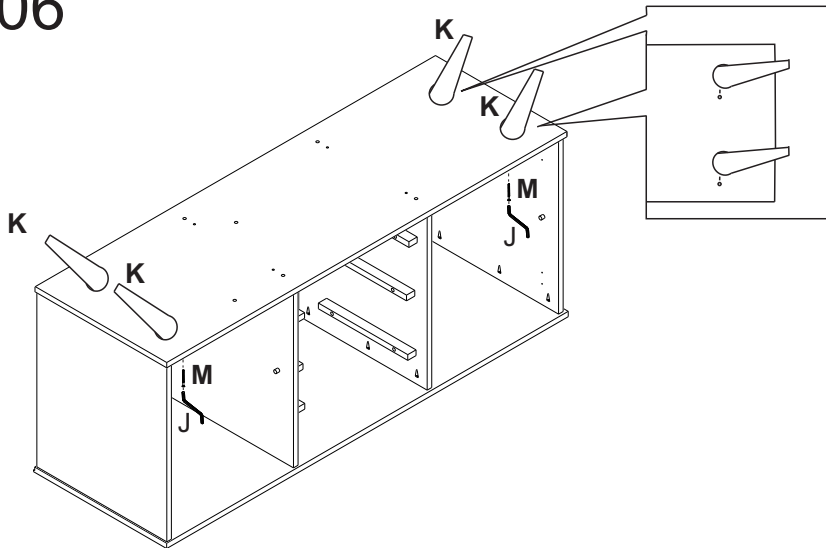


05



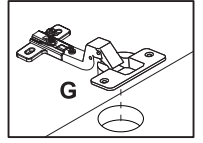
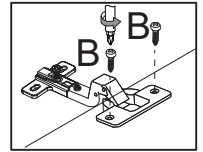
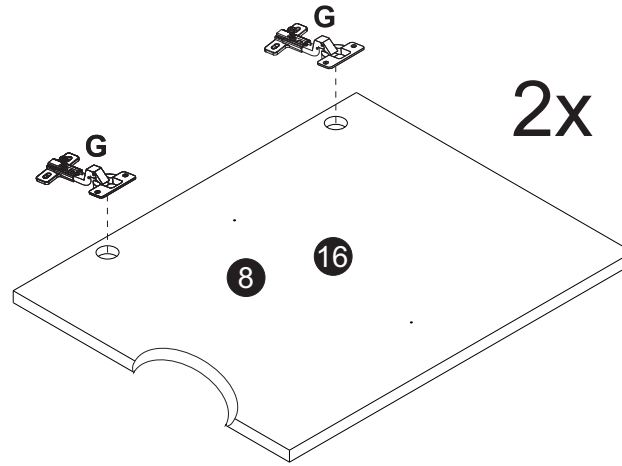
<b>C</b>		3,5x30	18
----------	---	--------	----


06



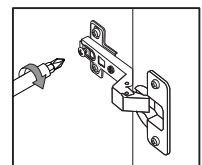
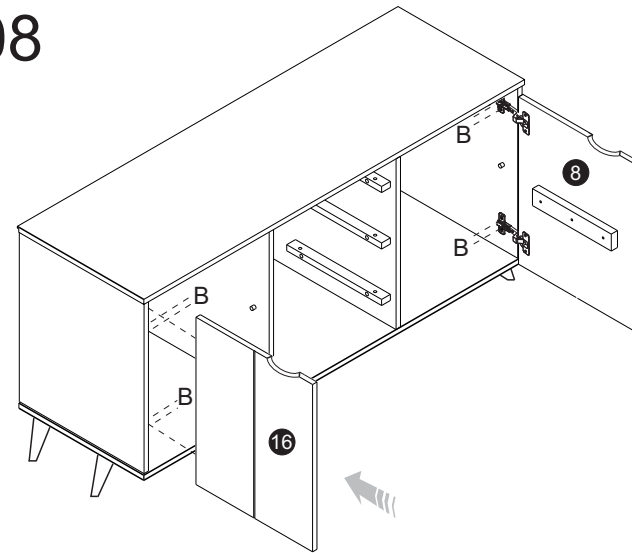
<b>J</b>		1	<b>K</b>		4	<b>M</b>		7,0 x 60	4
----------	---	---	----------	---	---	----------	---	----------	---


07



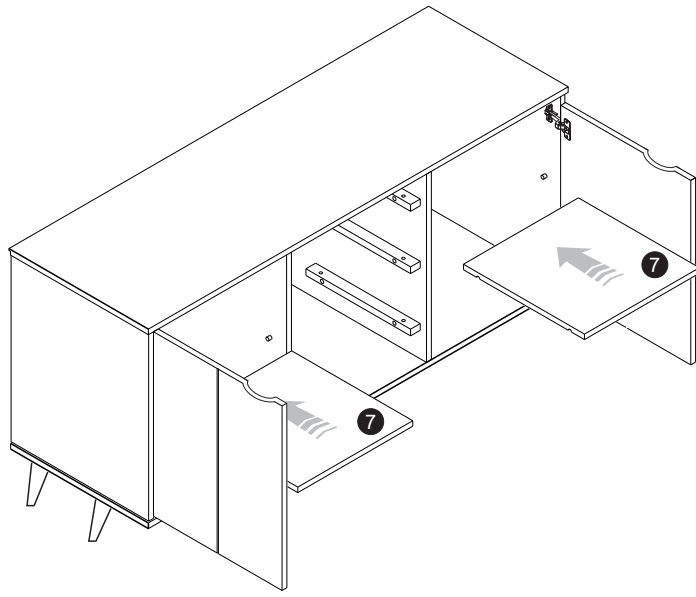
<b>B</b>		3,5x16	8	<b>G</b>		4
----------	---	--------	---	----------	---	---

08

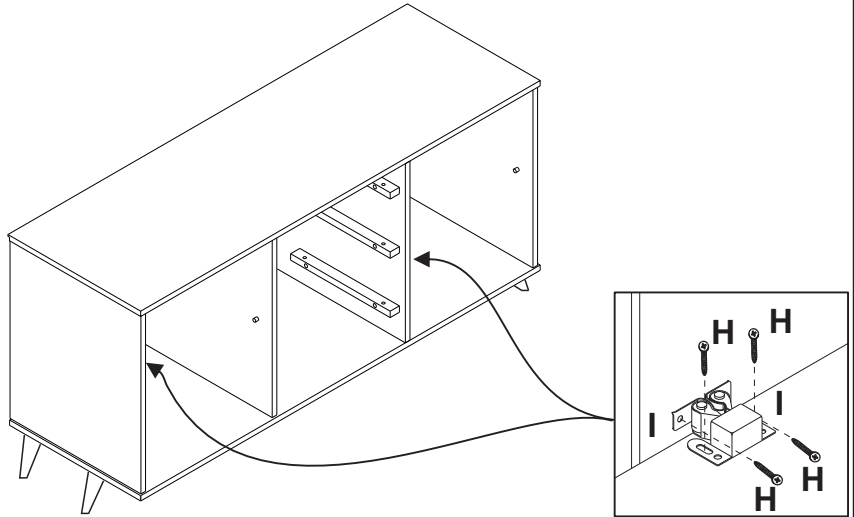


<b>B</b>		Ø3,5x16	8
----------	---	---------	---

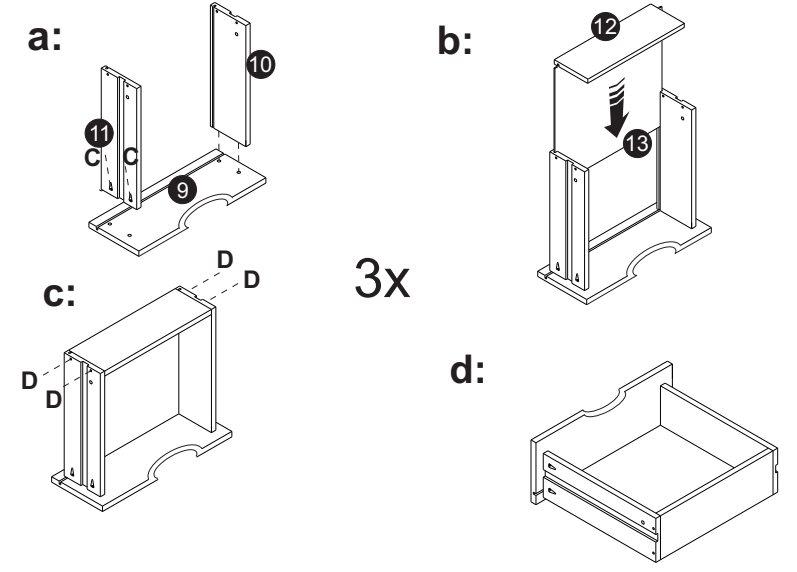
09



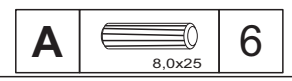
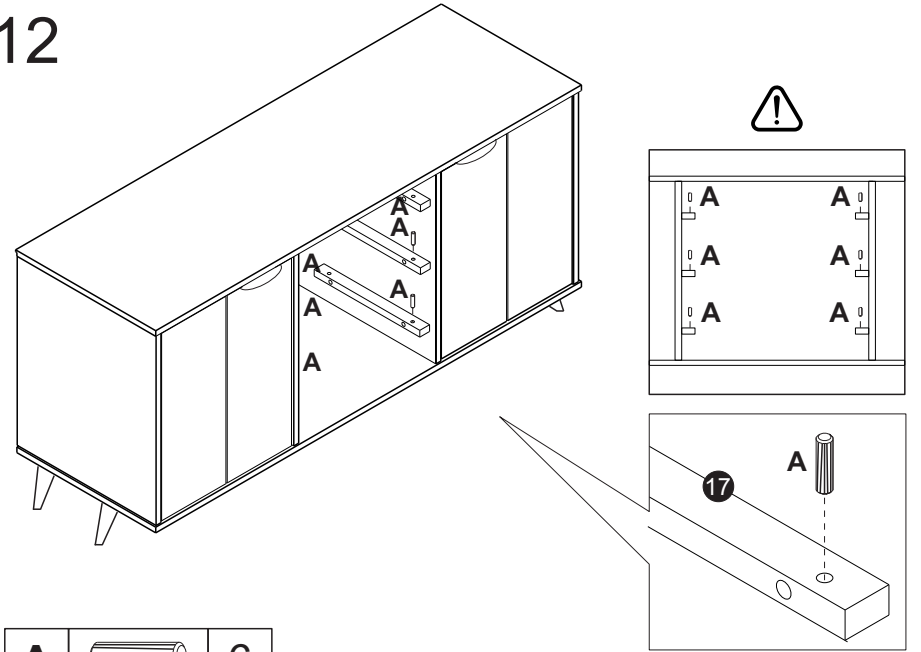
10



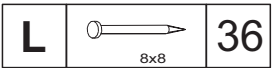
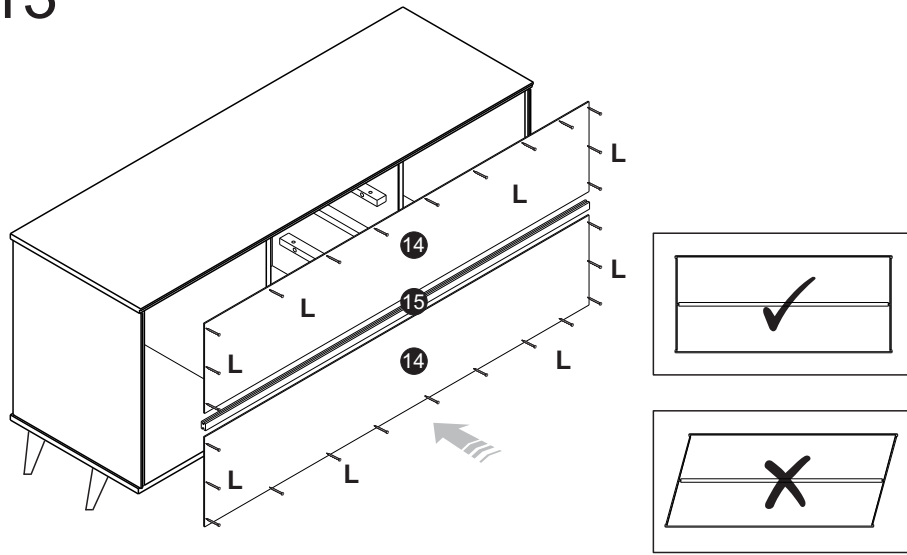
11



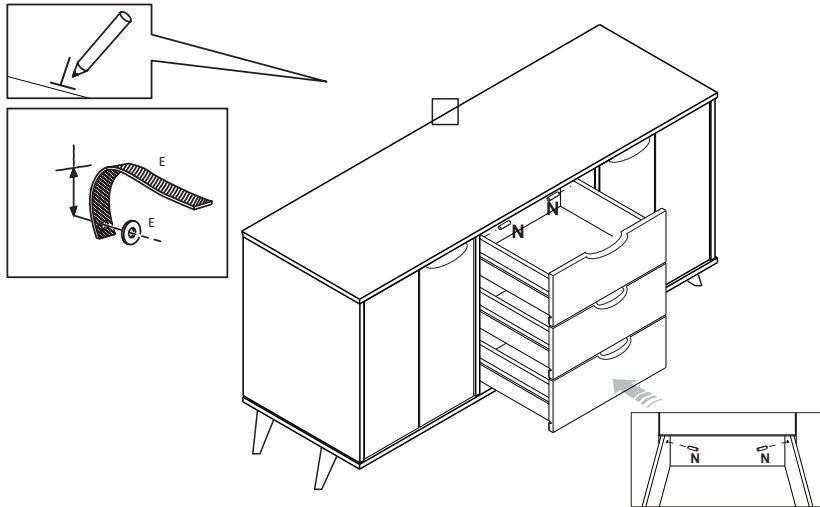
12



13



14



15

