

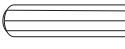












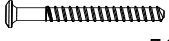
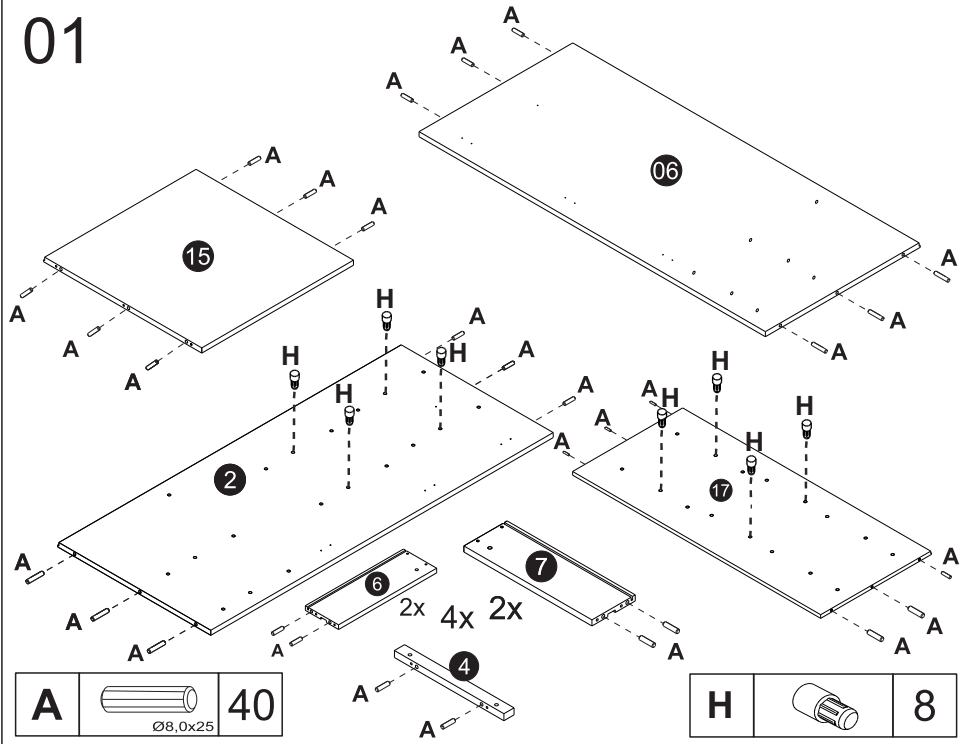
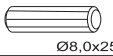
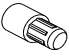


A	 Ø8,0x25	44	I	 Ø25	2
B	 Ø8,0x40	04	J		4
C	 Ø3,5x16	31	K		4
D	 Ø3,5x30	29	L	 Ø3,5x14	16
E	 Ø3,5x35	23	M	 8x8	44
F		1	N		4
G		6	O	 2x	1
H		8	P	 7.0 x 60	4

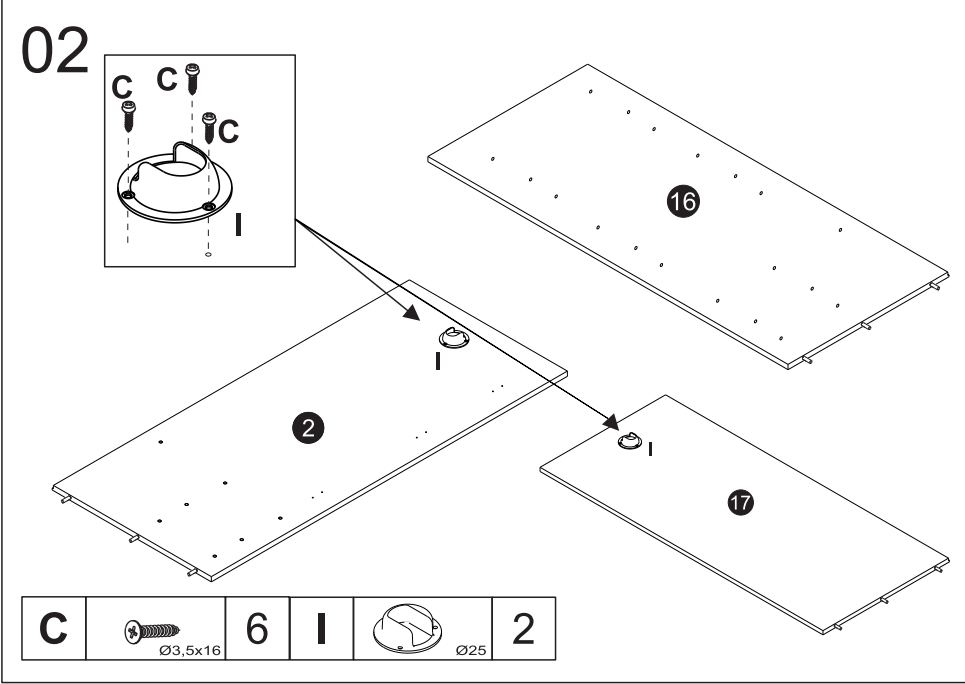
01



A  **40**
Ø8,0x25

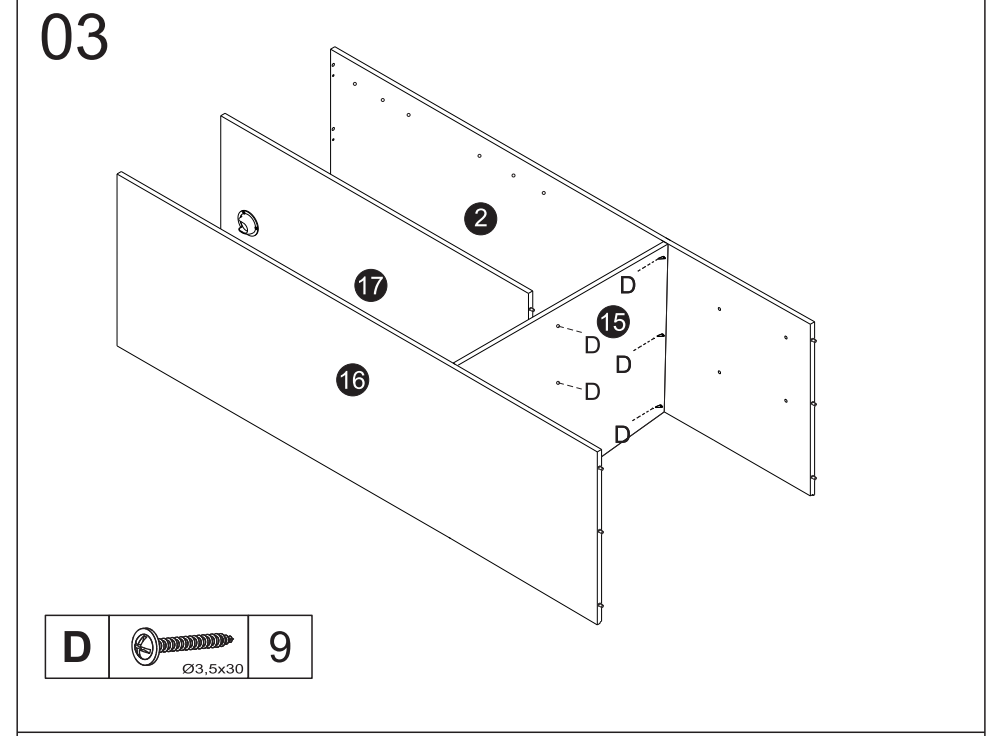
H  **8**


02



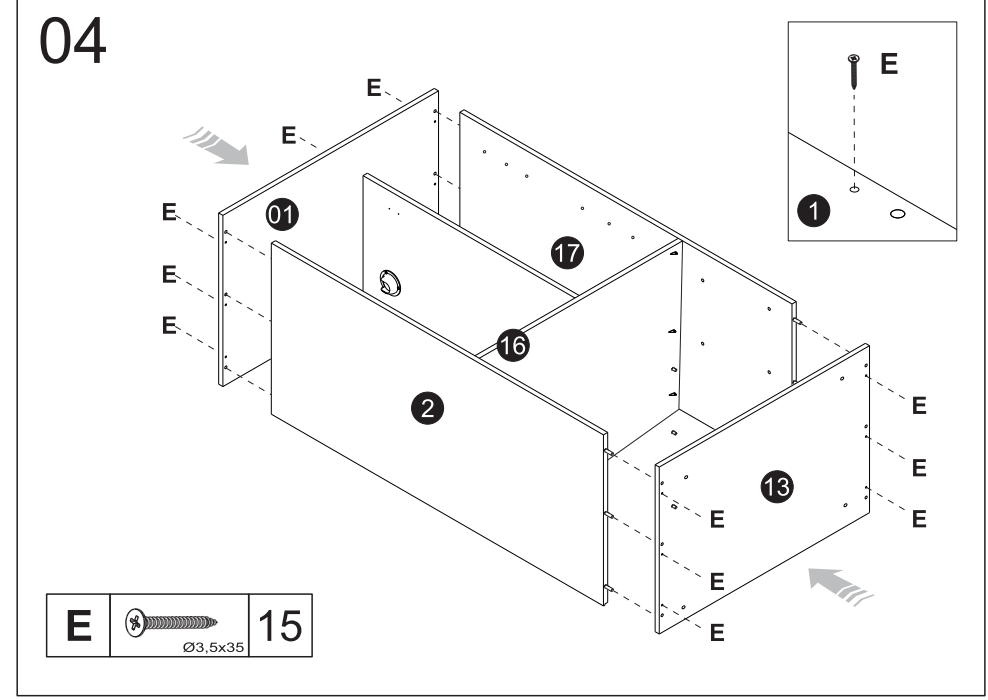
C  **6** **I**  **2**
Ø3,5x16 Ø25


03



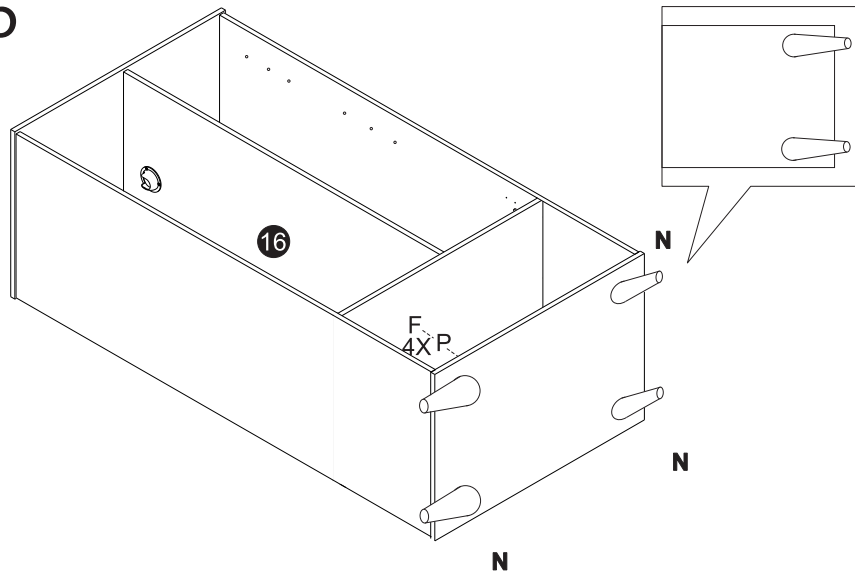
D  **9**
Ø3,5x30

04



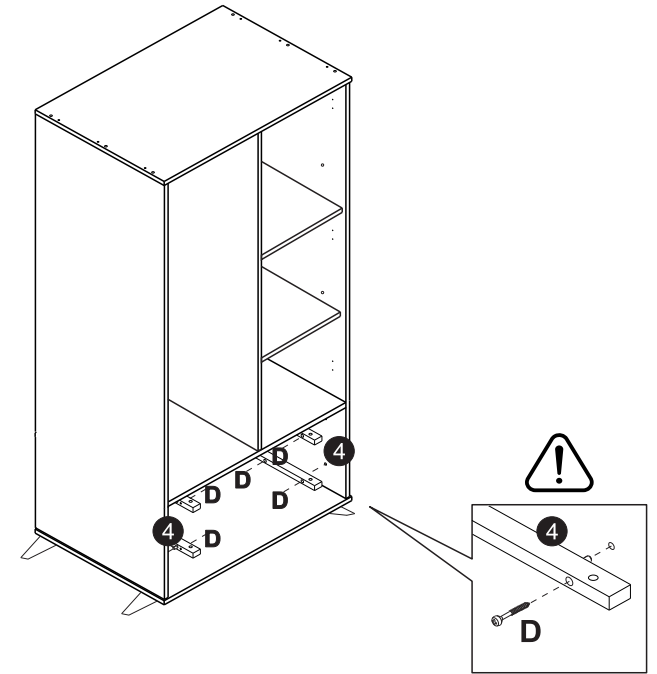
E  **15**
Ø3,5x35


05



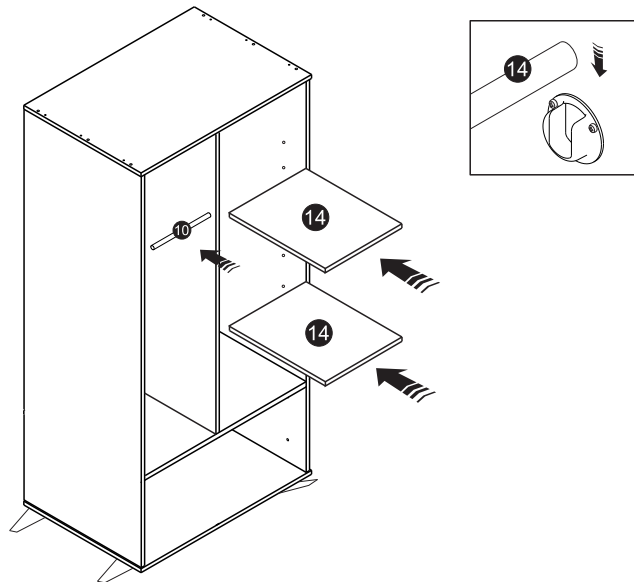
P		4	N		4	F		1
	7.0x80							

07

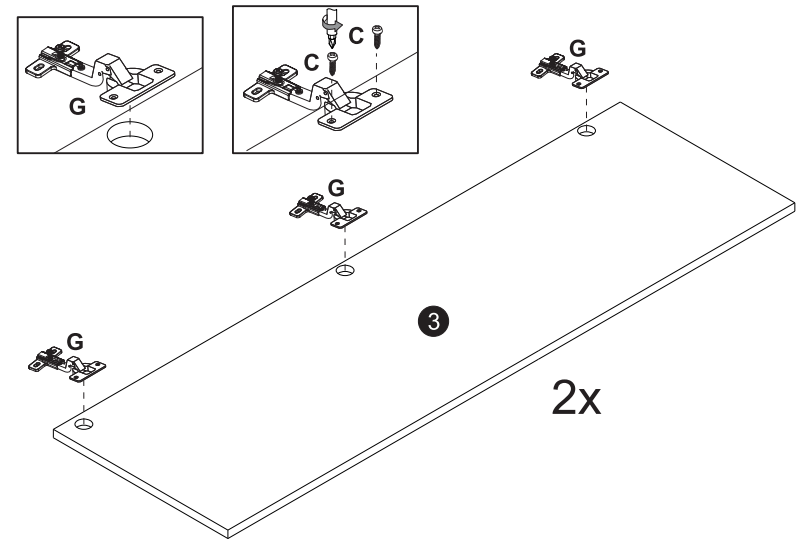




D		12
	Ø3,5x35	

06

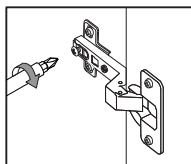
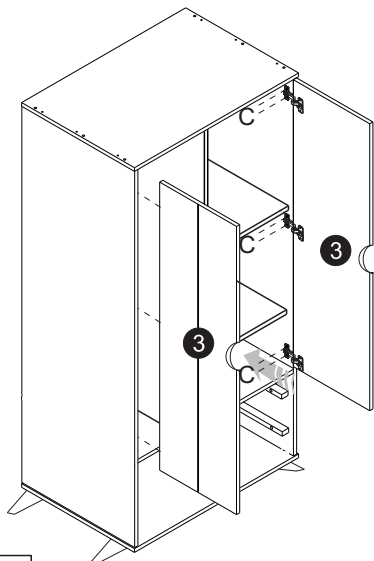


08



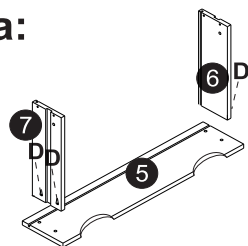
C		12	G		6
	Ø3,5x16				

10

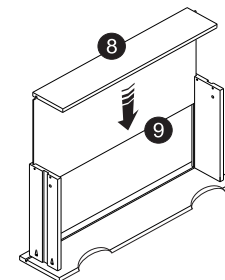


12

a:

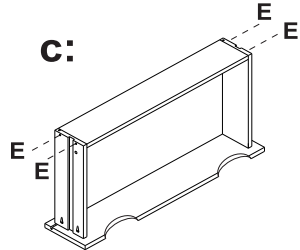


b:

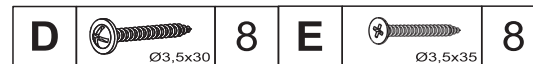
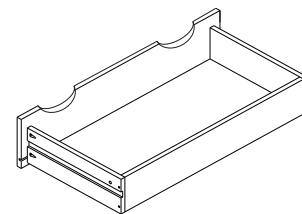


2x

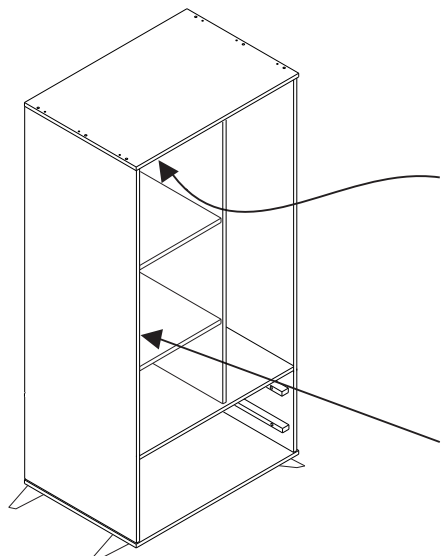
c:



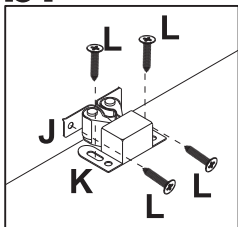
d:



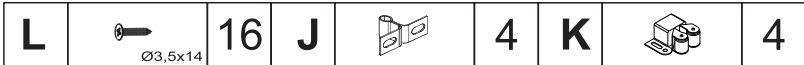
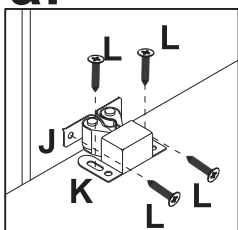
11



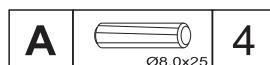
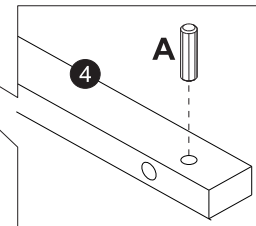
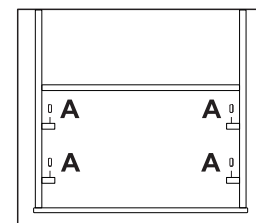
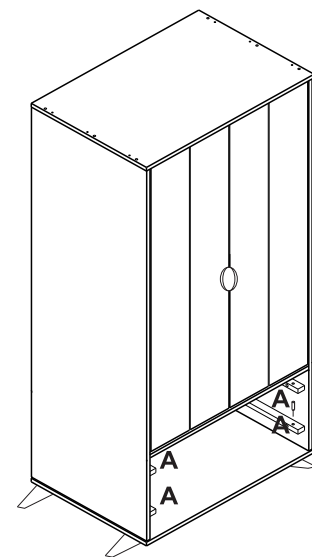
b:



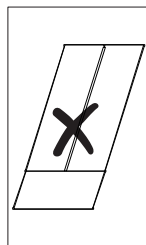
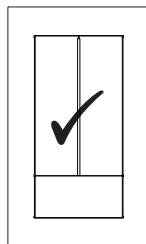
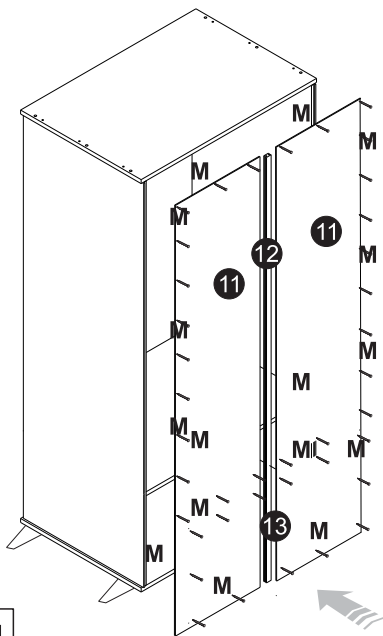
a:

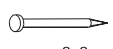


13

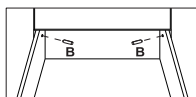
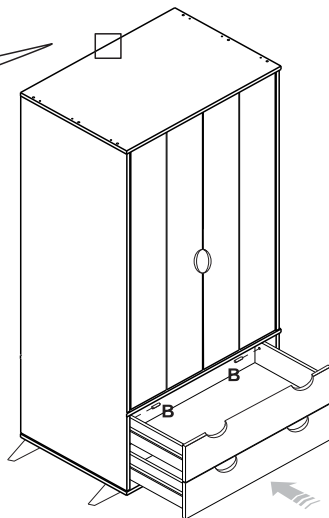
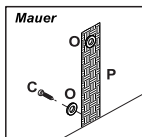


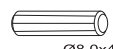


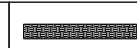
14



M		44
	8x8	

15



B		4						
	Ø8,0x40							
C		1	O		2	P		1
	Ø3,5x16							