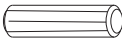







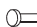
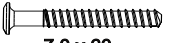
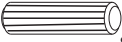
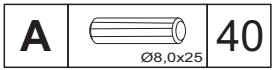
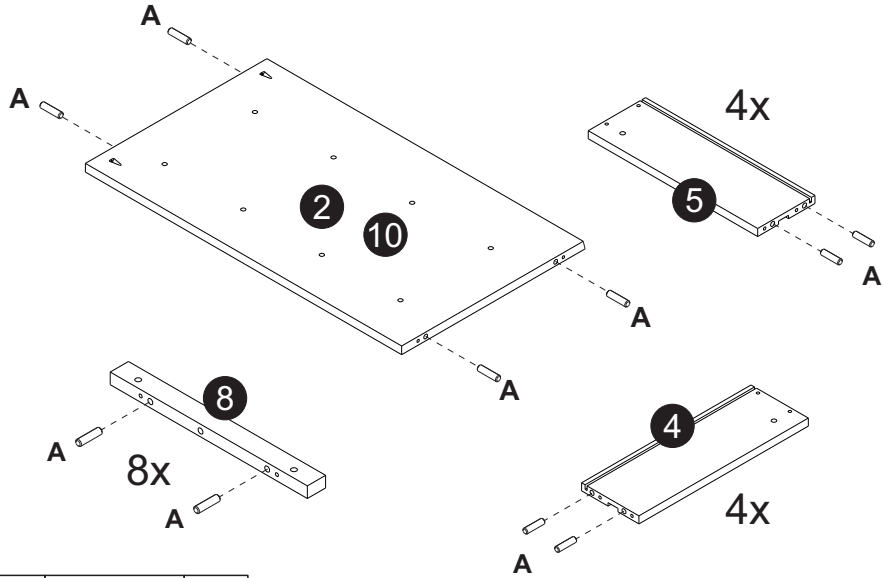
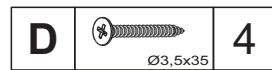
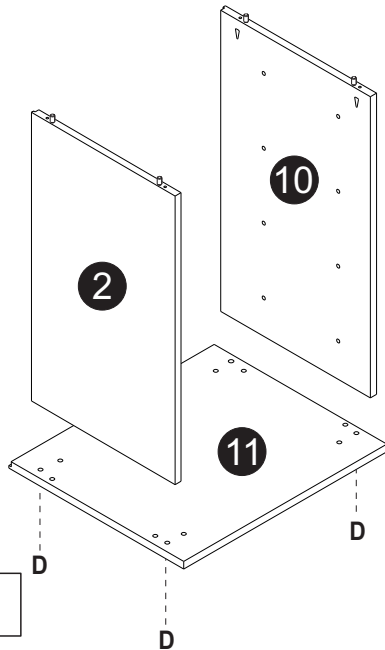


<b>A</b>	 Ø8,0x25	48	<b>F</b>		4
<b>B</b>	 Ø3,5x16	1	<b>G</b>		2
<b>C</b>	 Ø3,5x30	46	<b>H</b>		1
<b>D</b>	 Ø3,5x35	20	<b>I</b>		1
<b>E</b>	 8x8	26	<b>J</b>	 7.0 x 60	4
			<b>K</b>	 8X40	8

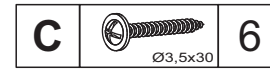
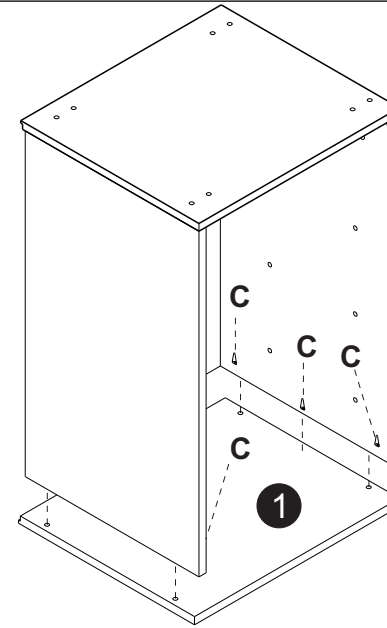
01



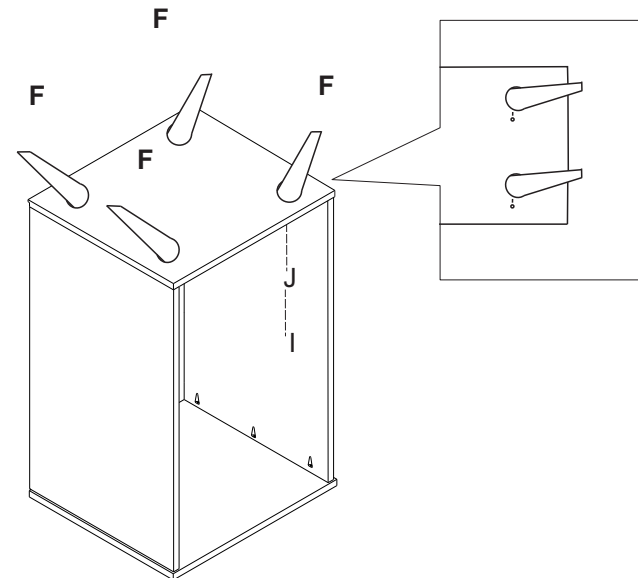
02



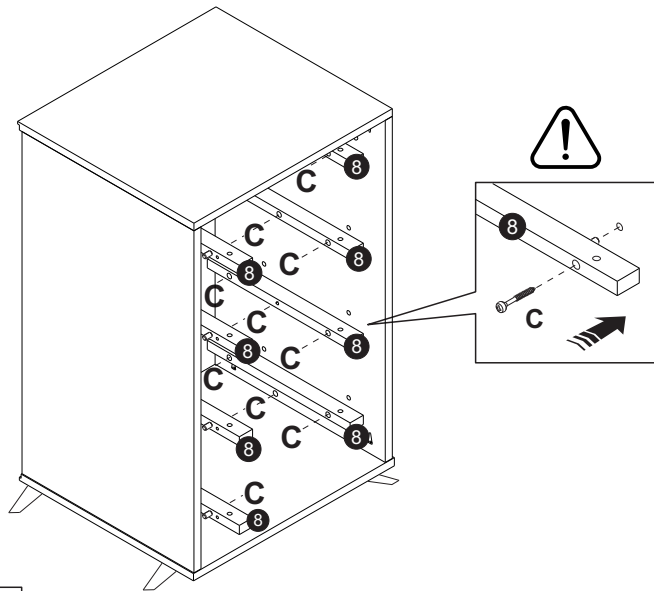
03



04

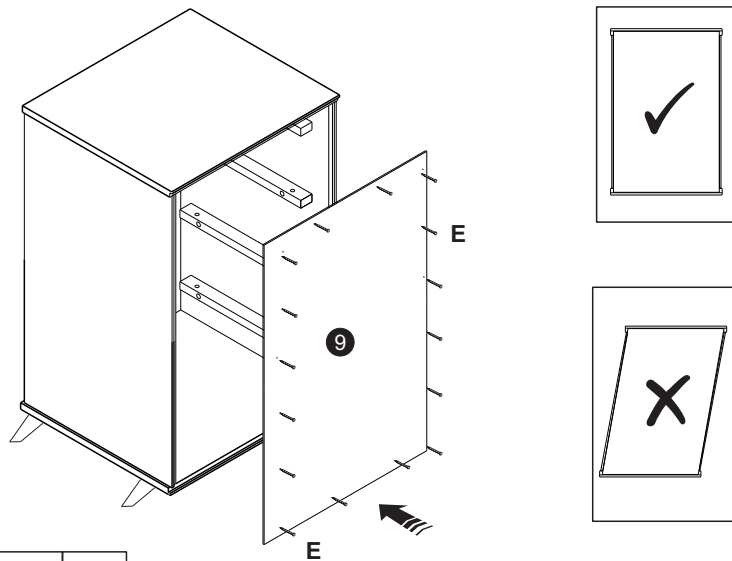



05



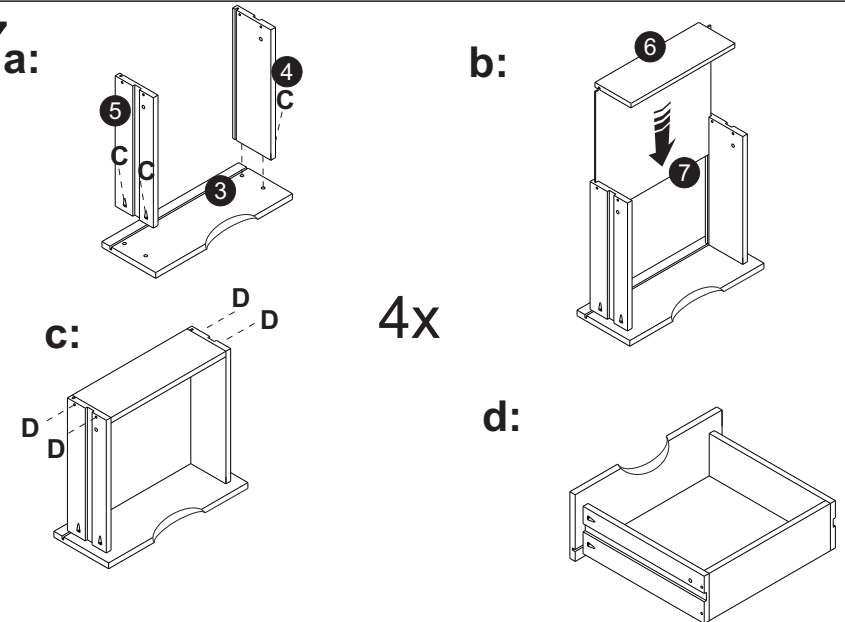
<b>C</b>		<b>24</b>
<small>Ø3,5x30</small>		



06



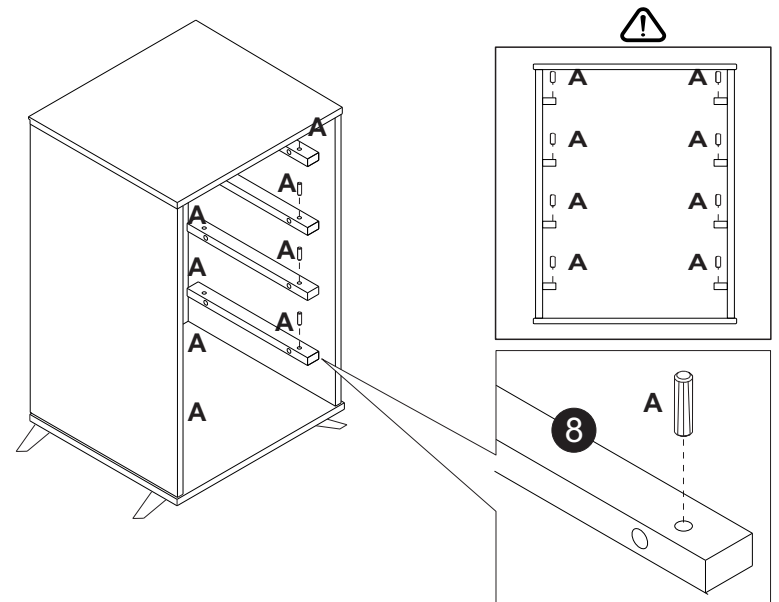
<b>E</b>		<b>26</b>
<small>8x8</small>		

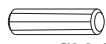
07a:



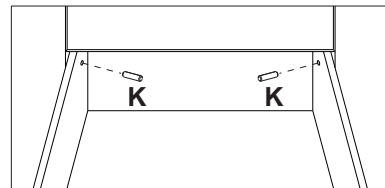
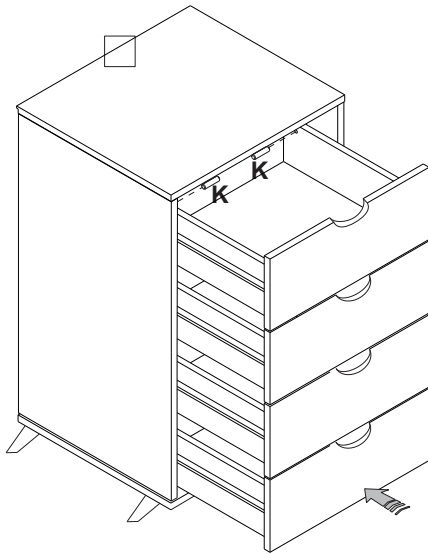
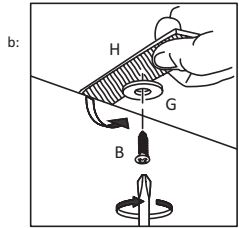
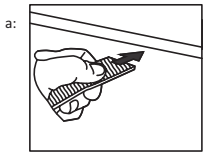
<b>C</b>		<b>16</b>	<b>D</b>		<b>16</b>
<small>Ø3,5x30</small>					

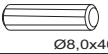



08



<b>A</b>		<b>8</b>
<small>Ø8,0x25</small>		

# 09



<b>K</b>		<b>8</b>						
<b>B</b>		<b>1</b>	<b>G</b>		<b>2</b>	<b>H</b>		<b>1</b>